

OCR10-M39801EN

# Contents

OCR10-M39801

Fig. No. Fig. Name

## L40AE/L48AE-D/S

1. CYLINDER BLOCK
2. CYLINDER HEAD & BONNET
3. AIR CLEANER & MUFFLER
4. CAM/CRANK/BARANCER SHAFT
5. PISTON & ROD
6. L.O. DEVICE & GOVERNOR CONTROL
7. COOLING & RECOIL STARTER
8. FUEL INJECTION PUMP & VALVE
9. FUEL INJECTION PUMP & VALVE
10. FUEL TANK & FUEL PIPE
11. FUEL TANK & FUEL PIPE
12. STARTING MOTOR & DYNAMO
13. STARTING MOTOR & DYNAMO
14. TOOLS / LABELS & GASKET SET

## L60AE/L70AE-D/S

15. CYLINDER BLOCK
16. CYLINDER HEAD & BONNET
17. AIR CLEANER & MUFFLER
18. CAM/CRANK/BARANCER SHAFT
19. PISTON & ROD
20. L.O. DEVICE & GOVERNOR CONTROL
21. COOLING & RECOIL STARTER
22. FUEL INJECTION PUMP & VALVE

Fig. No. Fig. Name

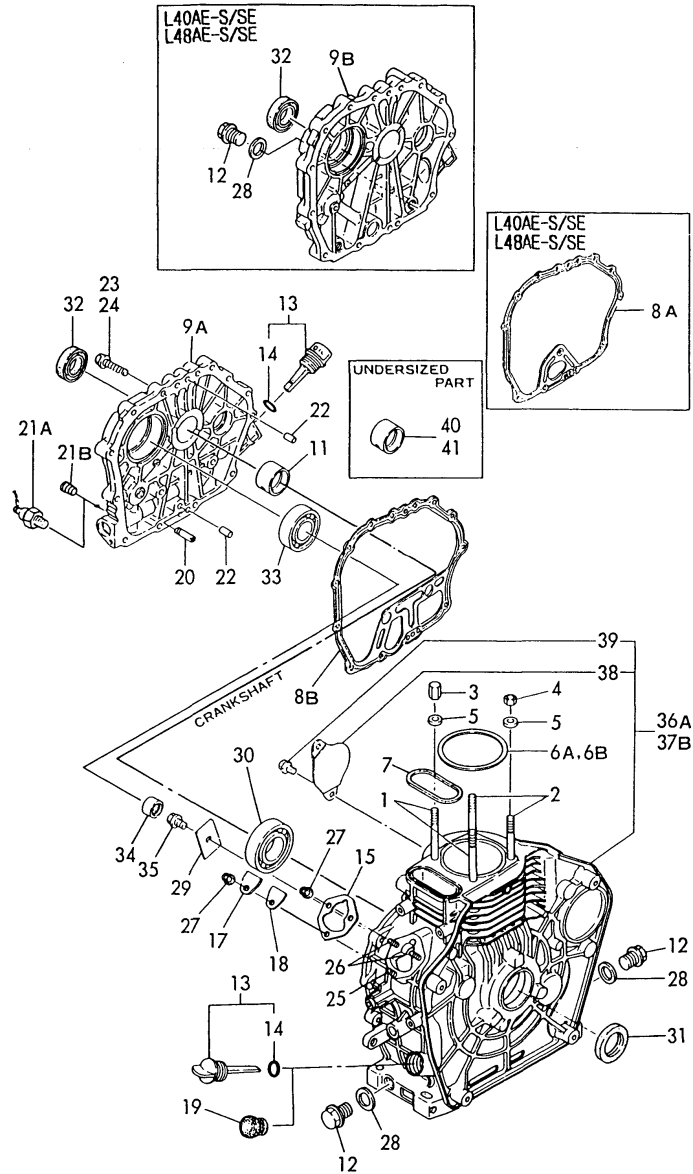
23. FUEL INJECTION PUMP & VALVE
24. FUEL TANK & FUEL PIPE
25. FUEL TANK & FUEL PIPE
26. STARTING MOTOR & DYNAMO
27. STARTING MOTOR & DYNAMO
28. TOOLS / LABELS & GASKET SET

## L75/90/100AE-D/S

29. CYLINDER BLOCK
30. CYLINDER HEAD & BONNET
31. AIR CLEANER & MUFFLER
32. CAM/CRANK SHAFT & PISTON/ROD
33. L.O. DEVICE & GOVERNOR CONTROL
34. COOLING & RECOIL STARTER
35. FUEL INJECTION PUMP & VALVE
36. FUEL INJECTION PUMP & VALVE
37. FUEL TANK & FUEL PIPE
38. FUEL TANK & FUEL PIPE
39. STARTING MOTOR & DYNAMO
40. STARTING MOTOR & DYNAMO
41. TOOLS / LABELS & GASKET SET

Fig.1. CYLINDER BLOCK

Fig. 1 CYLINDER BLOCK



(A)= (D)=  
 (B)=L40AE-D/DE (E)=L40AE-S/SE  
 (C)=L48AE-D/DE (F)=L48AE-S/SE

No.	Lev.	Parts No.	Description	Q'ty						I	R
				(A)	(B)	(C)	(D)	(E)	(F)		
1	1	114250-01200	STUD, CYL. HEAD	2	2		2	2			
2	1	114250-01210	STUD, CYL. HEAD	2	2		2	2			
3	1	114250-01220	NUT 8	2	2		2	2			
4	1	114250-01250	NUT 8	2	2		2	2			
5	1	124950-01250	WASHER	4	4		4	4			
6A	1	114250-01340	GASKET, CYL. HEAD	1				1			
6B	1	114770-01340	GASKET, CYL. HEAD			1				1	
7	1	114250-01380	O-RING	1	1			1	1		
8A	1	114250-01411	GASKET, CRANK CASE					1	1		
8B	1	114250-01412	GASKET, CRANK CASE	1	1						
9A	1	114260-01453	COVER (D),CRANK CASE	1	1						
9B	1	114250-01452	COVER (S),CRANK CASE						1	1	
11	1	114250-02100	BEARING, MAIN	1	1			1	1		
12	1	105425-01690	PLUG M16	2	2			3	3		
13	1	160710-01760	CAP, W/LUB.OIL GAUGE	2	2			2	2		
14	2	24311-000180	O-RING 1A P-18.0	2	2			2	2		
15	1	114250-01800	SHIM SET	1	1			1	1		
17	1	114250-01830	COVER, INSPEC.WINDOW	1	1			1	1		
18	1	114250-01840	GASKET	1	1			1	1		
19	1	160110-01870	PLUG, RUBBER W/SCREW	1	1			1	1		
20	1	114250-35150	PIPE, L.O. INLET	1	1						
21A	1	183250-39450	SENDER, OIL PRESSURE	1						Y	
21B	1	23871-010000	PLUG PT1/8,SCREW	1	1			1	1		
22	1	22312-080120	PARALLEL PIN 8X12	2	2			2	2		
23	1	26106-060252	BOLT M 6X 25 PLATED	14	14			14	14		
24	1	26106-080352	BOLT M 8X 35 PLATED	1	1			1	1		
25	1	26226-060182	STUD M 6X 18 PLATED	1	1			1	1		
26	1	26226-060222	STUD M 6X 22 PLATED	2	2			2	2		
27	1	26366-060002	NUT M 6	3	3			3	3		
28	1	43400-500490	SEAL WASHER 16	4	4			3	3		
29	1	114250-02030	RETAINER, BEARING	1	1			1	1		
30	1	114250-02113	BALL BEARING	1	1			1	1		
31	1	160110-02220	SEAL, OIL	1	1			1	1		
32	1	160210-02220	SEAL, OIL	1	1			1	1		
33	1	24101-062050	BALL BEARING	1	1			1	1		
34	1	24162-152112	NEEDLE BEARING	1	1			1	1		
35	1	26106-080122	BOLT M 8X 12 PLATED	1	1			1	1		
36A	1	714271-01560	BLOCK ASSY, CYLINDER	1				1			
36B	1	714771-01560	BLOCK ASSY, CYLINDER			1			1		
38	2	114350-01700	COVER, STARTER	1	1			1	1		
39	2	26106-100122	BOLT M10X 12 PLATED	2	2			2	2		
40	1	114250-02200	MAIN BEARING US=0.25	1	1			1	1	H	
41	1	114250-02210	MAIN BEARING US=0.50	1	1			1	1	H	

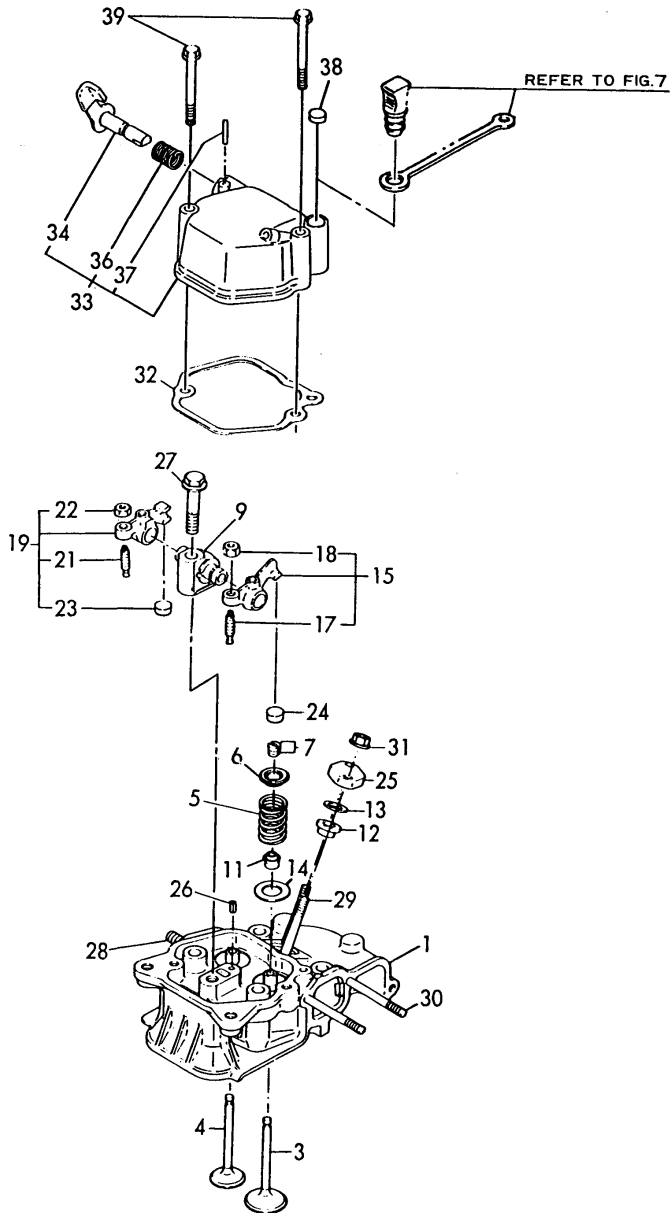
Remarks  
 (Y) FOR L40AE-DGMO/DEGMO  
 (H) UNDER SIZED PARTS

Fig.2. CYLINDER HEAD & BONNET

(A)=  
(B)=L40AE-D/DE  
(C)=L48AE-D/DE

(D)=  
(E)=L40AE-S/SE  
(F)=L48AE-S/SE

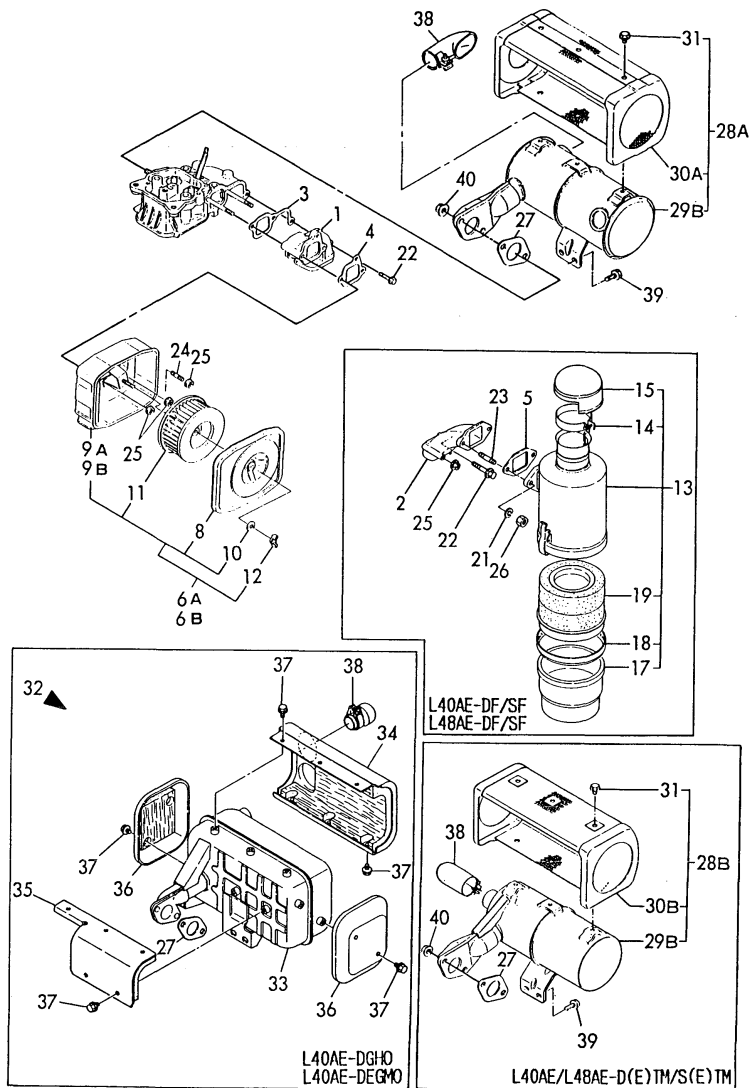
Fig.2 CYLINDER HEAD & BONNET



No.	Lev.	Parts No.	Description	Q'ty						I	R
				(A)	(B)	(C)	(D)	(E)	(F)		
1	1	114250-11020	HEAD ASSY, CYLINDER	1	1			1	1		
3	1	114250-11101	VALVE, SUCTION		1	1		1	1		
4	1	114250-11113	VALVE, EXHAUST		1	1		1	1		
5	1	114250-11120	SPRING, VALVE		2	2		2	2		
6	1	114250-11180	RETAINER, SPRING		2	2		2	2		
7	1	714250-11570	COTTER		2	2		2	2		
9	1	114250-11290	SUPPORT, ROCKER ARM		1	1		1	1		
11	1	114250-11340	SEAL, VALVE STEM		2	2		2	2		
12	1	114250-11460	GASKET, NOZZLE		1	1		1	1		
13	1	114350-11470	SPACER, NOZZLE		1	1		1	1		
14	1	114250-11600	WASHER		2	2		2	2		
15	1	114250-11651	ARM ASSY, INTAKE		1	1		1	1		
17	2	114250-11240	SCREW, VALVE ADJUST.		1	1		1	1		
18	2	26756-060002	LOCK NUT 6		1	1		1	1		
19	1	714270-11660	ARM ASSY, EXHAUST		1	1		1	1		
21	3	114250-11240	SCREW, VALVE ADJUST.		1	1		1	1		
22	3	26756-060002	LOCK NUT 6		1	1		1	1		
23	2	119260-11370	CAP, VALVE		1	1		1	1		
24	1	119260-11370	CAP, VALVE		1	1		1	1		
25	1	114250-11900	RETAINER, NOZZLE		1	1		1	1		
26	1	22351-040008	SPRING PIN 4X 8		1	1		1	1		
27	1	26106-080452	BOLT M 8X 45 PLATED		1	1		1	1		
28	1	26216-080182	STUD M 8X 18 PLATED		2	2		2	2		
29	1	26226-060502	STUD M 6X 50		2	2		2	2		
30	1	26226-060552	STUD M6X 55 PLATED		2	2		2	2		
31	1	26366-060002	NUT M 6		2	2		2	2		
32	1	114250-11310	GASKET, BONNET		1	1		1	1		
33	1	114250-11951	BONNET ASSY, HEAD		1	1		1	1		
34	2	114250-03591	SHAFT ASSY, DECOMP.		1	1		1	1		
36	2	114250-03640	SPRING		1	1		1	1		
37	2	22312-030160	PARALLEL PIN 3X16		1	1		1	1		
38	1	129100-61850	PLUG 12,BORE		1	1		1	1		
39	1	26106-060552	BOLT M 6X 55 PLATED		2	2		2	2		

Fig.3. AIR CLEANER & MUFFLER

Fig. 3 AIR CLEANER & MUFFLER



(A)= (D)=  
 (B)=L40AE-D/DE (E)=L40AE-S/SE  
 (C)=L48AE-D/DE (F)=L48AE-S/SE

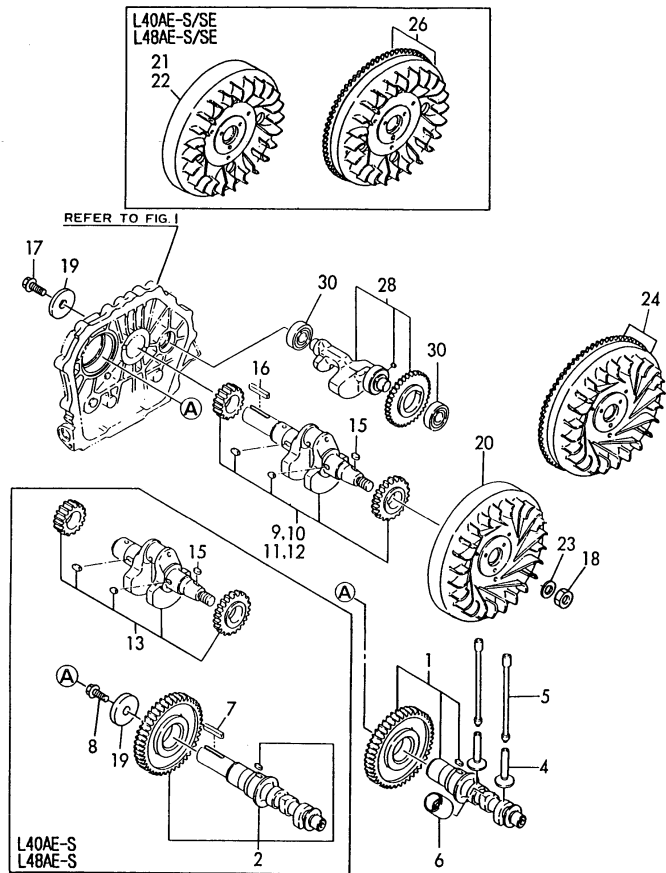
No.	Lev.	Parts No.	Description	Q'ty						I	R
				(A)	(B)	(C)	(D)	(E)	(F)		
1	1	114250-12010	PIPE, AIR INTAKE	1	1		1	1			
2	1	114252-12010	PIPE, AIR INTAKE	1	1		1	1		#	
3	1	114250-12200	GASKET, AIR INTAKE	1	1		1	1			
4	1	114250-12210	GASKET, AIR CLEANER	1	1		1	1			
5	1	114252-12210	GASKET, AIR CLEANER	1	1		1	1		#	
6A	1	714250-12560	CLEANER ASSY, AIR	1	1		1	1			
6B	1	714268-12581	CLEANER ASSY, AIR	1	1					H	
8	3	114250-12520	COVER, AIR CLEANER	1	1		1	1			
9A	3	114250-12530	CASE, AIR CLEANER	1	1		1	1			
9B	3	114250-12980	CASE, AIR CLEANER	1	1					H	
10	3	114250-12560	WASHER M 6, SEAL	1	1		1	1			
11	3	114250-12580	ELEMENT, WET AIR	1	1		1	1			
12	2	114250-12550	WING-NUT, M 6	1	1		1	1			
13	1	114252-12700	CLEANER ASSY.OILBATH	1	1		1	1		#	
14	2	160820-12300	BAND	1	1		1	1		#	
15	2	114252-12660	CAP,AIRCLEANER	1	1		1	1		#	
17	2	160820-12770	SUMP, OIL	1	1		1	1			
18	2	160820-12780	RING	1	1		1	1			
19	2	114252-12860	ELEMENT, AIR CLEANER	1	1		1	1		#	
21	1	22217-080000	SPRING WASHER 8	2	2		2	2			
22	1	26106-060252	BOLT M 6X 25 PLATED	1	1		1	1			
23	1	26216-080182	STUD M 8X 18 PLATED	2	2		2	2			
24	1	26226-060142	STUD M 6X 14 PLATED	1	1		1	1			
25	1	26366-060002	NUT M 6	3	3		3	3			
26	1	26716-080002	NUT M 8	2	2		2	2			
27	1	114250-13200	GASKET, MUFFLER	1	1		1	1			
28A	1	114250-13521	MUFFLER W/COVER	1	1		1	1			
28B	1	114268-13500	MUFFLER W/COVER	1	1		1	1		%	
29A	2	114250-13531	MUFFLER	1	1		1	1			
29B	2	114268-13510	MUFFLER	1	1		1	1		%	
30A	2	114250-13701	COVER, MUFFLER	1	1		1	1			
30B	2	114268-13700	COVER, MUFFLER	1	1		1	1		%	
31	2	26106-060082	BOLT M 6X 8 PLATED	6	6		6	6			
32	1	114770-13550	MUFFLER ASSY	1						T	
33	2	114770-13560	MUFFLER	1						T	
34	2	114870-13700	COVER(A), MUFFLER	1						T	
35	2	114870-13710	COVER(B), MUFFLER	1						T	
36	2	114870-13720	COVER(C), MUFFLER	2						T	
37	2	26106-060082	BOLT M 6X 8 PLATED	12						T	
38	1	114268-13800	EXTENSION, EXH.	1	1		1	1		%	
39	1	26106-060122	BOLT M 6X 12 PLATED	2	2		2	2			
40	1	26366-080002	NUT M 8	2	2		2	2			

Remarks  
 (#) FOR L40AE/48AE-D(E)F/S(E)F  
 (H) FOR L40AE/48AE-D(E)V  
 (T) L40AE-DGMO/DEGMO  
 (%) L40AE/L48AE-D(E)TM/S(E)TM  
 & L40AE-D(E)GMO

Fig.4. CAM/CRANK/BARANCER SHAFT

(A)=  
(B)=L40AE-D/DE  
(C)=L48AE-D/DE  
(D)=  
(E)=L40AE-S/SE  
(F)=L48AE-S/SE

Fig.4 CRANKSHAFT & CAMSHAFT



L40AE-D/L48AE-D  
CRANK SHAFT

Ref. No.	MAGNIFIED AXIAL END	S C R E W S I Z E	K E Y S I Z E	Ref. No.	MAGNIFIED AXIAL END	S C R E W S I Z E
9		5/16-24UNF	4.7x30	12		3/4-16UNF
11		M8 x 1.25	5x30	10		5/16-24UNF

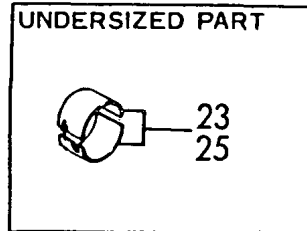
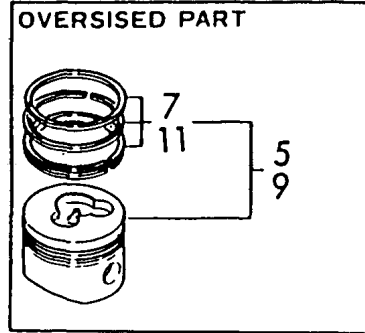
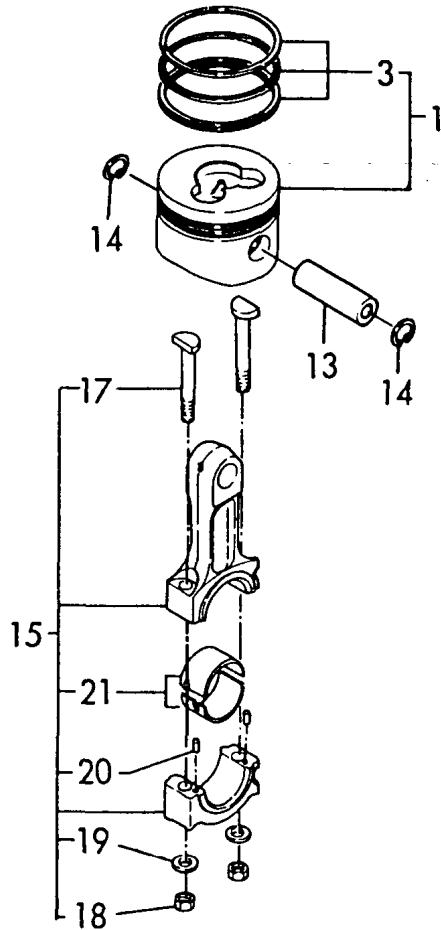
No.	Lev.	Parts No.	Description	Q'ty						I	R
				(A)	(B)	(C)	(D)	(E)	(F)		
1	1	714780-14580	CAMSHAFT (D) ASSY	1	1						
2	1	714770-14580	CAMSHAFT(S) ASSY.					1	1		
3E	2	114770-14100	GEAR, CAMSHAFT	1	1			1	1		
4	1	114250-14200	TAPPET	2	2			2	2		
5	1	114250-14450	ROD, PUSH	2	2			2	2		
6	1	114250-14260	TAPPET, FUEL	1	1			1	1		
7	1	22512-050300	KEY 5X 30						1	1	
8	1	26106-080202	BOLT M 8X 20 PLATED						1	1	
9	1	714288-21700	CRANKSHAFT ASY.(D/DE)	1	1						H
10	1	714288-21730	CRANKSHAFT ASY.(DGMO	1							T
11	1	714288-21740	CRANKSHAFT ASY.(DV/DF	1	1						Y
12	1	714288-21760	CRANKSHAFT ASY.(DP)	1	1						%
13	1	714278-21710	CRANKSHAFT ASSY(S)					1	1		
14E	2	114770-21200	GEAR, CRANKSHAFT	1	1			1	1		
14G	2	114770-21220	GEAR, BLANCERSHAFT	1	1			1	1		
15	1	22512-040120	KEY 4X 12	1	1			1	1		
16	1	160642-21150	KEY 4.7X30	1	1						
17	1	160642-21250	BOLT 5/15-24UNF	1	1						
18	1	103854-01221	NUT M16	1	1			1	1		
19	1	160310-14550	WASHER	1	1			1	1		
20	1	114780-21400	FLYWHEEL (D)	1	1						
21	1	114770-21400	FLYWHEEL (S)						1	1	
22	1	114770-21410	FLYWHEEL (SF)						1	1	#
23	1	114250-21550	WASHER, FLYWHEEL	1	1			1	1		
24	1	114781-21590	FLYWHEEL W/RING GEAR	1	1						
26	1	114771-21590	FLYWHEEL(SE) W/GEAR						1	1	
28	1	714770-28510	SHAFT ASSY, BALANCER	1	1			1	1		
30	1	24101-062024	BALL BEARING	2	2			2	2		

Remarks

(Y) FOR L40AE/48AE-D(E)F & L40AE/48AE-D(E)V  
(T) FOR L40AE-DGMO/DEGMO  
(#) FOR L40AE/48AE-SF/SEF  
(H) FOR L40AE/48AE-D/DE & L40AE/48AE-D(E)TM/S(E)TM  
(%) FOR L40AE/48AE-D(E)P

Fig.5. PISTON & ROD

# Fig.5 PISTON & CONNECTING ROD



(A)=  
(B)=L40AE-D/DE  
(C)=L48AE-D/DE

(D)=  
(E)=L40AE-S/SE  
(F)=L48AE-S/SE

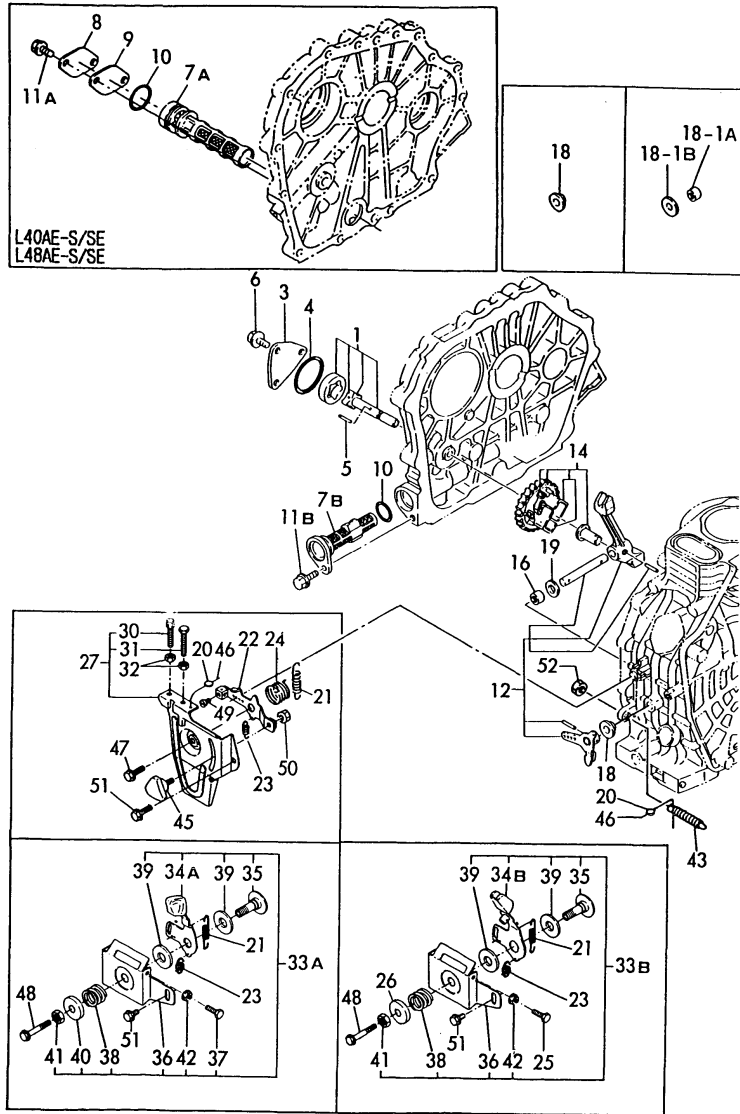
No.	Lev.	Parts No.	Description	Q'ty						I	R	
				(A)	(B)	(C)	(D)	(E)	(F)			
1A	1	714280-22720	PISTON W/RINGS		1							
1B	1	714780-22720	PISTON W/RINGS			1						
1C	1	714270-22720	PISTON W/RINGS						1			
1D	1	714770-22720	PISTON W/RINGS								1	
3A	2	714250-22502	RING SET, PISTON		1			1				
3B	2	714770-22500	RING SET, PISTON			1					1	
5A	1	714280-22620	PISTON W/RING OS=.25		1							H
5B	1	714780-22620	PISTON W/RING OS=.25			1						H
5C	1	714270-22620	PISTON W/RING OS=.25						1			H
5D	1	714770-22620	PISTON W/RING OS=.25							1		H
7A	2	714250-22542	RING SET O.S=0.25		1			1				H
7B	2	714770-22540	RING SET O.S=0.25			1					1	H
9A	1	714280-22580	PISTON W/RING OS=0.5		1							H
9B	1	714780-22580	PISTON W/RING OS=0.5			1						H
9C	1	714270-22580	PISTON W/RING OS=0.5						1			H
9D	1	714770-22580	PISTON W/RING OS=0.5							1		H
11A	2	714250-22550	RING SET O.S=0.50		1			1				H
11B	2	714770-22550	RING SET O.S=0.50			1					1	H
13	1	114250-22302	PIN, PISTON D=19		1	1		1	1			
14	1	22252-000190	CIRCLIP 19		2	2		2	2			
15	1	714250-23703	ROD ASSY, CONNECTING		1	1		1	1			
15-1	1	714770-23700	ROD ASSY, CONNECTING (B=EE6434) (C=E36473)		1	1		1	1			N
					(E=EE6595)			(F=E37269)				
17	2	114250-23200	BOLT, ROD		2	2		2	2			
17-1	2	119265-23200	BOLT, ROD (B=EE6434) (C=E36473)		2	2		2	2			S
					(E=EE6595)			(F=E37269)				
18	2	114250-23220	NUT, ROD BOLT (B=EE6434) (C=E36473)		2	2		2	2			Z
					(E=EE6595)			(F=E37269)				
19	2	114250-23250	WASHER (B=EE6434) (C=E36473)		2	2		2	2			Z
					(E=EE6595)			(F=E37269)				
20	2	22312-030080	PARALLEL PIN 3X 8 (B=EE6434) (C=E36473)		2	2		2	2			Z
					(E=EE6595)			(F=E37269)				
21	2	714250-23600	BEARING, CRANKPIN		1	1		1	1			
21-1	2	714770-23600	BEARING, CRANKPIN (B=EE6434) (C=E36473)		1	1		1	1			S
					(E=EE6595)			(F=E37269)				
22A	2	114770-23100	BUSH, PISTON PIN (B=EE6434) (C=E36473)		1	1		1	1			W
					(E=EE6595)			(F=E37269)				
23	1	714250-23610	BEARING,PIN(U.S=0.25)		1	1		1	1			H
23-1	1	714770-23610	BEARING,PIN(U.S=0.25) (B=EE6434) (C=E36473)		1	1		1	1			S H
					(E=EE6595)			(F=E37269)				
25	1	714250-23620	BEARING,PIN(U.S=0.50)		1	1		1	1			H
25-1	1	714770-23620	BEARING,PIN(U.S=0.50) (B=EE6434) (C=E36473)		1	1		1	1			S H
					(E=EE6595)			(F=E37269)				

Remarks  
(H) OVERSIZED & UNDERSIZED PARTS  
\* REF.NO.21-1,23-1,25-1  
INTERCHANGEABLE BY ROD ASSY.

Fig.6. L.O. DEVICE & GOVERNOR CONTROL

(A)= (D)=  
 (B)=L40AE-D/DE (E)=L40AE-S/SE  
 (C)=L48AE-D/DE (F)=L48AE-S/SE

Fig.6 LUB. OIL PUMP & GOVERNOR



No.	Lev.	Parts No.	Description	Q'ty						I	R
				(A)	(B)	(C)	(D)	(E)	(F)		
1	1	114250-32010	PUMP ASSY, LUB.OIL	1	1		1	1			
3	1	114250-32070	COVER, LUB. OIL PUMP	1	1		1	1			
4	1	103338-32570	O-RING	1	1		1	1			
5	1	22312-030160	PARALLEL PIN 3X16	1	1		1	1			
6	1	26476-060142	BOLT M 6X 14, TAPPING	3	3		3	3			
7A	1	114250-35060	STRAINER, LUB. OIL					1	1		
7B	1	114250-35070	STRAINER, LUB. OIL	1	1						
8	1	114250-35250	COVER					1	1		
9	1	114250-35270	GASKET, L.O.STRAINER					1	1		
10	1	24341-000224	O-RING 1A S-22.4	1	1		1	1			
11A	1	26106-060122	BOLT M 6X 12 PLATED					2	2		
11B	1	26106-060162	BOLT M 6X 16 PLATED	1	1						
12	1	714250-61500	LEVER ASSY, GOVERNOR	1	1		1	1			
14	1	714770-61700	GOVERNOR ASSY	1	1		1	1			
16	1	121450-61520	NEEDLE BEARING FJ810	2	2		2	2			
18	1	114250-61900	BUSH, THRUST	1	1		1	1			
18-1A	1	114770-61600	SEAL, OIL							F	
			(B=X)								
18-1B	1	114770-61610	WASHER, THRUST	1						F	
			(B=X)								
19	1	22137-080000	WASHER 8, POLISHED	1	1		1	1			
20	1	135210-61090	LEAD	2	2		2	2			
21	1	114770-66010	SPRING, REGULATOR	1	1		1	1			
22	1	114250-66050	HANDLE, REGULATOR	1	1		1	1			
23	1	114250-66200	SPRING, RETURN	1	1		1	1			
24	1	114252-66252	SPRING, RETURN	1	1		1	1			
25	1	114250-66440	BOLT, ADJUSTING	1	1					Y	
26	1	114254-66220	SUPPORT	1	1					Y	
27	1	714268-66500	BRACKET ASSY,REGULAT	1	1		1	1			
30	3	102100-67080	BOLT, ADJUSTING	1	1		1	1			
31	3	114250-66440	BOLT, ADJUSTING	1	1		1	1			
32	2	26756-060002	LOCK NUT 6	2	2		2	2			
33A	1	183250-66500	BRACKET ASSY,REGULAT	1	1					H	
33B	1	114254-66200	BRACKET ASSY,REGULAT	1	1					Y	
34A	2	183250-66050	HANDLE, REGULATOR	1	1					H	
34B	2	114254-66210	HANDLE, REGULATOR	1	1					Y	
35	2	183250-66070	SHAFT, HANDLE	1	1					H	
36	2	183250-66100	BRACKET, REGULATOR	1	1					H	
37	2	114250-66440	BOLT, ADJUSTING	1	1		1	1		H	
38	2	104200-66820	SPRING	1	1					H	
39	2	104200-66830	PLATE, FRICTION	2	2					H	
40	2	104200-66850	WASHER (B)	1	1					H	
41	2	26696-100002	NUT M10	1	1					H	
42	2	26756-060002	LOCK NUT 6	1	1					H	
43	1	114250-66550	TORQUE SPRING ASSY	1	1		1	1			
45	1	160725-78350	KNOB (W/M6X15)	1	1		1	1			
46	1	22451-060000	WIRE 0.6	2	2		2	2			
47	1	26106-060202	BOLT M 6X 20 PLATED	1	1		1	1			
48	1	26106-060452	BOLT M 6X 45 PLATED	1						#	
49	1	26116-040088	BOLT M 4X 8 PLATED	1	1		1	1			
50	1	26346-060002	U-NUT M 6 PLATED	1	1		1	1			

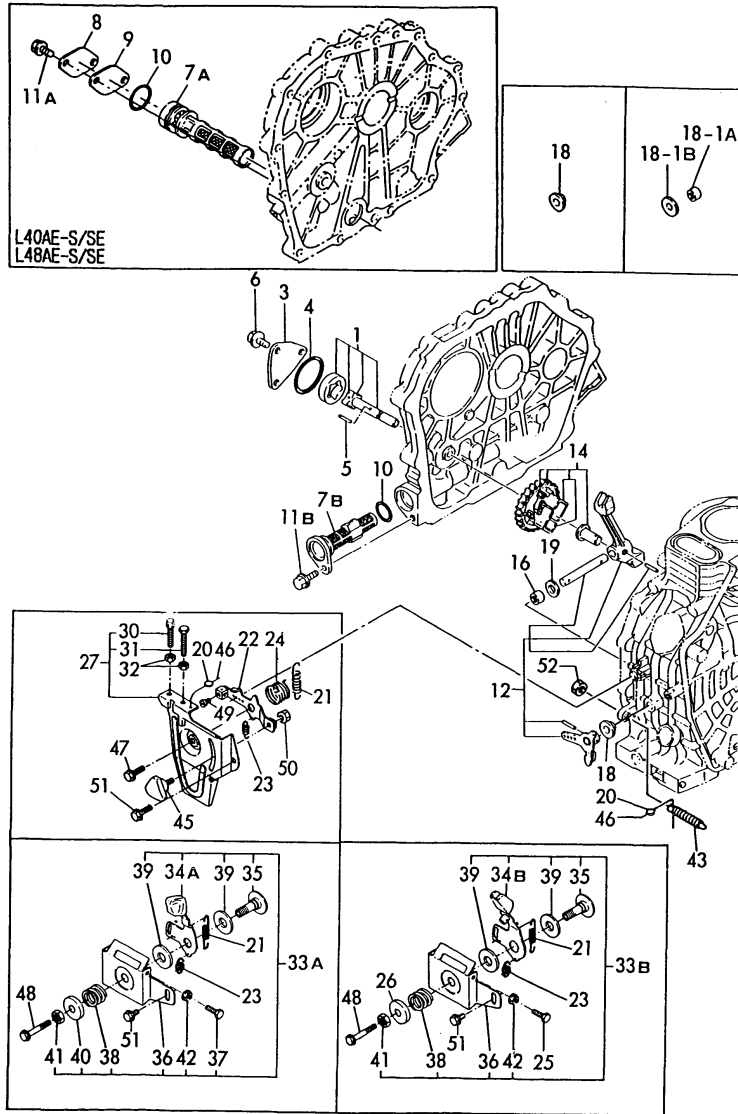
Remarks  
 (H) FOR L40AE-DGMO/DEGMO  
 L40AE/48AE-D(E)TM/S(E)TM  
 (#) FOR L40AE-DGMO/DEGMO  
 (Y) FOR L40AE/48AE-D(E)V



# Fig.6. L.O. DEVICE & GOVERNOR CONTROL

(A)= (D)=  
 (B)=L40AE-D/DE (E)=L40AE-S/SE  
 (C)=L48AE-D/DE (F)=L48AE-S/SE

**Fig.6 LUB. OIL PUMP & GOVERNOR**



No.	Lev.	Parts No.	Description	Q'ty						I	R
				(A)	(B)	(C)	(D)	(E)	(F)		
51	1	26476-060142	BOLT M 6X 14,TAPPING	1	1		1	1			
52	1	26696-100002	NUT M10	1	1		1	1			

**Remarks**

(H) FOR L40AE-DGMO/DEGMO  
 L40AE/48AE-D(E)TM/S(E)TM  
 (#) FOR L40AE-DGMO/DEGMO  
 (Y) FOR L40AE/48AE-D(E)V

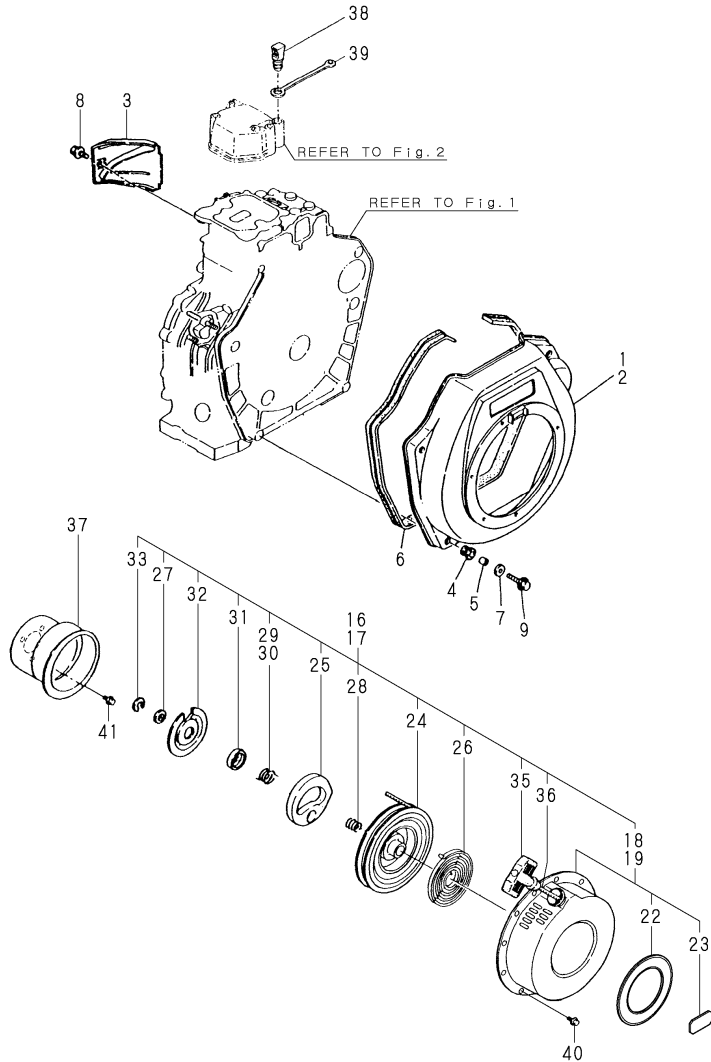
Fig.7. COOLING & RECOIL STARTER

(A)=  
(B)=L40AE-D/DE  
(C)=L48AE-D/DE

(D)=  
(E)=L40AE-S/SE  
(F)=L48AE-S/SE

P/C NEWS No.:Y00R3981-2  
PUBLISHED:2002/11

Fig.7 COOLING & STARTING DEVICE

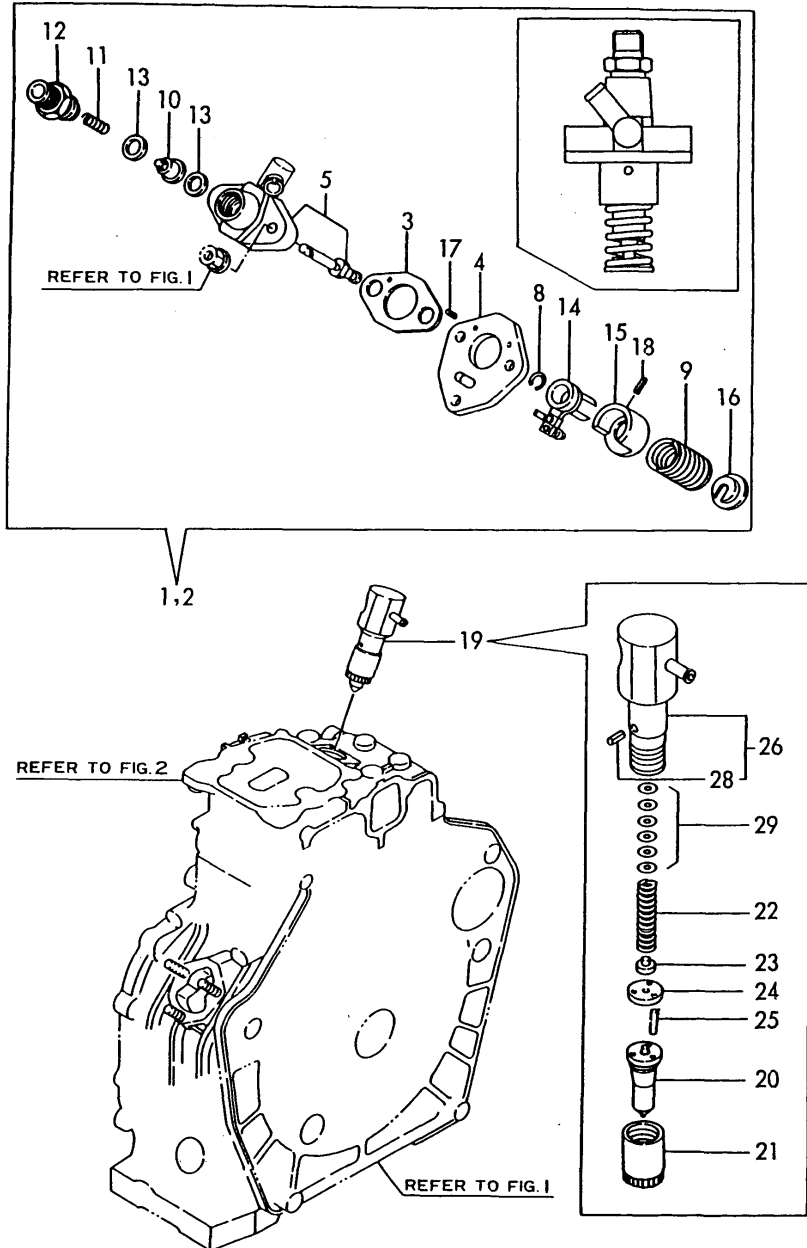


No.	Lev.	Parts No.	Description	Q'ty						I	R
				(A)	(B)	(C)	(D)	(E)	(F)		
1	1	114780-45100	CASE,FAN(SILVER)(17)		1	1					
2	1	114770-45100	CASE,FAN(SILVER)(17)					1	1		
3	1	114250-45211	COVER, CYLINDER		1	1		1	1		
4	1	114250-45300	RUBBER, CUSHION		4	4		4	4		
5	1	114250-45310	COLLAR		4	4		4	4		
6	1	114250-45330	SEAL, FAN CASE		1	1		1	1		
7	1	160120-76940	WASHER		4	4		4	4		
8	1	26476-060142	BOLT M 6X 14, TAPPING		1	1		1	1		
9	1	26476-060252	BOLT M 6X 25, TAPPING		4	4		4	4		
16	1	714260-76820	RECOIL(D) W/O PULLEY		1	1					
16-1	1	714260-76821 (B=*2000.06) (C=*2000.06)	RECOIL(D) W/O PULLEY		1	1					N
17	1	714250-76820	RECOIL(S) W/O PULLEY					1	1		
17-1	1	714250-76821 (E=*2000.06) (F=*2000.06)	RECOIL(S) W/O PULLEY					1	1		N
18	2	714260-76830	CASE,STARTER W/LABEL		1	1					
18-1	2	714260-76831 (B=*2000.06) (C=*2000.06)	CASE,STARTER W/LABEL		1	1					N
19	2	714250-76830	CASE,STARTER W/LABEL					1	1		
19-1	2	714250-76831 (E=*2000.06) (F=*2000.06)	CASE,STARTER W/LABEL					1	1		N
22	4	114250-07350	LABEL, YANMAR DIESEL		1	1		1	1		
23	4	114150-07050	LABEL(L35)		1	1		1	1		
23A	4	114170-07050	LABEL(L35A)		1	1		1	1		
23B	4	114270-07050	LABEL(L40A)		1	1		1	1		
23C	4	114770-07050	LABEL(L48A)		1	1		1	1		
23D	4	183250-07120	LABEL(L40)		1	1		1	1		
24	2	160260-76520	REEL, RECOIL		1	1		1	1		
25	2	160260-76530	RATCHET		1	1		1	1		
26	2	160260-76540	SPRING, SPIRAL		1	1		1	1		
27	2	160260-76550	WASHER, THRUST		1	1		1	1		
28	2	160260-76560	SPRING, FRICTION		1	1		1	1		
29	2	160290-76570	SPRING, RETURN		1	1					
30	2	160260-76570	SPRING, RETURN					1	1		
31	2	160260-76580	COVER, SPRING		1	1		1	1		
32	2	160260-76590	PLATE, FRICTION		1	1		1	1		
33	2	160260-76600	CIRCLIP(E)		1	1		1	1		
35	2	160260-76620	KNOB, STARTER		1	1		1	1		
35-1	2	114250-76620 (B=*2000.06) (C=*2000.06)	KNOB, STARTER		1	1		1	1		S
36	2	160260-76630	ROPE, STARTER		1	1		1	1		
37	1	114250-76590	PULLEY, STARTER		1	1		1	1		
38	1	114250-76600	PLUNGER		1	1		1	1		
39	1	114250-76610	HOLDER, PLUNGER		1	1		1	1		
40	1	26106-060082	BOLT M 6X 8 PLATED		4	4		4	4		
41	1	26106-060122	BOLT M 6X 12 PLATED		3	3		3	3		

Fig.8. FUEL INJECTION PUMP & VALVE

(A)= (D)=  
 (B)=L40AE-D/DE (E)=L40AE-S/SE  
 (C)=L48AE-D/DE (F)=L48AE-S/SE

Fig. 8 FUEL INJECTION PUMP & VALVE



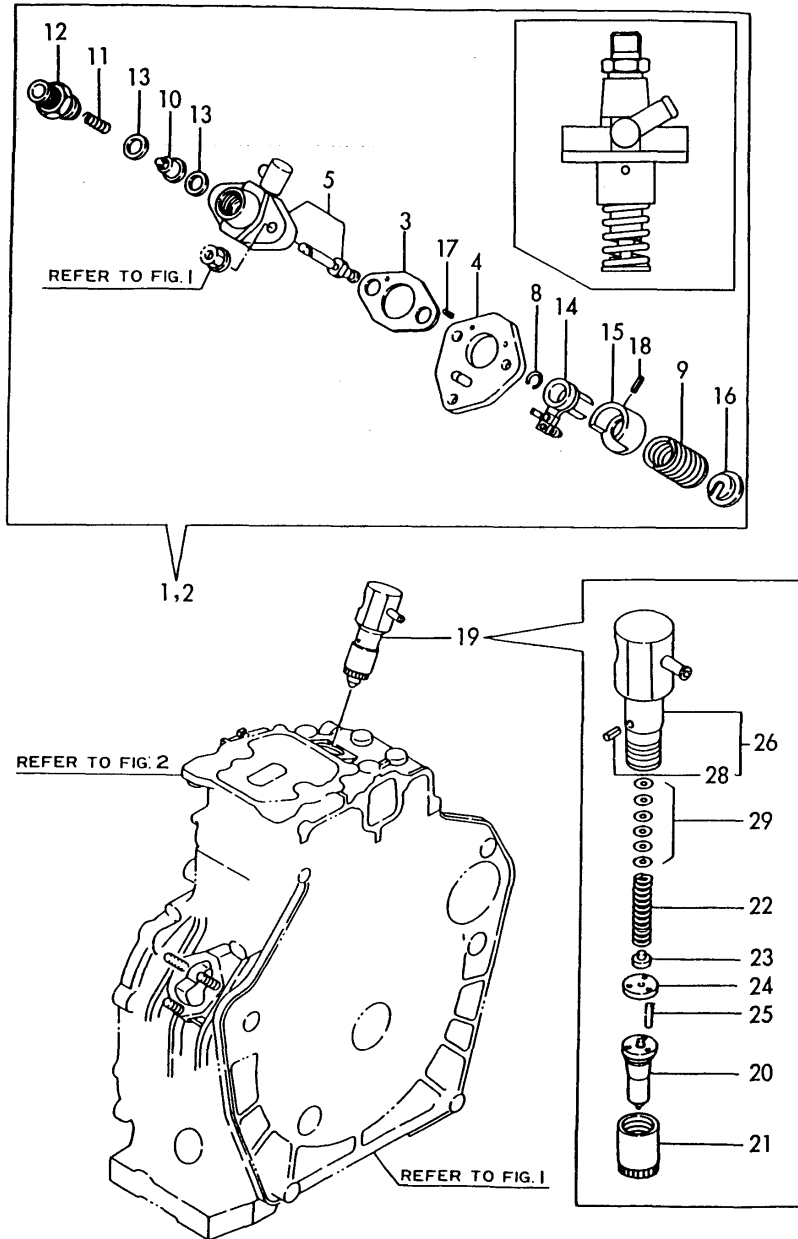
No.	Lev.	Parts No.	Description	Q'ty						I	R
				(A)	(B)	(C)	(D)	(E)	(F)		
1	1	714250-51710	PUMP ASSY, F.INJECT.		1				1		
2	1	714770-51700	PUMP ASSY, F.INJECT.			1				1	
3	2	105546-51020	GASKET		1	1		1	1		
4	2	114250-51080	PLATE		1	1		1	1		
5	2	114250-51200	BODY, F.I. PUMP		1	1		1	1		
8	2	114250-51150	RING, SNAP		1	1		1	1		
9	2	114250-51160	SPRING		1	1		1	1		
10	2	114250-51300	VALVE ASSY, DELIVERY		1	1		1	1		
11	2	105546-51330	SPRING, DELIV. VALVE		1	1		1	1		
12	2	114250-51340	HOLDER, F.I.P.DELIVE		1	1		1	1		
13	2	124550-51350	GASKET, DELIVERY		2	2		2	2		
14	2	114250-51600	LEVER ASSY, CONTROL		1	1		1	1		
15	2	114250-51640	SEAT (A), SPRING		1	1		1	1		
16	2	114250-51650	SEAT (B), SPRING		1	1		1	1		
17	2	22351-020006	SPRING PIN 2X 6		2	2		2	2		
18	2	22351-030008	SPRING PIN 3X 8		1	1		1	1		
19	1	714250-53101	VALVE ASSY, F.INJECT		1	1		1	1		
20	2	114250-53001	NOZZLE ASSY		1	1		1	1		
21	2	114250-53080	NUT, NOZZLE CASE		1	1		1	1		
22	2	114250-53120	SPRING, NOZZLE		1	1		1	1		
23	2	114250-53130	SEAT, NOZZLE SPRING		1	1		1	1		
24	2	114250-53140	PLATE, STOP		1	1		1	1		
25	2	114250-53210	PIN		2	2		2	2		
26	2	114250-53300	HOLDER ASSY, NOZZLE		1	1		1	1		
28	3	114250-53331	PIN, SPRING		1	1		1	1		
29	2	114250-53400	SHIM PACK		1	1		1	1		

Fig.9. FUEL INJECTION PUMP & VALVE

(A)=  
(B)=L40AE-D(E)TM  
(C)=L48AE-D(E)TM

(D)=  
(E)=L40AE-S(E)TM  
(F)=L48AE-S(E)TM

Fig.9 FUEL INJECTION PUMP & VALVE

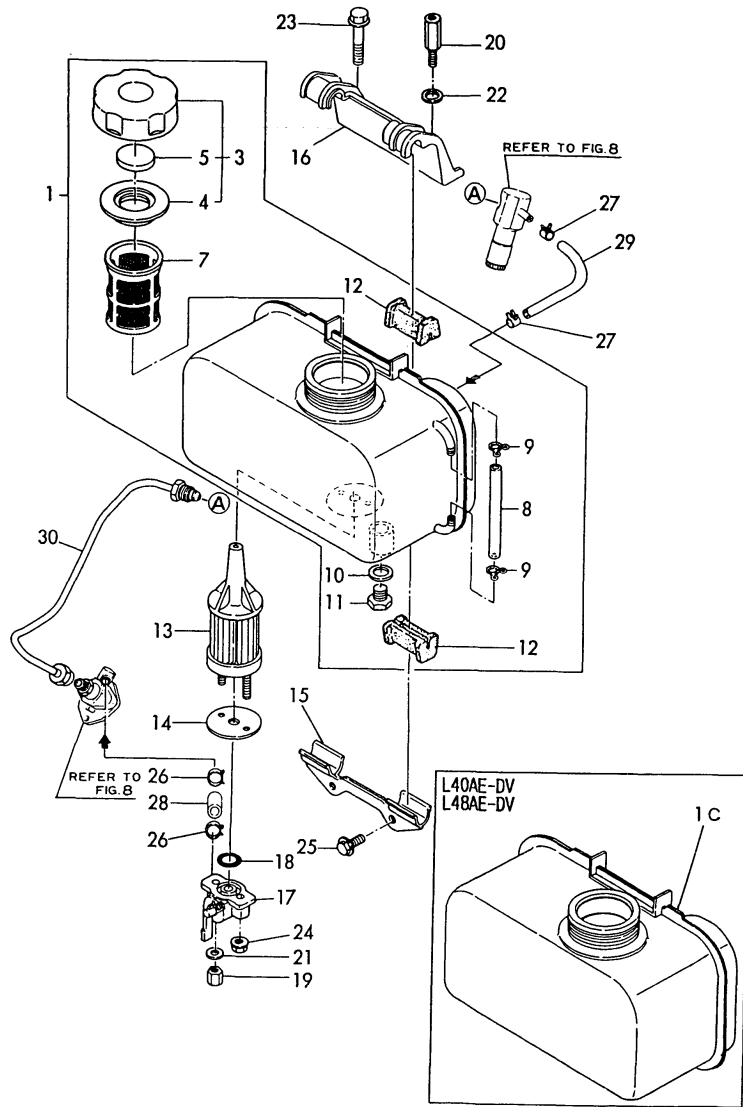


No.	Lev.	Parts No.	Description	Q'ty						I	R
				(A)	(B)	(C)	(D)	(E)	(F)		
1	1	783250-51740	PUMP ASSY. F.INJECT.	1				1			
2	1	714770-51740	PUMP ASSY. F.INJECT.			1				1	
3	2	105546-51020	GASKET	1	1			1	1		
4	2	114250-51080	PLATE	1	1			1	1		
5	2	183250-51400	BODY, F. I. PUMP	1	1			1	1		
8	2	114250-51150	RING, SNAP	1	1			1	1		
9	2	114250-51160	SPRING	1	1			1	1		
10	2	114250-51300	VALVE ASSY, DELIVERY	1	1			1	1		
11	2	105546-51330	SPRING, DELIV. VALVE	1	1			1	1		
12	2	114250-51340	HOLDER, F.I.P.DELIVE	1	1			1	1		
13	2	124550-51350	GASKET, DELIVERY	2	2			2	2		
14	2	114250-51600	LEVER ASSY, CONTROL	1	1			1	1		
15	2	114250-51640	SEAT (A), SPRING	1	1			1	1		
16	2	114250-51650	SEAT (B), SPRING	1	1			1	1		
17	2	22351-020006	SPRING PIN 2X 6	2	2			2	2		
18	2	22351-030008	SPRING PIN 3X 8	1	1			1	1		
19	1	714250-53101	VALVE ASSY, F.INJECT	1	1			1	1		
20	2	114250-53001	NOZZLE ASSY	1	1			1	1		
21	2	114250-53080	NUT, NOZZLE CASE	1	1			1	1		
22	2	114250-53120	SPRING, NOZZLE	1	1			1	1		
23	2	114250-53130	SEAT, NOZZLE SPRING	1	1			1	1		
24	2	114250-53140	PLATE, STOP	1	1			1	1		
25	2	114250-53210	PIN	2	2			2	2		
26	2	114250-53300	HOLDER ASSY, NOZZLE	1	1			1	1		
28	3	114250-53331	PIN, SPRING	1	1			1	1		
29	2	114250-53400	SHIM PACK	1	1			1	1		

Fig.10. FUEL TANK & FUEL PIPE

(A)= (D)=  
 (B)=L40AE-D/DE (E)=L40AE-S/SE  
 (C)=L48AE-D/DE (F)=L48AE-S/SE

Fig. 10 FUEL TANK & FUEL LINE

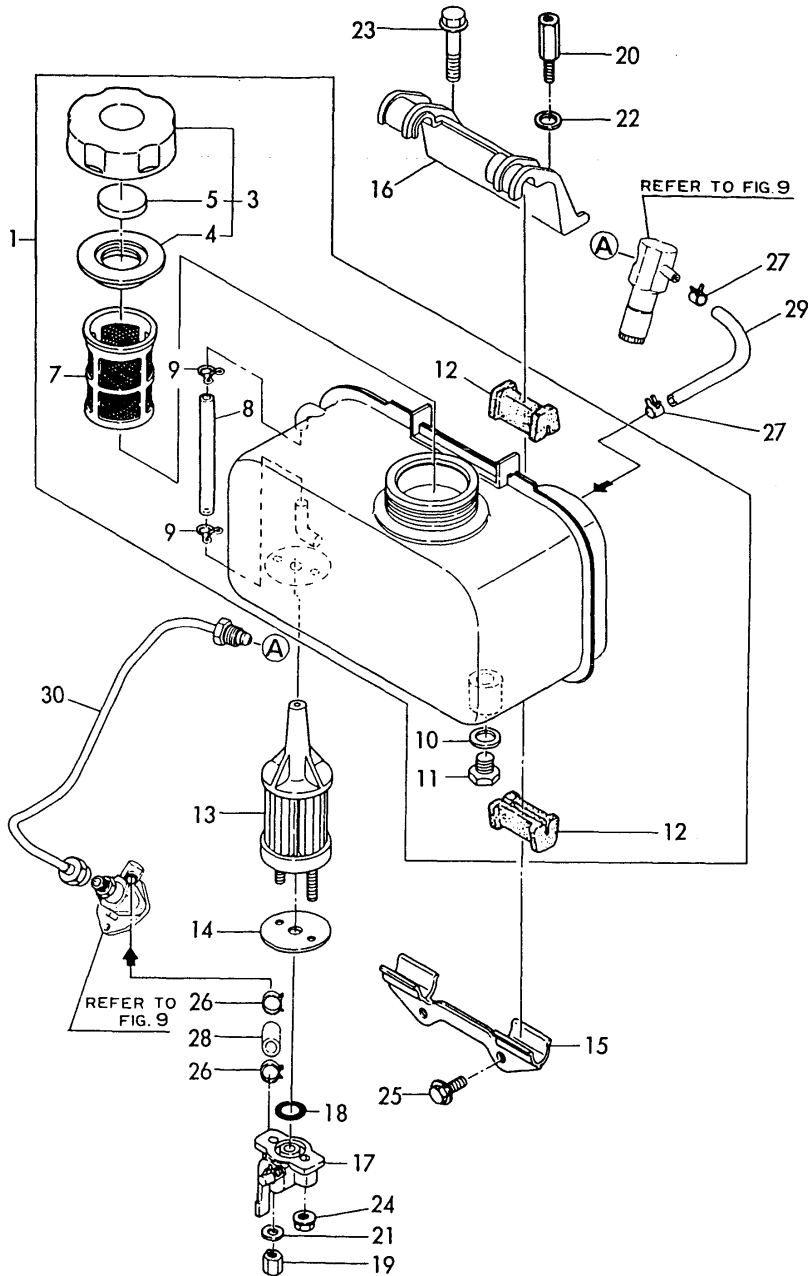


No.	Lev.	Parts No.	Description	Q'ty						I	R
				(A)	(B)	(C)	(D)	(E)	(F)		
1A	1	714250-55711	TANK ASSY, FUEL(D/S)	1	1			1	1		
1B	1	714268-55721	TANK ASSY.FUEL(DGMO)		1						#
1C	1	714268-55751	TANK ASSY, FUEL(DV)	1	1						Y
1D	1	714258-55701	TANK ASSY.FUEL(DF/SF)	1	1			1	1		T
3	2	114250-55041	CAP, TANK	1	1			1	1		
4	3	114250-55050	GASKET, TANK CAP	1	1			1	1		
5	3	114250-55060	SEAL	1	1			1	1		
7	2	114250-55100	FILTER, FUEL	1	1			1	1		
8	2	114250-55150	PIPE, GAUGE	1	1			1	1		
9	2	124722-59050	CLAMP 9	2	2			2	2		
10	2	23414-120000	GASKET 12, ROUND	1	1			1	1		
11	2	23887-120002	PLUG 12,HEX.	1	1			1	1		
12	2	114250-55201	DAMPER, FUEL TANK	4	4			4	4		
13	1	114250-55120	FILTER, FUEL OIL	1	1			1	1		
14	1	114250-55130	GASKET	1	1			1	1		
15	1	114250-55211	STAY (A)	1	1			1	1		
16	1	114250-55231	STAY (B)	1	1			1	1		
17	1	114250-55300	COCK ASSY, FUEL	1	1			1	1		
18	1	24341-000150	O-RING 1A S-15.0	1	1			1	1		
19	1	114252-55800	NUT	1	1			1	1		
20	1	114650-55810	BOLT, LIFTING	1	1			1	1		
21	1	22117-060000	WASHER 6	1	1			1	1		
22	1	22117-080000	WASHER 8	1	1			1	1		
23	1	26106-080452	BOLT M 8X 45 PLATED	1	1			1	1		
24	1	26366-060002	NUT M 6	1	1			1	1		
25	1	26476-060142	BOLT M 6X 14, TAPPING	2	2			2	2		
26	1	106990-44660	CLIP, HOSE	2	2			2	2		
27	1	124722-59050	CLAMP 9	2	2			2	2		
28	1	114250-59050	PIPE, FUEL OIL	1	1			1	1		
29	1	114250-59060	PIPE, FUEL RETURN	1	1			1	1		
30	1	114250-59800	PIPE, FUEL INJECTION	1	1			1	1		

Remarks  
 (Y) FOR L40AE/48AE-D(E)V  
 (#) FOR L40AE-DGMO/DEGMO  
 (T) FOR L40AE/48AE-D(E)F/S(E)F

Fig.11. FUEL TANK & FUEL PIPE

Fig. 11 FUEL TANK & FUEL LINE



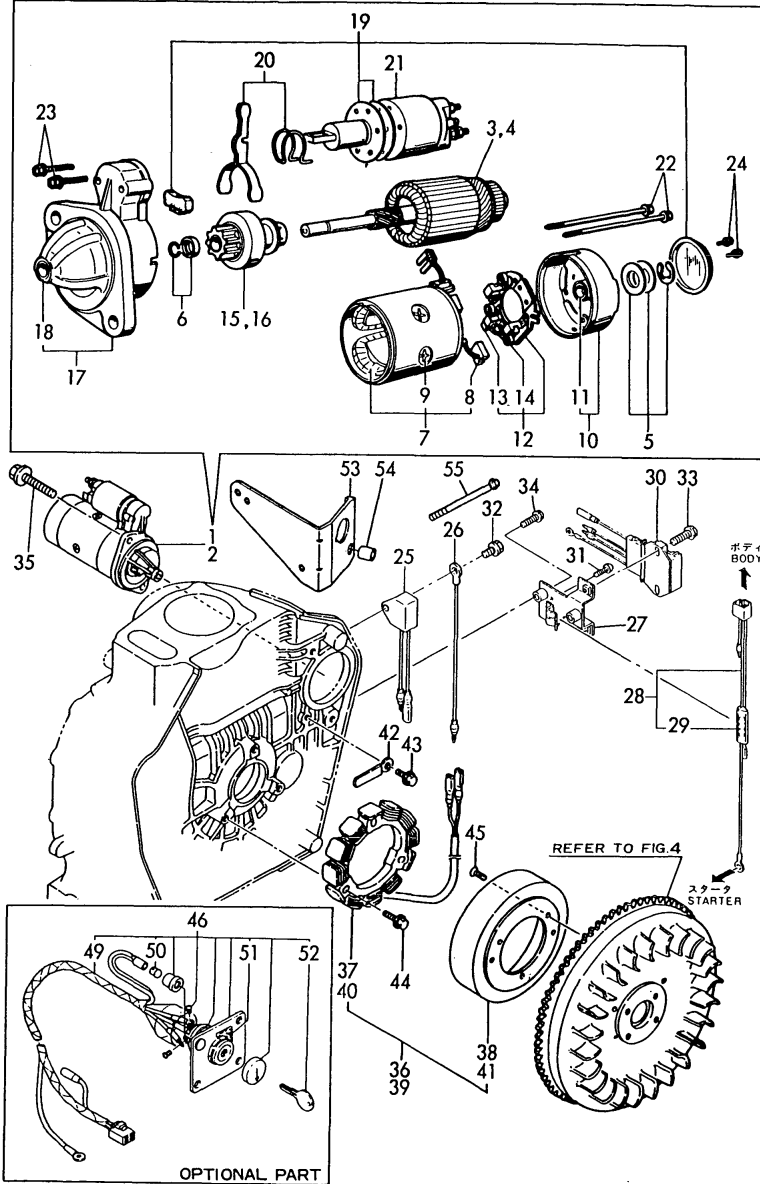
(A)=  
(B)=L40AE-D(E)TM  
(C)=L48AE-D(E)TM

(D)=  
(E)=L40AE-S(E)TM  
(F)=L48AE-S(E)TM

No.	Lev.	Parts No.	Description	Q'ty						I	R
				(A)	(B)	(C)	(D)	(E)	(F)		
1	1	714268-55701	TANK ASSY, FUEL (RED)	1	1		1	1			
3	2	114250-55041	CAP, TANK	1	1		1	1			
4	3	114250-55050	GASKET, TANK CAP	1	1		1	1			
5	3	114250-55060	SEAL	1	1		1	1			
7	2	114250-55100	FILTER, FUEL	1	1		1	1			
8	2	114250-55150	PIPE, GAUGE	1	1		1	1			
9	2	124722-59050	CLAMP 9	2	2		2	2			
10	2	23414-120000	GASKET 12, ROUND	1	1		1	1			
11	2	23887-120002	PLUG 12,HEX.	1	1		1	1			
12	2	114250-55201	DAMPER, FUEL TANK	4	4		4	4			
13	1	114250-55120	FILTER, FUEL OIL	1	1		1	1			
14	1	114250-55130	GASKET	1	1		1	1			
15	1	114250-55211	STAY (A)	1	1		1	1			
16	1	114250-55231	STAY (B)	1	1		1	1			
17	1	114250-55300	COCK ASSY, FUEL	1	1		1	1			
18	1	24341-000150	O-RING 1A S-15.0	1	1		1	1			
19	1	114252-55800	NUT	1	1		1	1			
20	1	114650-55810	BOLT, LIFTING	1	1		1	1			
21	1	22117-060000	WASHER 6	1	1		1	1			
22	1	22117-080000	WASHER 8	1	1		1	1			
23	1	26106-080452	BOLT M 8X 45 PLATED	1	1		1	1			
24	1	26366-060002	NUT M 6	1	1		1	1			
25	1	26476-060142	BOLT M 6X 14, TAPPING	2	2		2	2			
26	1	106990-44660	CLIP,HOSE	2	2		2	2			
27	1	124722-59050	CLAMP 9	2	2		2	2			
28	1	114250-59050	PIPE, FUEL OIL	1	1		1	1			
29	1	114250-59060	PIPE, FUEL RETURN	1	1		1	1			
30	1	114250-59810	PIPE, FUEL INJECTION	1	1		1	1			

Fig.12. STARTING MOTOR & DYNAMO

Fig. 12 STARTING MOTOR & DYNAMO



(A)=  
(B)=L40AE-DE  
(C)=L48AE-DE

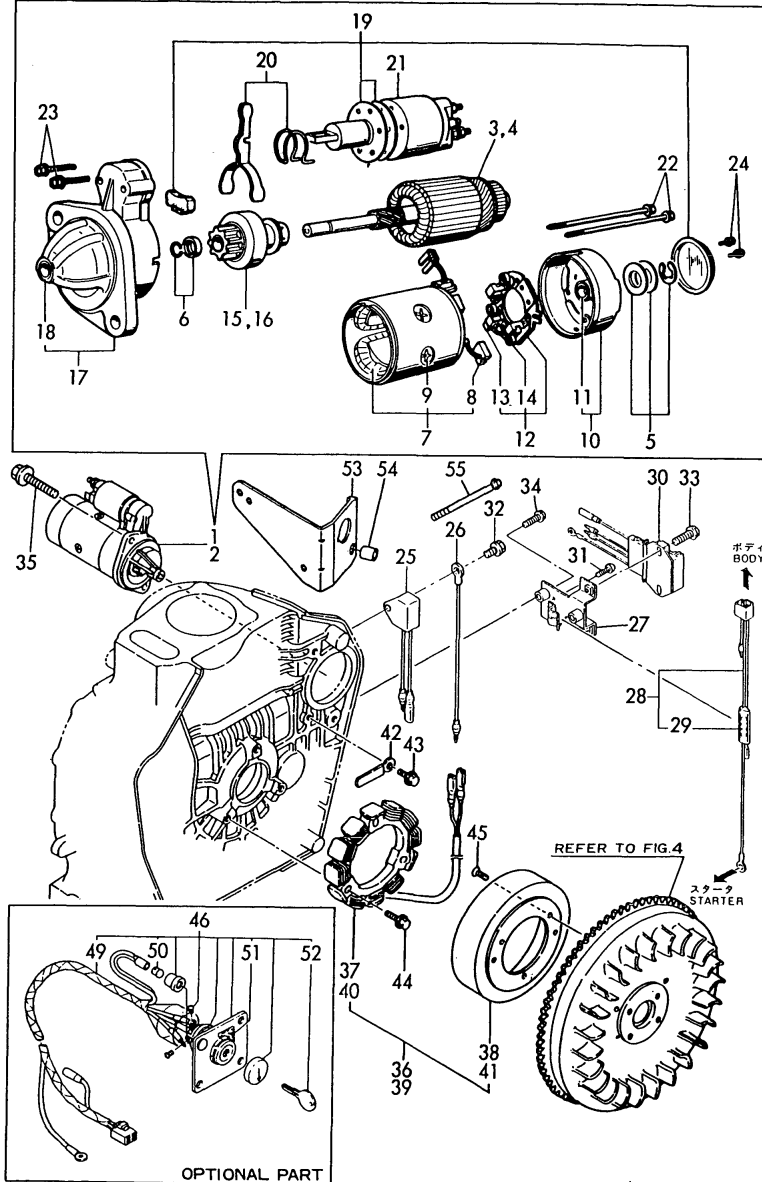
(D)=  
(E)=L40AE-SE  
(F)=L48AE-SE

No.	Lev.	Parts No.	Description	Q'ty						I	R
				(A)	(B)	(C)	(D)	(E)	(F)		
1	1	114362-77010	STARTER (S114-414A)	1	1						
2	1	114351-77010	STARTER (S114-413A)					1	1		
3	2	X211461104	ARMATURE		1	1					
4	2	X211461008	ARMATURE					1	1		
5	2	X21148110	WASHER SET, THRUST	1	1			1	1		
6	2	X21147155	STOPPER SET, PINION	1	1			1	1		
7	2	X211412105	COIL ASSY, FIELD	1	1			1	1		
8	3	X21145312	BRUSH (+)	2	2			2	2		
9	3	X21143215	SCREW, CORE	4	4			4	4		
10	2	X211473002	COVER, REAR	1	1			1	1		
11	3	X21145352	METAL	1	1			1	1		
12	2	X211489001	HOLDER ASSY, BRUSH	1	1			1	1		
13	3	X21148313	BRUSH (-)	1	1			1	1		
14	3	X21149314	SPRING, BRUSH	3	3			3	3		
15	2	X211445508	PINION ASSY	1	1						
16	2	X211445504	PINION ASSY					1	1		
17	2	X211416603	HOUSING ASSY, GEAR	1	1			1	1		
18	3	X21145352	METAL	1	1			1	1		
19	2	X211478006	COVER KIT, DUST	1	1			1	1		
20	2	X211456013	LEVER KIT, SHIFT	1	1			1	1		
21	2	X211427501	SWITCH, MAGNETIC	1	1			1	1		
22	2	X211468005	BOLT, THROUGH	2	2			2	2		
23	2	X21145867	BOLT 6	2	2			2	2		
24	2	X21142835	SCREW SET	1	1			1	1		
25	1	160970-77350	RECTIFIER	1	1			1	1		
26	1	183350-77400	WIRE, LEAD	1	1			1	1		
27	1	114253-77410	BRACKET					1	1		Y
27-1	1	114385-77400	BRACKET					1			R
28	1	114253-77491	HARNES, WIRE			(E=X)		1	1		Y
29	2	29411-150000	FUSE (15A),CARTRIDGE					2	2		Y
30	1	114253-77520	REGULATOR					1	1		Y
31	1	26023-040102	SCREW M 4X 10	2	2			2	2		
32	1	26106-060122	BOLT M 6X 12 PLATED	1	1			1	1		
33	1	26106-060202	BOLT M 6X 20 PLATED					2	2		Y
34	1	26106-060252	BOLT M 6X 25 PLATED					2	2		Y
34-1	1	26106-060122	BOLT M 6X 12 PLATED					2			N
35	1	26106-100302	BOLT M10X 30 PLATED			(E=X)		2	2		
36	1	114351-78250	DYNAMO ASSY	1	1			1	1		
37	2	114351-78750	STATOR ASSY	1	1			1	1		
38	2	114351-78760	WHEEL, DYNAMO	1	1			1	1		
39	1	114351-78260	DYNAMO ASSY (12V-3A)					1	1		Y
40	2	114351-78770	STATOR ASSY,(132.1MM)					1	1		Y
41	2	114351-78780	WHEEL (STATOR)132.1MM					1	1		Y
42	1	160710-78710	CLAMP, CORD	1	1			1	1		
43	1	26476-060142	BOLT M 6X 14, TAPPING	1	1			1	1		
44	1	26476-060202	BOLT M 6X 20, TAPPING	3	3			3	3		
45	1	26577-060142	SCREW M 6X 14	3	3			3	3		
46	1	114351-77500	PANEL ASSY,KEYSWITCH	1	1			1	1		H
49	2	114351-77700	HARNES, WIRE	1	1			1	1		H

Remarks  
(Y) FOR L40AE-SEF, L48AE-SEF.  
(H) OPTIONAL PARTS.

Fig.12. STARTING MOTOR & DYNAMO

Fig. **12** STARTING MOTOR & DYNAMO



(A)=  
(B)=L40AE-DE  
(C)=L48AE-DE

(D)=  
(E)=L40AE-SE  
(F)=L48AE-SE

No.	Lev.	Parts No.	Description	Q'ty						I	R
				(A)	(B)	(C)	(D)	(E)	(F)		
50	3	29220-083200	BULB (12V/3.4W)	1	1		1	1			H
51	2	105198-07120	LABEL, STARTER	1	1		1	1			H
52	2	106100-77630	KEY, STARTER	1	1		1	1			H
53	1	114351-77620	BRACKET, ST.SWITCH	1				1			H
54	1	114351-77630	WASHER	2				2			H
55	1	26106-060702	BOLT M 6X 70 PLATED	2				2			H

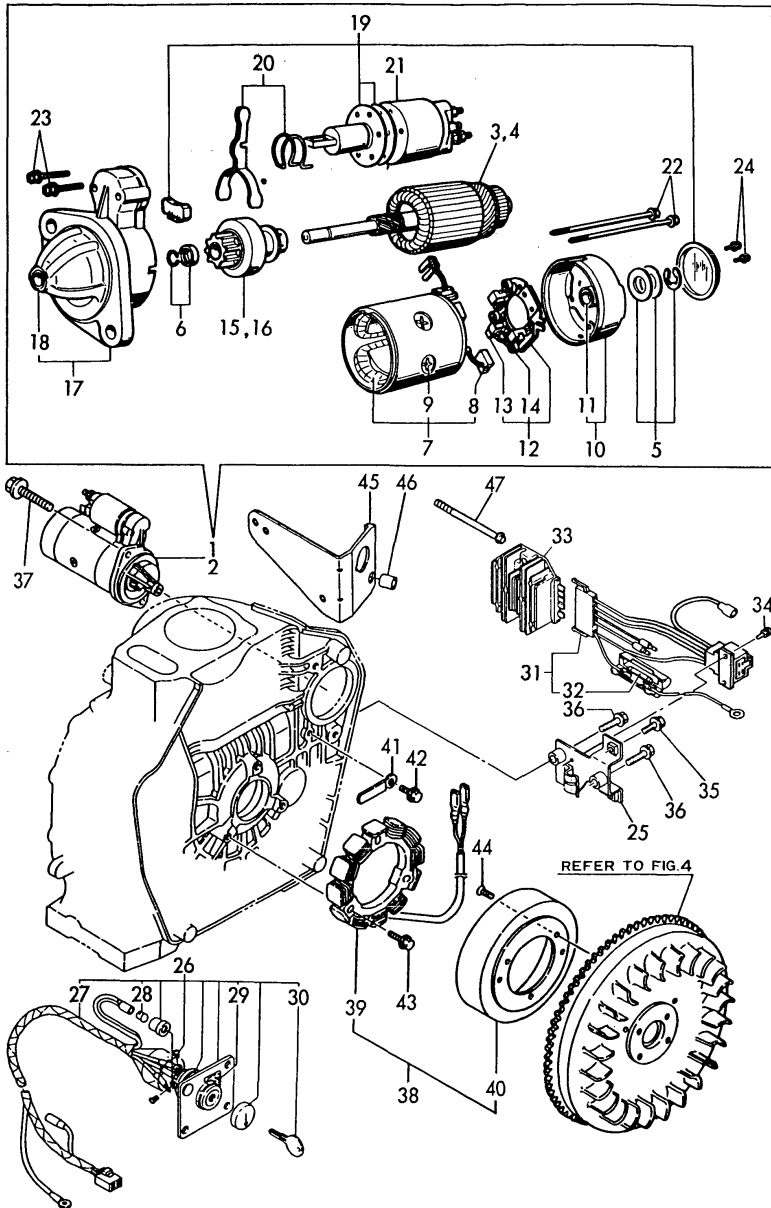
Remarks  
(Y) FOR L40AE-SEF, L48AE-SEF.  
(H) OPTIONAL PARTS.



Fig.13. STARTING MOTOR & DYNAMO

(A)= (D)=  
 (B)=L40AE-DETM (E)=L40AE-SETM  
 (C)=L48AE-DETM (F)=L48AE-SETM

Fig. 13 STARTING MOTOR & DYNAMO



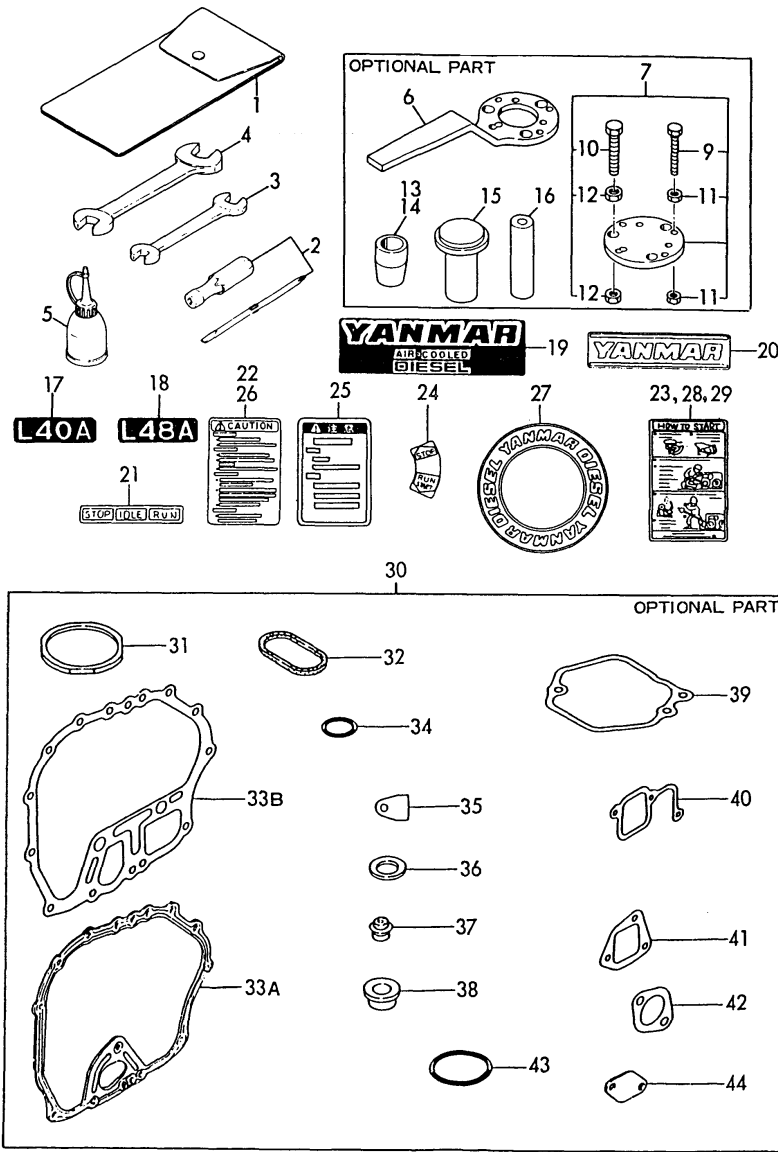
No.	Lev.	Parts No.	Description	Q'ty						I	R
				(A)	(B)	(C)	(D)	(E)	(F)		
1	1	114362-77010	STARTER (S114-414A)	1	1						
2	1	114351-77010	STARTER (S114-413A)					1	1		
3	2	X211461104	ARMATURE	1	1						
4	2	X211461008	ARMATURE					1	1		
5	2	X21148110	WASHER SET, THRUST	1	1			1	1		
6	2	X21147155	STOPPER SET, PINION	1	1			1	1		
7	2	X211412105	COIL ASSY, FIELD	1	1			1	1		
8	3	X21145312	BRUSH (+)	2	2			2	2		
9	3	X21143215	SCREW, CORE	4	4			4	4		
10	2	X211473002	COVER, REAR	1	1			1	1		
11	3	X21145352	METAL	1	1			1	1		
12	2	X211489001	HOLDER ASSY, BRUSH	1	1			1	1		
13	3	X21148313	BRUSH (-)	1	1			1	1		
14	3	X21149314	SPRING, BRUSH	3	3			3	3		
15	2	X211445508	PINION ASSY	1	1						
16	2	X211445504	PINION ASSY							1	1
17	2	X211416603	HOUSING ASSY, GEAR	1	1			1	1		
18	3	X21145352	METAL	1	1			1	1		
19	2	X211478006	COVER KIT, DUST	1	1			1	1		
20	2	X211456013	LEVER KIT, SHIFT	1	1			1	1		
21	2	X211427501	SWITCH, MAGNETIC	1	1			1	1		
22	2	X211468005	BOLT, THROUGH	2	2			2	2		
23	2	X21145867	BOLT 6	2	2			2	2		
24	2	X21142835	SCREW SET	1	1			1	1		
25	1	114253-77410	BRACKET	1	1			1	1		
25-1	1	114385-77400	BRACKET	1							R
(B=X)											
26	1	114351-77500	PANEL ASSY,KEYSWITCH	1	1			1	1		
27	2	114351-77700	HARNES, WIRE	1	1			1	1		
28	3	29220-083200	BULB (12V/3.4W)	1	1			1	1		
29	2	105198-07120	LABEL, STARTER	1	1			1	1		
30	2	106100-77630	KEY, STARTER	1	1			1	1		
31	1	114351-77540	HARNES, WIRE	1	1			1	1		
32	2	29411-150000	FUSE (15A),CARTRIDGE	2	2			2	2		
33	1	119660-77710	CURRENT LIMITER(15A)	1	1			1	1		
34	1	26023-040102	SCREW M 4X 10	2	2			2	2		
35	1	26106-060202	BOLT M 6X 20 PLATED	2	2			2	2		
36	1	26106-060252	BOLT M 6X 25 PLATED	2	2			2	2		
36-1	1	26106-060122	BOLT M 6X 12 PLATED	2							N
(B=X)											
37	1	26106-100302	BOLT M10X 30 PLATED	2	2			2	2		
38	1	114351-78260	DYNAMO ASSY (12V-3A)	1	1			1	1		
39	2	114351-78770	STATOR ASSY,(132.1MM)	1	1			1	1		
40	2	114351-78780	WHEEL (STATOR)132.1MM	1	1			1	1		
41	1	160710-78710	CLAMP, CORD	1	1			1	1		
42	1	26476-060142	BOLT M 6X 14, TAPPING	1	1			1	1		
43	1	26476-060202	BOLT M 6X 20, TAPPING	3	3			3	3		
44	1	26577-060142	SCREW M 6X 14	3	3			3	3		
45	1	114351-77620	BRACKET, ST.SWITCH	1						1	H
46	1	114351-77630	WASHER	2						2	H
47	1	26106-060702	BOLT M 6X 70 PLATED	2						2	H

Remarks  
 (H) OPTIONAL PARTS

Fig.14. TOOLS / LABELS & GASKET SET

(A)=  
(B)=L40AE-D/DE  
(C)=L48AE-D/DE  
(D)=  
(E)=L40AE-S/SE  
(F)=L48AE-S/SE

Fig. 14 TOOL, LABEL & GASKET SET



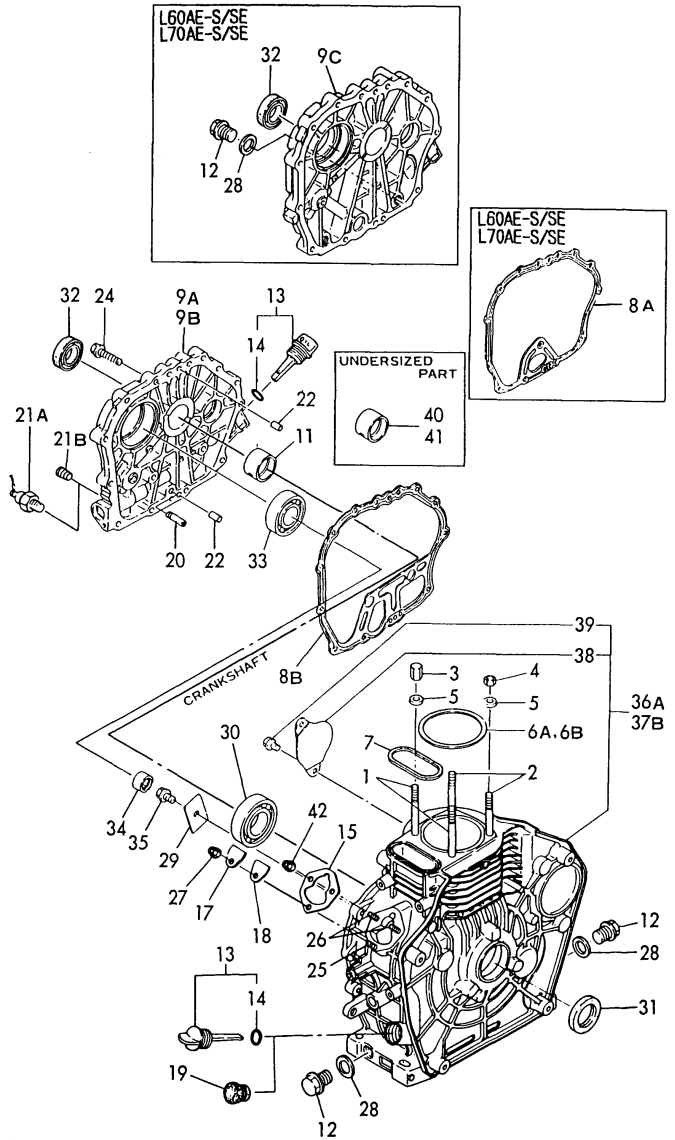
No.	Lev.	Parts No.	Description	Q'ty						I	R
				(A)	(B)	(C)	(D)	(E)	(F)		
1	1	114250-92600	BAG, TOOL	1	1			1	1		
2	1	160330-92730	SCREWDRIVER	1	1			1	1		
3	1	28110-100120	WRENCH 10X12	1	1			1	1		
4	1	28110-140170	WRENCH 14X17	1	1			1	1		
5	1	28210-000150	FEEDER, OIL	1	1			1	1		
6	1	114250-92101	F.W. LOCKING HANDLE	1	1			1	1		Y
7	1	114250-92130	REMOVER, FLYWHEEL	1	1			1	1		Y
9	2	26116-060454	BOLT M 6X 45 PLATED	4	4			4	4		Y
10	2	26116-080454	BOLT M 8X 45 PLATED	3	3			3	3		Y
11	2	26716-060002	NUT 6	8	8			8	8		Y
12	2	26716-080002	NUT M 8	6	6			6	6		Y
13	1	114268-92300	GUIDE, OIL SEAL	1	1						Y
14	1	114250-92301	GUIDE, OIL SEAL					1	1		Y
15	1	114250-92311	INSTALLING TOOL	1	1			1	1		Y
16	1	114250-92350	INSTALLING TOOL	1	1			1	1		Y
17	1	114270-07050	LABEL, (L40A)	1				1			
18	1	114770-07050	LABEL, (L48A)		1				1		
19	1	114250-07090	LABEL, AIR COOLED	1	1			1	1		
20	1	114250-07110	LABEL, YANMAR	1	1			1	1		
21	1	183250-07230	LABEL, OPERATION	1	1			1	1		
22	1	114268-07240	LABEL, CAUTION	1	1			1	1		
23	1	114250-07250	LABEL, HOW TO START	1	1			1	1		
24	1	114250-07260	LABEL, OPERATION	1	1			1	1		
25	1	114268-07260	LABEL, CAUTION	1	1			1	1		
26	1	114268-07280	LABEL, PRECAUTION	1	1						
27	1	114250-07350	LABEL, YANMAR DIESEL	1	1			1	1		
28	1	114268-07350	LABEL, HOW TO START	1	1			1	1		
29	1	114268-07360	LABEL, HOW TO START(F	1	1						
30A	1	714270-92600	GASKET SET	1				1			
30B	1	714770-92600	GASKET SET		1				1		
31A	2	114250-01340	GASKET, CYL. HEAD	1				1			
31B	2	114770-01340	GASKET, CYL. HEAD		1				1		
32	2	114250-01380	O-RING	1	1			1	1		
33A	2	114250-01411	GASKET, CRANK CASE	1	1			1	1		
33B	2	114250-01412	GASKET, CRANK CASE	1	1			1	1		
34	2	24311-000180	O-RING 1A P-18.0	2	2			2	2		
35	2	114250-01840	GASKET	1	1			1	1		
36	2	43400-500490	SEAL WASHER 16	2	2			2	2		
37	2	114250-11340	SEAL, VALVE STEM	2	2			2	2		
38	2	114250-11460	GASKET, NOZZLE	1	1			1	1		
39	2	114250-11310	GASKET, BONNET	1	1			1	1		
40	2	114250-12200	GASKET, AIR INTAKE	1	1			1	1		
41A	2	114250-12210	GASKET, AIR CLEANER	1	1			1	1		
41B	2	114252-12210	GASKET, AIR CLEANER	1	1			1	1		
42	2	114250-13200	GASKET, MUFFLER	1	1			1	1		
43	2	103338-32570	O-RING	1	1			1	1		
44	2	114250-35270	GASKET, L.O. STRAINER					1	1		

Remarks  
(Y) OPTIONAL PARTS

Fig.15. CYLINDER BLOCK

(A)= (D)=  
 (B)=L60AE-D/DE (E)=L60AE-S/SE  
 (C)=L70AE-D/DE (F)=L70AE-S/SE

Fig. 15 CYLINDER BLOCK



No.	Lev.	Parts No.	Description	Q'ty						I	R
				(A)	(B)	(C)	(D)	(E)	(F)		
1	1	114350-01200	STUD, CYL. HEAD	2	2		2	2			
2	1	114350-01210	STUD, CYL. HEAD	2	2		2	2			
3	1	114350-01220	NUT 9	2	2		2	2			
4	1	114350-01250	NUT 9	2	2		2	2			
5	1	105225-01240	WASHER	4	4		4	4			
6A	1	114350-01340	GASKET, CYL. HEAD	1				1			
6B	1	114870-01340	GASKET, CYL. HEAD			1				1	
7	1	114350-01380	O-RING	1	1			1	1		
8A	1	114350-01411	GASKET, CRANK CASE					1	1		
8B	1	114350-01412	GASKET, CRANK CASE	1	1						
9	1	114368-01452	COVER (D),CRANK CASE	1	1						
9B	1	114360-01453	COVER (D),CRANK CASE	1	1					#	
9C	1	114350-01452	COVER (S),CRANK CASE					1	1		
11	1	114350-02100	BEARING, MAIN	1	1			1	1		
12	1	105425-01690	PLUG M16	2	2			3	3		
13	1	160910-01740	CAP, W/LUB.OIL GAUGE	2	2			2	2		
14	2	24311-000180	O-RING 1A P-18.0	2	2			2	2		
15	1	114250-01800	SHIM SET	1	1			1	1		
17	1	114250-01830	COVER, INSPEC.WINDOW	1	1			1	1		
18	1	114250-01840	GASKET	1	1			1	1		
19	1	160110-01870	PLUG, RUBBER W/SCREW	1	1			1	1		
20	1	114250-35150	PIPE, L.O. INLET	1	1						
21A	1	183250-39450	SENDER, OIL PRESSURE	1						Y	
21B	1	23871-010000	PLUG PT1/8,SCREW	1	1			1	1		
22	1	22312-080120	PARALLEL PIN 8X12	2	2			2	2		
24	1	26106-080352	BOLT M 8X 35 PLATED	15	15			15	15		
25	1	26226-060182	STUD M 6X 18 PLATED	1	1			1	1		
26	1	26226-060222	STUD M 6X 22 PLATED	2	2			2	2		
27	1	26366-060002	NUT M 6	3	3			3	3		
28	1	43400-500490	SEAL WASHER 16	4	4			3	3		
29	1	114250-02030	RETAINER, BEARING	1	1			1	1		
30	1	114350-02113	BALL BEARING	1	1			1	1		
31	1	160110-02220	SEAL, OIL	1	1			1	1		
32	1	160110-02220	SEAL, OIL	1	1			1	1		
33	1	24101-062060	BALL BEARING	1	1			1	1		
34	1	24162-152112	NEEDLE BEARING	1	1			1	1		
35	1	26106-080122	BOLT M 8X 12 PLATED	1	1			1	1		
36A	1	714371-01560	BLOCK ASSY, CYLINDER	1				1			
36B	1	714871-01560	BLOCK ASSY, CYLINDER			1			1		
38	2	114350-01700	COVER, STARTER	1	1			1	1		
39	2	26106-100122	BOLT M10X 12 PLATED	2	2			2	2		
40	1	114350-02200	MAIN BEARING US=0.25	1	1			1	1	H	
41	1	114350-02210	MAIN BEARING US=0.50	1	1			1	1	H	

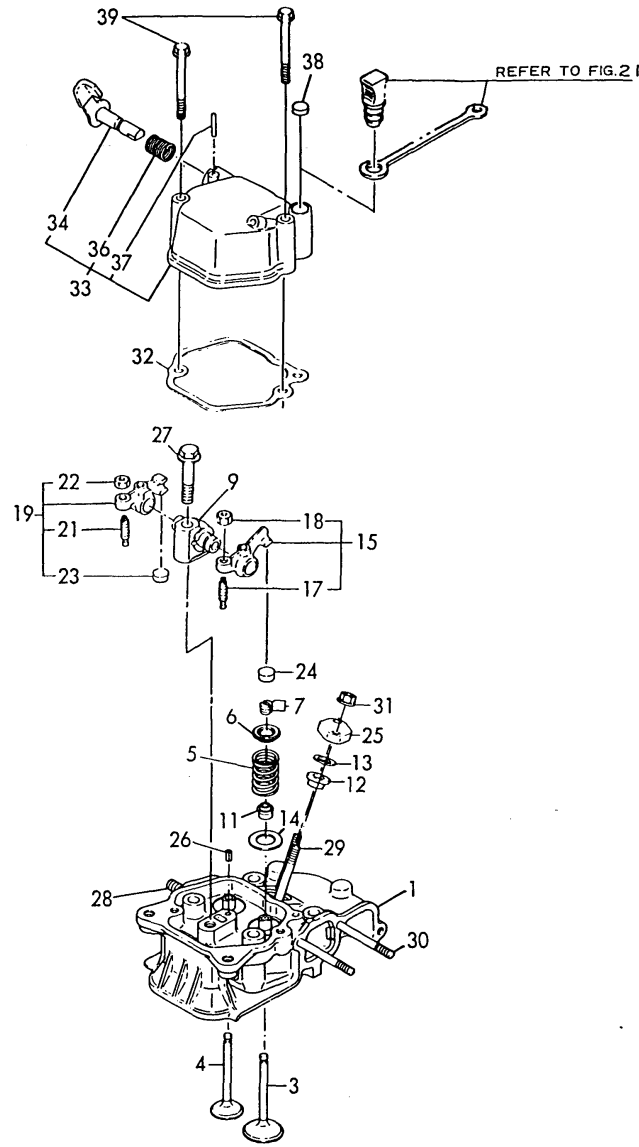
Remarks  
 (Y) FOR L60AE-DGMO/DEGMO  
 (H) UNDER SIZED PARTS  
 (#) FOR L60AE/L70AE-D(E)F

Fig.16. CYLINDER HEAD & BONNET

(A)=  
(B)=L60AE-D/DE  
(C)=L70AE-D/DE

(D)=  
(E)=L60AE-S/SE  
(F)=L70AE-S/SE

Fig. 16 CYLINDER HEAD & BONNET

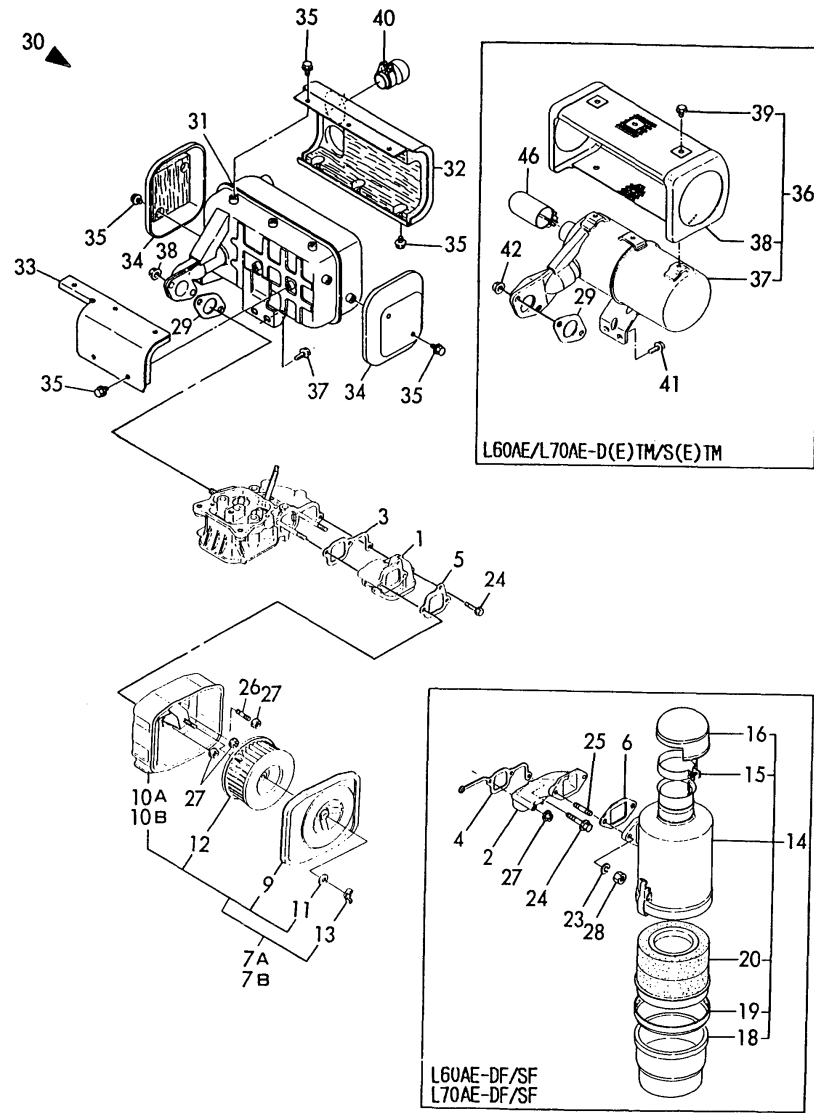


No.	Lev.	Parts No.	Description	Q'ty						I	R
				(A)	(B)	(C)	(D)	(E)	(F)		
1	1	114350-11021	HEAD ASSY, CYLINDER	1	1			1	1		M
1-1	1	114870-11021	HEAD ASSY, CYLINDER	1	1			1	1		N M
		(B=E06494)	(C=E06494)			(E=E06495)			(F=E06495)		
1-2	1	114870-11020	HEAD ASSY, CYLINDER	1	1			1	1		
3	1	114350-11101	VALVE, SUCTION	1	1			1	1		
4	1	114350-11113	VALVE, EXHAUST	1	1			1	1		
5	1	114350-11120	SPRING, VALVE	2	2			2	2		
6	1	101158-11180	RETAINER, SPRING	2	2			2	2		
7	1	27310-060001	COTTER ASSY	2	2			2	2		
9	1	114250-11290	SUPPORT, ROCKER ARM	1	1			1	1		
11	1	114350-11340	SEAL, VALVE STEM	2	2			2	2		
12	1	114250-11460	GASKET, NOZZLE	1	1			1	1		
13	1	114350-11470	SPACER, NOZZLE	1	1			1	1		
14	1	114250-11600	WASHER	2	2			2	2		
15	1	114250-11651	ARM ASSY, INTAKE	1	1			1	1		
17	2	114250-11240	SCREW, VALVE ADJUST.	1	1			1	1		
18	2	26756-060002	LOCK NUT 6	1	1			1	1		
19	1	714370-11660	ARM ASSY, EXHAUST	1	1			1	1		
21	3	114250-11240	SCREW, VALVE ADJUST.	1	1			1	1		
22	3	26756-060002	LOCK NUT 6	1	1			1	1		
23	2	105010-11490	CAP, VALVE	1	1			1	1		
24	1	105010-11490	CAP, VALVE	1	1			1	1		
25	1	114250-11900	RETAINER, NOZZLE	1	1			1	1		
26	1	22351-040008	SPRING PIN 4X 8	1	1			1	1		
27	1	26106-080452	BOLT M 8X 45 PLATED	1	1			1	1		
28	1	26216-080182	STUD M 8X 18 PLATED	2	2			2	2		
29	1	26226-060502	STUD M 6X 50	2	2			2	2		
30	1	26226-060552	STUD M6X 55 PLATED	2	2			2	2		
31	1	26366-060002	NUT M 6	2	2			2	2		
32	1	114250-11310	GASKET, BONNET	1	1			1	1		
33	1	114250-11951	BONNET ASSY, HEAD	1	1			1	1		
34	2	114250-03591	SHAFT ASSY, DECOMP.	1	1			1	1		
36	2	114250-03640	SPRING	1	1			1	1		
37	2	22312-030160	PARALLEL PIN 3X16	1	1			1	1		
38	1	129100-61850	PLUG 12,BORE	1	1			1	1		
39	1	26106-060552	BOLT M 6X 55 PLATED	2	2			2	2		

Remarks  
(M) MISPRINT.

Fig.17. AIR CLEANER & MUFFLER

Fig. 17 AIR CLEANER & MUFFLER



(A)=  
(B)=L60AE-D/DE  
(C)=L70AE-D/DE

(D)=  
(E)=L60AE-S/SE  
(F)=L70AE-S/SE

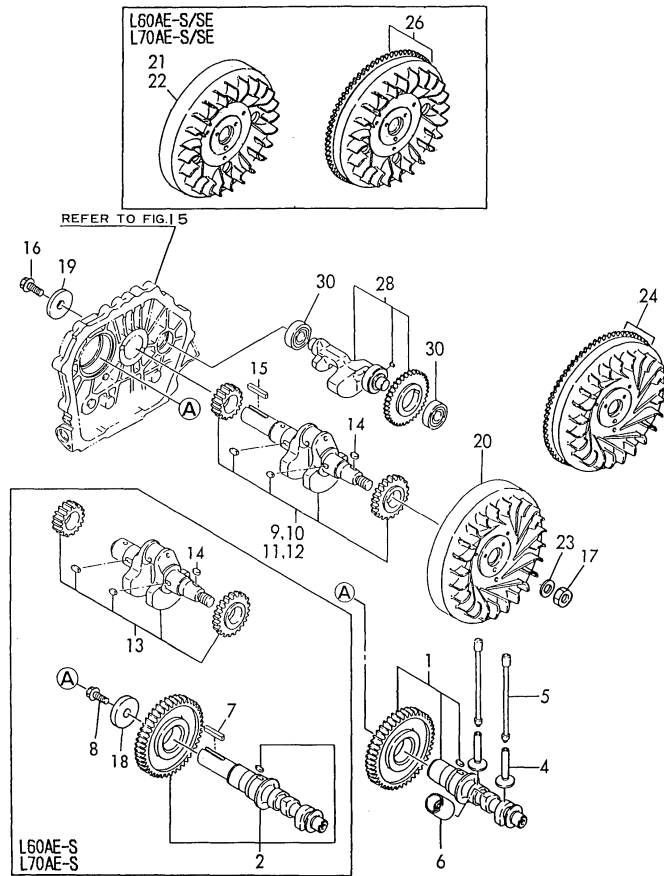
No.	Lev.	Parts No.	Description	Q'ty						I	R
				(A)	(B)	(C)	(D)	(E)	(F)		
1	1	114350-12011	PIPE, AIR INTAKE	1	1		1	1			
2	1	114352-12010	PIPE, AIR INTAKE	1	1		1	1		%	
3	1	114350-12200	GASKET, AIR INTAKE	1	1		1	1			
4	1	114350-12201	GASKET, AIR INTAKE	1	1		1	1		%	
5	1	114250-12210	GASKET, AIR CLEANER	1	1		1	1			
6	1	114352-12210	GASKET, AIR CLEANER	1	1		1	1		%	
7A	1	714250-12560	CLEANER ASSY, AIR	1	1		1	1			
7B	1	714268-12581	CLEANER ASSY, AIR	1	1					H	
9	3	114250-12520	COVER, AIR CLEANER	1	1		1	1			
10A	3	114250-12530	CASE, AIR CLEANER	1	1		1	1			
10B	3	114250-12980	CASE, AIR CLEANER	1	1					H	
11	3	114250-12560	WASHER M 6, SEAL	1	1		1	1			
12	3	114250-12580	ELEMENT, WET AIR	1	1		1	1			
13	2	114250-12550	WING-NUT, M 6	1	1		1	1			
14	1	114352-12700	CLEANER ASSY.OILBATH	1	1		1	1		%	
15	2	160820-12300	BAND	1	1		1	1		%	
16	2	114252-12660	CAP,AIRCLEANER	1	1		1	1		%	
18	2	160820-12770	SUMP, OIL	1	1		1	1		%	
19	2	160820-12780	RING	1	1		1	1		%	
20	2	114352-12720	ELEMENT, AIR CLEANER	1	1		1	1		%	
23	1	22217-080000	SPRING WASHER 8	2	2		2	2			
24	1	26106-060252	BOLT M 6X 25 PLATED	2	2		2	2			
25	1	26216-080182	STUD M 8X 18 PLATED	2	2		2	2			
26	1	26226-060142	STUD M 6X 14 PLATED	1	1		1	1			
27	1	26366-060002	NUT M 6	3	3		3	3			
28	1	26716-080002	NUT M 8	2	2		2	2			
29	1	114250-13200	GASKET, MUFFLER	1	1		1	1			
30	1	114870-13550	MUFFLER ASSY	1	1		1	1			
31	2	114870-13560	MUFFLER	1	1		1	1			
32	2	114870-13700	COVER(A), MUFFLER	1	1		1	1			
33	2	114870-13710	COVER(B), MUFFLER	1	1		1	1			
34	2	114870-13720	COVER(C), MUFFLER	2	2		2	2			
35	2	26106-060082	BOLT M 6X 8 PLATED	12	12		12	12			
36	1	114368-13500	MUFFLER W/COVER	1	1		1	1		#	
37	2	114368-13510	MUFFLER	1	1		1	1		#	
38	2	114268-13700	COVER, MUFFLER	1	1		1	1		#	
39	2	26106-060082	BOLT M 6X 8 PLATED	6	6		6	6		#	
40	1	114268-13800	EXTENSION, EXH.	1	1		1	1		#	
41	1	26106-060122	BOLT M 6X 12 PLATED	2	2		2	2			
42	1	26366-080002	NUT M 8	2	2		2	2			

Remarks  
 (%) FOR L60AE/L70AE-D(E)F/S(E)F  
 (H) FOR L60AE/L70AE-D(E)V  
 (#) FOR L60AE/70AE-D(E)TM/S(E)TM

Fig.18. CAM/CRANK/BARANCER SHAFT

(A)= (D)=  
 (B)=L60AE-D/DE (E)=L60AE-S/SE  
 (C)=L70AE-D/DE (F)=L70AE-S/SE

Fig. 18 CRANKSHAFT & CAMSHAFT



L60AE-D/L70AE-D  
 CRANK SHAFT

Ref. No.	MAGNIFIED AXIAL END	S C R E W S I Z E	K E Y S I Z E	Ref. No.	MAGNIFIED AXIAL END	S C R E W S I Z E
				12		1"-14UNF
9		7/16-20UNF	6.3x50			
11		M8x1.25	7x36	10		5/16-24UNF

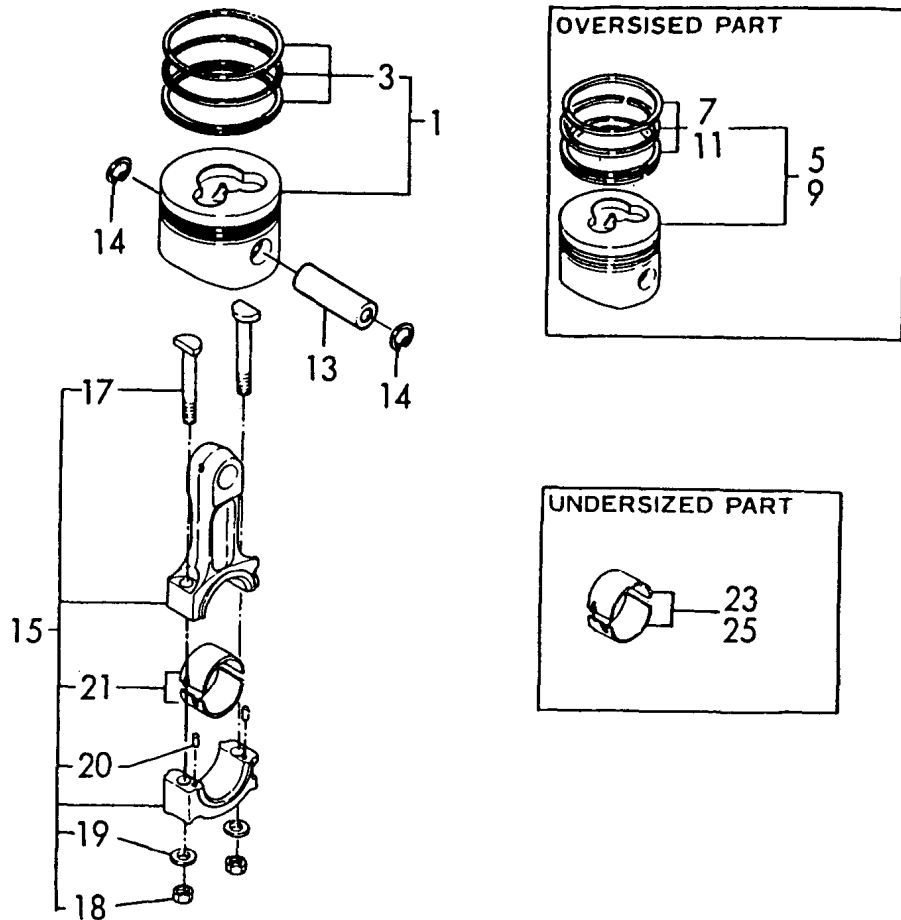
No.	Lev.	Parts No.	Description	Q'ty						I	R
				(A)	(B)	(C)	(D)	(E)	(F)		
1	1	714880-14580	CAMSHAFT (D) ASSY	1	1						
2	1	714870-14580	CAMSHAFT(S) ASSY.					1	1		
3F	2	114870-14100	GEAR, CAMSHAFT	1	1			1	1		
4	1	114250-14200	TAPPET	2	2			2	2		
5	1	114350-14450	ROD, PUSH	2	2			2	2		
6	1	114250-14260	TAPPET, FUEL	1	1			1	1		
7	1	22512-070360	KEY 7X 36						1	1	
8	1	26106-080202	BOLT M 8X 20 PLATED						1	1	
9	1	714388-21700	CRANKSHAFT ASSY(D/DE	1	1						J
10	1	714388-21730	CRANKSHAFT ASSY (DG	1							P
11	1	714388-21740	CRANKSHAFT ASY(DV/DF	1	1						G
12	1	714388-21760	CRANKSHAFT ASSY(DP	1	1						M
13	1	714378-21710	CRANKSHAFT ASSY(S/SE						1	1	
13F	2	114870-21200	GEAR, CRANKSHAFT	1	1				1	1	
13H	2	114870-21220	GEAR, BLANCERSHAFT	1	1				1	1	
14	1	22512-040120	KEY 4X 12	1	1				1	1	
15	1	160842-21150	KEY 6.3X50	1	1						
16	1	160842-21250	BOLT 7/16-20UNF	1	1						
17	1	103854-01221	NUT M16	1	1				1	1	
18	1	160310-14550	WASHER						1	1	
19	1	160842-21260	WASHER	1	1						
20	1	114880-21400	FLYWHEEL (D)	1	1						
21	1	114870-21400	FLYWHEEL (S)							1	1
22	1	114870-21410	FLYWHEEL (SF)							1	1
23	1	114250-21550	WASHER, FLYWHEEL	1	1				1	1	
24	1	114881-21590	FLYWHEEL W/RING GEAR	1	1						
26	1	114871-21590	FLYWHEEL(SE) W/GEAR							1	1
28	1	714870-28510	SHAFT ASSY, BALANCER	1	1					1	1
30	1	24101-062024	BALL BEARING	2	2				2	2	

Remarks

- (G) FOR L60AE/L70AE-D(E)F & L60AE/L70AE-D(E)V
- (M) FOR L60AE/L70AE-D(E)P
- (P) FOR L60AE-DGMO/DEGMO
- (#) FOR L60AE/L70AE-S(E)F
- (J) FOR L60AE/L70AE-D(E)/D(E)TM

Fig.19. PISTON & ROD

# Fig. 19 PISTON & CONNECTING ROD



(A)=  
(B)=L60AE-D/DE  
(C)=L70AE-D/DE

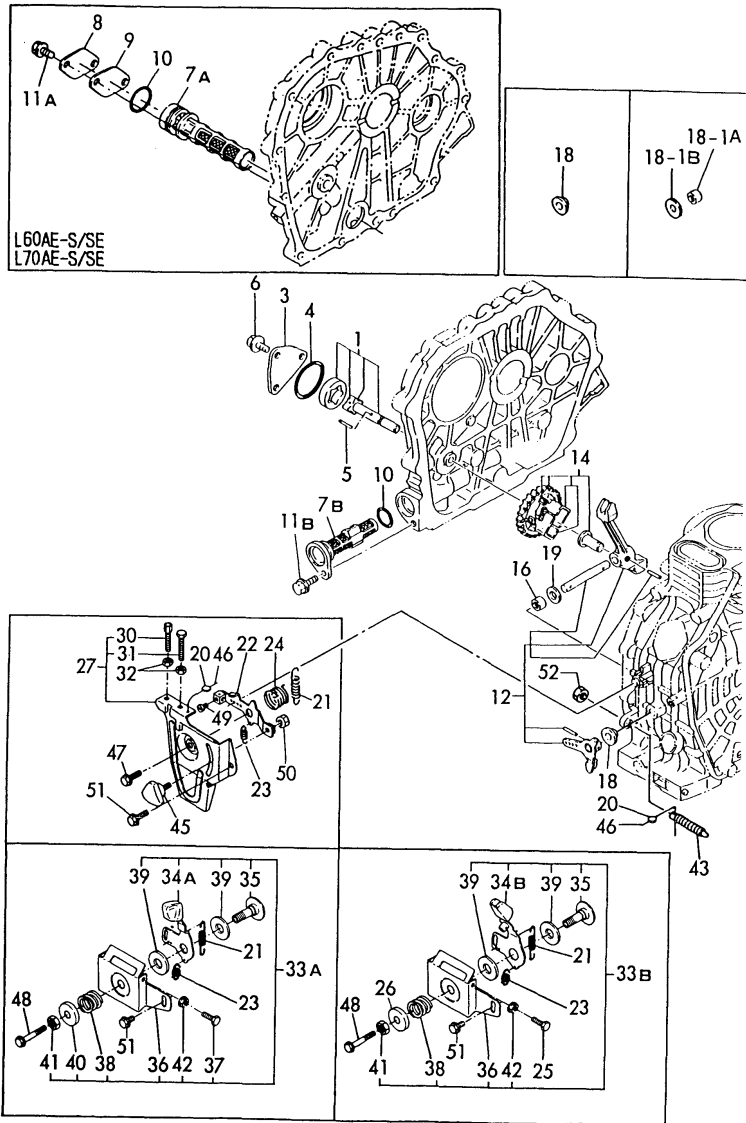
(D)=  
(E)=L60AE-S/SE  
(F)=L70AE-S/SE

No.	Lev.	Parts No.	Description	Q'ty						I	R	
				(A)	(B)	(C)	(D)	(E)	(F)			
1A	1	714380-22720	PISTON W/RINGS		1							
1B	1	714880-22720	PISTON W/RINGS			1						
1C	1	714370-22720	PISTON W/RINGS						1			
1D	1	714870-22720	PISTON W/RINGS								1	
3A	2	714350-22502	RING SET, PISTON		1			1				
3B	2	714870-22500	RING SET, PISTON			1					1	
5A	1	714380-22620	PISTON W/RING OS=.25		1							H
5B	1	714880-22620	PISTON W/RING OS=.25			1						H
5C	1	714370-22620	PISTON W/RING OS=.25						1			H
5D	1	714870-22620	PISTON W/RING OS=.25							1		H
7A	2	714350-22542	RING SET O.S=0.25		1			1				H
7B	2	714870-22540	RING SET O.S=0.25			1				1		H
9A	1	714380-22580	PISTON W/RING OS=0.5		1							H
9B	1	714880-22580	PISTON W/RING OS=0.5			1						H
9C	1	714370-22580	PISTON W/RING OS=0.5						1			H
9D	1	714870-22580	PISTON W/RING OS=0.5							1		H
11A	2	714350-22550	RING SET O.S=0.5		1			1				H
11B	2	714870-22550	RING SET O.S=0.50			1				1		H
13	1	114350-22301	PIN, PISTON D=21		1	1		1	1			
14	1	22252-000210	CIRCLIP 21		2	2		2	2			
15	1	714350-23704	ROD ASSY, CONNECTING		1	1		1	1			
15-1	1	714380-23700	ROD ASSY, CONNECTING		1	1		1	1			N
		(B=E83178) (C=E33814)			(E=E83235)			(F=E37972)				
17	2	114250-23200	BOLT, ROD		2	2		2	2			
17-1	2	118200-23200	BOLT, ROD		2	2		2	2			S
		(B=E83178) (C=E33814)			(E=E83235)			(F=E37972)				
18	2	114250-23220	NUT, ROD BOLT		2	2		2	2			Z
		(B=E83178) (C=E33814)			(E=E83235)			(F=E37972)				
19	2	114250-23250	WASHER		2	2		2	2			Z
		(B=E83178) (C=E33814)			(E=E83235)			(F=E37972)				
20	2	22312-030080	PARALLEL PIN 3X 8		2	2		2	2			Z
		(B=E83178) (C=E33814)			(E=E83235)			(F=E37972)				
21	2	714350-23600	BEARING, CRANKPIN		1	1		1	1			
21-1	2	714380-23600	BEARING, CRANK PIN		1	1		1	1			S
		(B=E83178) (C=E33814)			(E=E83235)			(F=E37972)				
22A	2	114380-23100	BUSH, PISTON PIN		1	1		1	1			W
		(B=E83178) (C=E33814)			(E=E83235)			(F=E37972)				
23	1	714350-23610	BEARING, PIN(U.S=0.25		1	1		1	1			H
23-1	1	714380-23610	BEARING, PIN(U.S=0.25		1	1		1	1			S H
		(B=E83178) (C=E33814)			(E=E83235)			(F=E37972)				
25	1	714350-23620	BEARING, PIN(U.S=0.50		1	1		1	1			H
25-1	1	714380-23620	BEARING, PIN(U.S=0.50		1	1		1	1			S H
		(B=E83178) (C=E33814)			(E=E83235)			(F=E37972)				

Remarks  
(H) OVERSIZED & UNDERSIZED PARTS  
\* REF.NO.21-1,23-1,25-1  
INTERCHANGABLE BY SET.

Fig.20. L.O. DEVICE & GOVERNOR CONTROL

Fig. 20 LUB. OIL PUMP & GOVERNOR



(A)= (D)=  
 (B)=L60AE-D/DE (E)=L60AE-S/SE  
 (C)=L70AE-D/DE (F)=L70AE-S/SE

No.	Lev.	Parts No.	Description	Q'ty						I	R
				(A)	(B)	(C)	(D)	(E)	(F)		
1	1	114250-32010	PUMP ASSY, LUB.OIL	1	1			1	1		
3	1	114250-32070	COVER, LUB. OIL PUMP	1	1			1	1		
4	1	103338-32570	O-RING	1	1			1	1		
5	1	22312-030160	PARALLEL PIN 3X16	1	1			1	1		
6	1	26476-060142	BOLT M 6X 14,TAPPING	3	3			3	3		
7A	1	114250-35060	STRAINER, LUB. OIL					1	1		
7B	1	114250-35070	STRAINER, LUB. OIL	1	1						
8	1	114250-35250	COVER					1	1		
9	1	114250-35270	GASKET, L.O.STRAINER					1	1		
10	1	24341-000224	O-RING 1A S-22.4	1	1			1	1		
11A	1	26106-060122	BOLT M 6X 12 PLATED					2	2		
11B	1	26106-060162	BOLT M 6X 16 PLATED	1	1						
12	1	714350-61500	LEVER ASSY, GOVERNOR	1	1			1	1		
14	1	714770-61700	GOVERNOR ASSY	1	1			1	1		
16	1	121450-61520	NEEDLE BEARING FJ810	2	2			2	2		
18	1	114250-61900	BUSH, THRUST	1	1			1	1		
19	1	22137-080000	WASHER 8, POLISHED	1	1			1	1		
20	1	135210-61090	LEAD	2	2			2	2		
21	1	114870-66010	SPRING, REGULATOR	1	1			1	1		
22	1	114250-66050	HANDLE, REGULATOR	1	1			1	1		
23	1	114250-66200	SPRING, RETURN	1	1			1	1		
24	1	114252-66252	SPRING, RETURN	1	1			1	1		
25	1	114250-66440	BOLT, ADJUSTING	1	1						Y
26	1	114254-66220	SUPPORT	1	1						Y
27	1	714268-66500	BRACKET ASSY,REGULAT	1	1			1	1		
30	3	102100-67080	BOLT, ADJUSTING	1	1			1	1		
31	3	114250-66440	BOLT, ADJUSTING	1	1			1	1		
32	2	26756-060002	LOCK NUT 6	2	2			2	2		
33A	1	183250-66500	BRACKET ASSY,REGULAT	1	1						H
33B	1	114254-66200	BRACKET ASSY,REGULAT	1	1						Y
34A	2	183250-66050	HANDLE, REGULATOR	1	1						H
34B	2	114254-66210	HANDLE, REGULATOR	1	1						Y
35	2	183250-66070	SHAFT, HANDLE	1	1						H
36	2	183250-66100	BRACKET, REGULATOR	1	1						H
37	2	114250-66440	BOLT, ADJUSTING	1	1						H
38	2	104200-66820	SPRING	1	1						H
39	2	104200-66830	PLATE, FRICTION	2	2						H
40	2	104200-66850	WASHER (B)	1	1						H
41	2	26696-100002	NUT M10	1	1						H
42	2	26756-060002	LOCK NUT 6	1	1						H
43	1	114250-66550	TORQUE SPRING ASSY	1	1			1	1		
45	1	160725-78350	KNOB (W/M6X15)	1	1			1	1		
46	1	22451-060000	WIRE 0.6	2	2			2	2		
47	1	26106-060202	BOLT M 6X 20 PLATED	1	1			1	1		
48	1	26106-060452	BOLT M 6X 45 PLATED	1							#
49	1	26116-040088	BOLT M 4X 8 PLATED	2	2			1	1		
50	1	26346-060002	U-NUT M 6 PLATED	1	1			1	1		
51	1	26476-060142	BOLT M 6X 14,TAPPING	1	1			1	1		
52	1	26696-100002	NUT M10	1	1			1	1		

Remarks  
 (H) FOR L60AE-DGMO/DEGMO &  
 L70AE/60AE-D(E)TM/S(E)TM  
 (#) FOR L60AE-DGMO/DEGMO  
 (Y) FOR L60AE/70AE-D(E)V



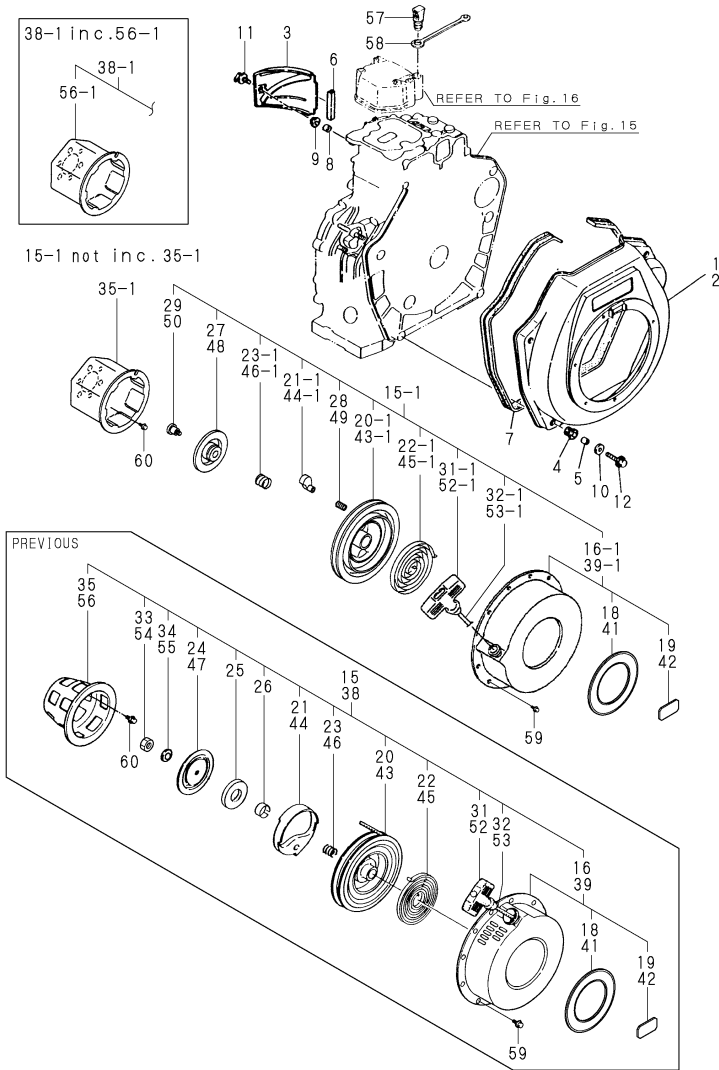
# Fig.21. COOLING & RECOIL STARTER

(A)=  
(B)=L60AE-D/DE  
(C)=L70AE-D/DE

(D)=  
(E)=L60AE-S/SE  
(F)=L70AE-S/SE

P/C NEWS No:Y00R3981-2  
PUBLISHED:2002/11

Fig.21 COOLING & STARTING DEVICE



No.	Lev.	Parts No.	Description	Q'ty						I	R
				(A)	(B)	(C)	(D)	(E)	(F)		
1	1	114360-45101	CASE,FAN(SILVER)(17)	1	1						
2	1	114870-45100	CASE,FAN(SILVER)(17)					1	1		
3	1	114870-45200	COVER, CYLINDER	1	1			1	1		
4	1	114250-45300	RUBBER, CUSHION	5	5			5	5		
5	1	114250-45310	COLLAR	5	5			5	5		
6	1	114350-45320	RUBBER, SEAL	1	1			1	1		
7	1	114250-45330	SEAL, FAN CASE	1	1			1	1		
8	1	114350-45340	COLLAR	1	1			1	1		
9	1	183720-55210	GROMMET	1	1			1	1		
10	1	160120-76940	WASHER	5	5			5	5		
11	1	26476-060202	BOLT M 6X 20, TAPPING	1	1			1	1		
12	1	26476-060252	BOLT M 6X 25, TAPPING	5	5			5	5		
15	1	714880-76820	RECOIL(D) W/PULLEY	1	1						
15-1	1	714880-76821	RECOIL(D) W/O PULLEY	1	1						F 1
		(B=*2000.06)	(C=*2000.06)								
16	2	714880-76830	CASE, STARTER W/LABEL	1	1						
16-1	2	714880-76831	CASE, STARTER W/LABEL	1	1						S
		(B=*2000.06)	(C=*2000.06)								
18	3	114250-07350	LABEL, YANMAR DIESEL	1	1						
19	3	114370-07050	LABEL(L60A)	1	1						
19A	3	114450-07050	LABEL(L50)	1	1						
19B	3	114470-07050	LABEL(L50A)	1	1						
19C	3	114870-07050	LABEL(L70A)	1	1						
19D	3	183350-07120	LABEL(L60)	1	1						
20	2	160810-76520	REEL, RECOIL	1	1						
20-1	2	114880-76520	REEL, RECOIL	1	1						S
		(B=*2000.06)	(C=*2000.06)								
21	2	160840-76530	RATCHET	1	1						
21-1	2	114870-76530	RATCHET	2	2						S
		(B=*2000.06)	(C=*2000.06)								
22	2	160810-76540	SPRING, SPIRAL	1	1						
22-1	2	114870-76540	SPRING, SPIRAL	1	1						S
		(B=*2000.06)	(C=*2000.06)								
23	2	160840-76560	SPRING, FRICTION	1	1						
23-1	2	114870-76560	SPRING, FRICTION	1	1						S
		(B=*2000.06)	(C=*2000.06)								
24	2	160810-76580	PLATE, FRICTION	1	1						
25	2	114870-76520	PLATE, SLIDE	1	1						W
		(B=*2002.11)	(C=*2002.11)								
26	2	114873-76450	COVER, SPRING	1	1						W
		(B=*2002.11)	(C=*2002.11)								
27	2	114880-76550	GUIDE, RATCHET	1	1						W
		(B=*2000.06)	(C=*2000.06)								
28	2	114870-76570	SPRING, RETURN	2	2						W
		(B=*2000.06)	(C=*2000.06)								
29	2	114870-76580	SET SCREW	1	1						W
		(B=*2000.06)	(C=*2000.06)								
31	2	160810-76620	KNOB, STARTER	1	1						
31-1	2	114870-76620	KNOB, STARTER	1	1						S
		(B=*2000.06)	(C=*2000.06)								
32	2	160810-76630	ROPE, STARTER	1	1						

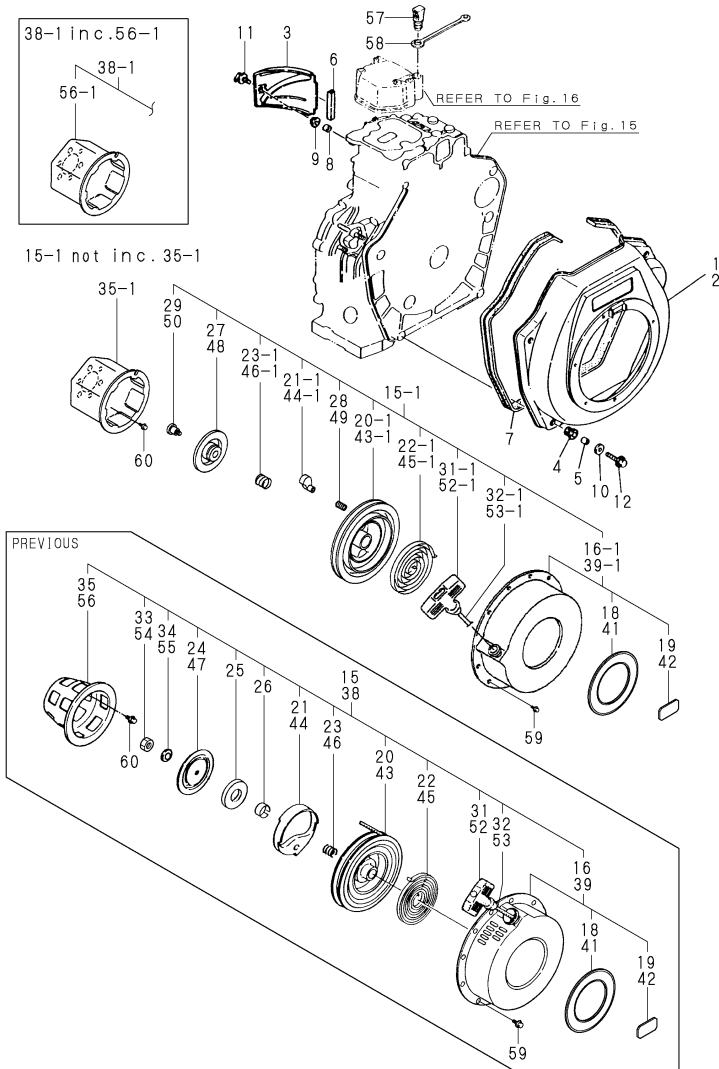
Remarks  
(1)INTERCHANGEABLE BY SIMULTANEOUS REPLACEMENT WITH NO.35-1.  
(2)LEVEL CHANGED:2->1

# Fig.21. COOLING & RECOIL STARTER

(A)= (D)=  
 (B)=L60AE-D/DE (E)=L60AE-S/SE  
 (C)=L70AE-D/DE (F)=L70AE-S/SE

P/C NEWS No:Y00R3981-2  
 PUBLISHED:2002/11

Fig.21 COOLING & STARTING DEVICE



No.	Lev.	Parts No.	Description	Q'ty						I	R
				(A)	(B)	(C)	(D)	(E)	(F)		
32-1	2	114870-76630	ROPE, STARTER (B=*2000.06) (C=*2000.06)	1	1						S
33	2	181130-76680	NUT		1	1					
34	2	181130-76700	WASHER		1	1					
35	2	114350-76590	PULLEY, STARTER		1	1					
35-1	1	114350-76591	PULLEY, STARTER (B=*2000.06) (C=*2000.06)		1	1					S 2
38	1	714870-76820	RECOIL(S) W/PULLEY					1	1		
38-1	1	714870-76821	RECOIL(S) W/PULLEY					1	1		N
				(E=*2000.06)				(F=*2000.06)			
39	2	714870-76830	CASE,STARTER W/LABEL					1	1		
39-1	2	714870-76831	CASE,STARTER W/LABEL					1	1		S
				(E=*2000.06)				(F=*2000.06)			
41	3	114250-07350	LABEL, YANMAR DIESEL					1	1		
42	3	114370-07050	LABEL(L60A)					1	1		
42A	3	114450-07050	LABEL(L50)					1	1		
42B	3	114470-07050	LABEL(L50A)					1	1		
42C	3	114870-07050	LABEL(L70A)					1	1		
42D	3	183350-07120	LABEL(L60)					1	1		
43	2	160810-76520	REEL, RECOIL					1	1		
43-1	2	114880-76520	REEL, RECOIL					1	1		S
				(E=*2000.06)				(F=*2000.06)			
44	2	160810-76530	RATCHET					1	1		
44-1	2	114870-76530	RATCHET					2	2		S
				(E=*2000.06)				(F=*2000.06)			
45	2	160810-76540	SPRING, SPIRAL					1	1		
45-1	2	114870-76540	SPRING, SPIRAL					1	1		S
				(E=*2000.06)				(F=*2000.06)			
46	2	160810-76560	SPRING, FRICTION					1	1		
46-1	2	114870-76560	SPRING, FRICTION					1	1		S
				(E=*2000.06)				(F=*2000.06)			
47	2	160810-76580	PLATE, FRICTION					1	1		
48	2	114870-76550	GUIDE, RATCHET					1	1		W
				(E=*2000.06)				(F=*2000.06)			
49	2	114870-76570	SPRING, RETURN					2	2		W
				(E=*2000.06)				(F=*2000.06)			
50	2	114870-76580	SET SCREW					1	1		W
				(E=*2000.06)				(F=*2000.06)			
52	2	160810-76620	KNOB, STARTER					1	1		
52-1	2	114870-76620	KNOB, STARTER					1	1		S
				(E=*2000.06)				(F=*2000.06)			
53	2	160810-76630	ROPE, STARTER					1	1		
53-1	2	114870-76630	ROPE, STARTER					1	1		S
				(E=*2000.06)				(F=*2000.06)			
54	2	181130-76680	NUT					1	1		
55	2	181130-76700	WASHER					1	1		
56	2	114350-76590	PULLEY, STARTER					1	1		
56-1	2	114350-76591	PULLEY, STARTER					1	1		S
				(E=*2000.06)				(F=*2000.06)			
57	1	114250-76600	PLUNGER		1	1		1	1		
58	1	114250-76610	HOLDER, PLUNGER		1	1		1	1		

Remarks  
 (1)INTERCHANGEABLE BY SIMULTANEOUS REPLACEMENT WITH NO.35-1.  
 (2)LEVEL CHANGED:2->1

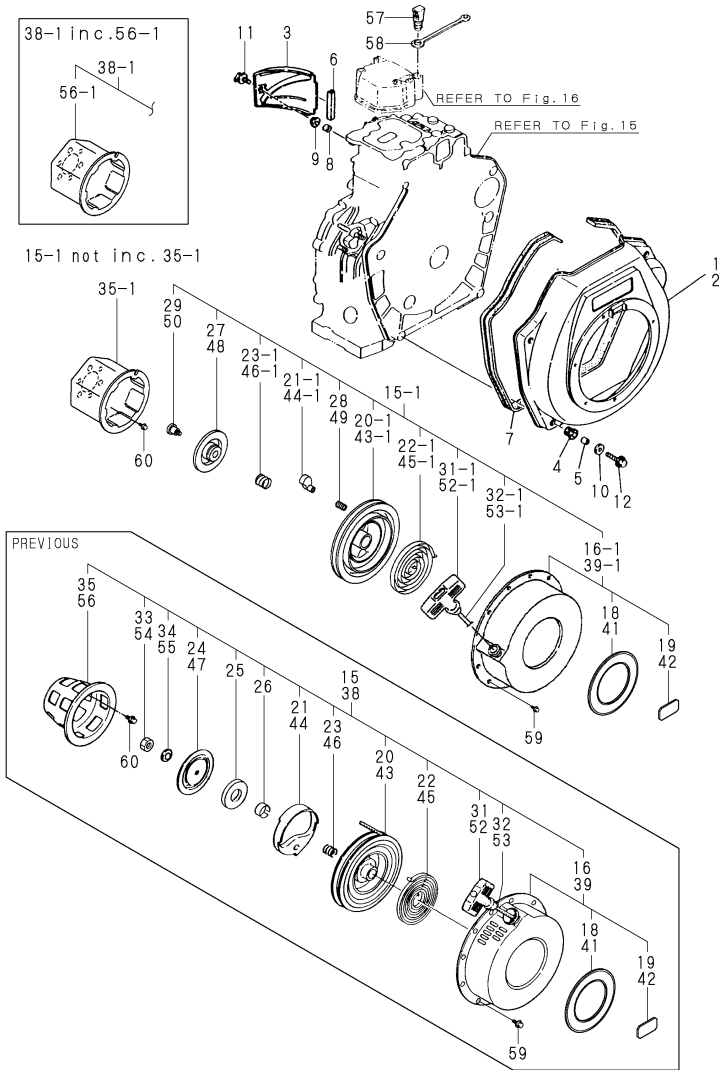
# Fig.21. COOLING & RECOIL STARTER

(A)=  
(B)=L60AE-D/DE  
(C)=L70AE-D/DE

(D)=  
(E)=L60AE-S/SE  
(F)=L70AE-S/SE

P/C NEWS No:Y00R3981-2  
PUBLISHED:2002/11

Fig.21 COOLING & STARTING DEVICE



No.	Lev.	Parts No.	Description	Q'ty						I	R
				(A)	(B)	(C)	(D)	(E)	(F)		
59	1	26106-060082	BOLT M 6X 8 PLATED	4	4		4	4			
60	1	26106-060122	BOLT M 6X 12 PLATED	3	3		3	3			

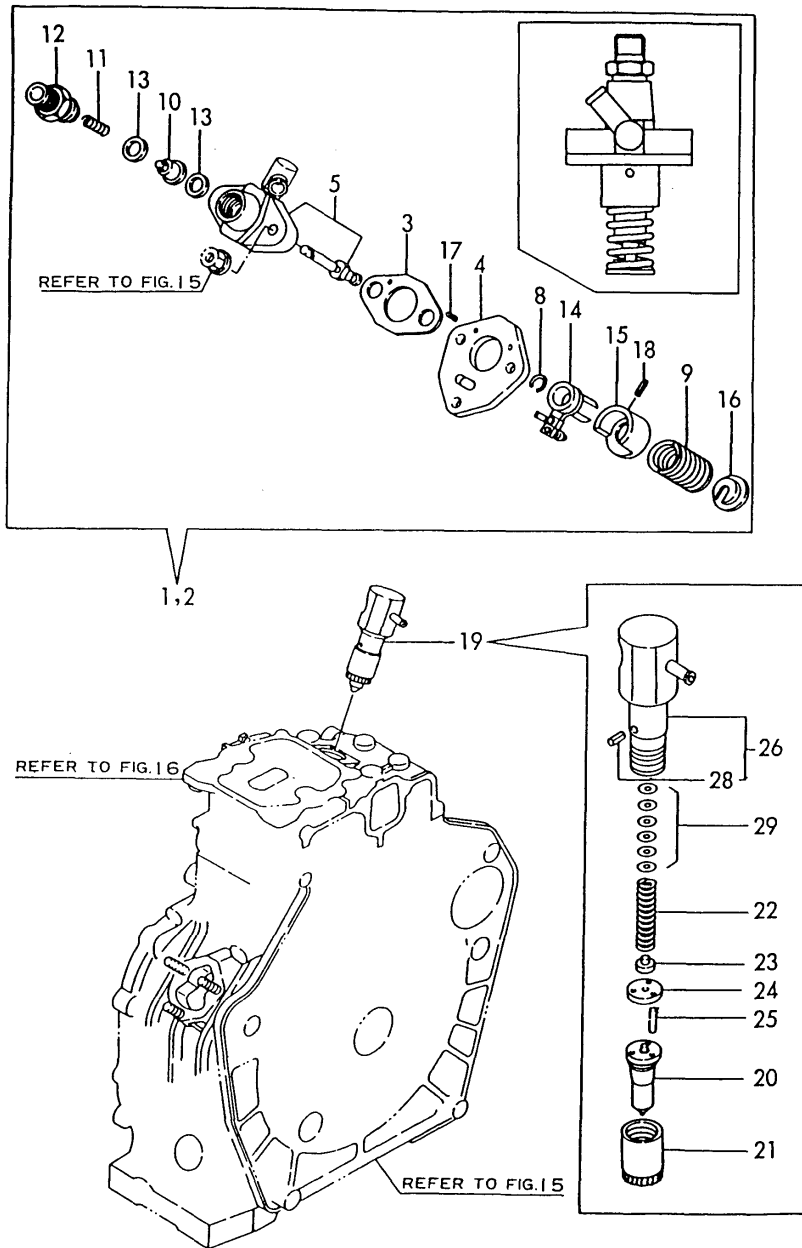
Remarks  
(1)INTERCHANGEABLE BY SIMULTANEOUS REPLACEMENT WITH NO.35-1.  
(2)LEVEL CHANGED:2->1

Fig.22. FUEL INJECTION PUMP & VALVE

(A)=  
(B)=L60AE-D/DE  
(C)=L70AE-D/DE

(D)=  
(E)=L60AE-S/SE  
(F)=L70AE-S/SE

Fig. **22** FUEL INJECTION PUMP & VALVE



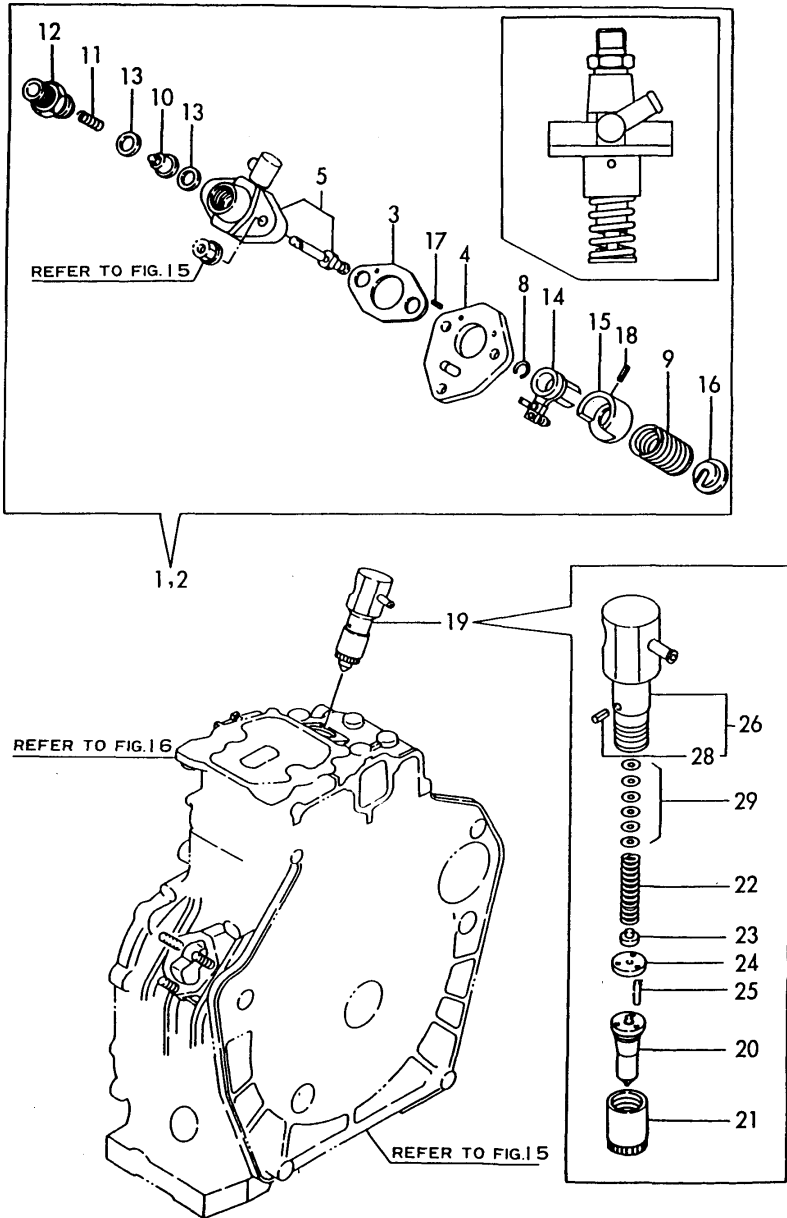
No.	Lev.	Parts No.	Description	Q'ty						I	R
				(A)	(B)	(C)	(D)	(E)	(F)		
1A	1	714350-51710	PUMP ASSY, F.INJECT.		1			1			
1B	1	714870-51700	PUMP ASSY, F.INJECT			1				1	
3	2	105546-51020	GASKET		1	1		1	1		
4	2	114250-51080	PLATE		1	1		1	1		
5	2	114350-51200	BODY, F.I. PUMP		1	1		1	1		
8	2	114250-51150	RING, SNAP		1	1		1	1		
9	2	114250-51160	SPRING		1	1		1	1		
10	2	114250-51300	VALVE ASSY, DELIVERY		1	1		1	1		
11	2	105546-51330	SPRING, DELIV. VALVE		1	1		1	1		
12	2	114250-51340	HOLDER, F.I.P.DELIVE		1	1		1	1		
13	2	124550-51350	GASKET, DELIVERY		2	2		2	2		
14	2	114250-51600	LEVER ASSY, CONTROL		1	1		1	1		
15	2	114250-51640	SEAT (A), SPRING		1	1		1	1		
16	2	114250-51650	SEAT (B), SPRING		1	1		1	1		
17	2	22351-020006	SPRING PIN 2X 6		2	2		2	2		
18	2	22351-030008	SPRING PIN 3X 8		1	1		1	1		
19	1	714350-53100	VALVE ASSY, F.INJECT		1	1		1	1		
19-1	1	714870-53100	VALVE ASSY, F.INJECT		1	1		1	1		N
				(B=X)							
20	2	114350-53000	NOZZLE ASSY		1	1		1	1		
20-1	2	114870-53000	NOZZLE ASSY		1						N
				(B=X)							
21	2	114250-53080	NUT, NOZZLE CASE		1	1		1	1		
22	2	114250-53120	SPRING, NOZZLE		1	1		1	1		
23	2	114250-53130	SEAT, NOZZLE SPRING		1	1		1	1		
24	2	114250-53140	PLATE, STOP		1	1		1	1		
25	2	114250-53210	PIN		2	2		2	2		
26	2	114250-53300	HOLDER ASSY, NOZZLE		1	1		1	1		
28	3	114250-53331	PIN, SPRING		1	1		1	1		
29	2	114250-53400	SHIM PACK		1	1		1	1		

Fig.23. FUEL INJECTION PUMP & VALVE

(A)=  
(B)=L60AE-D(E)TM  
(C)=L70AE-D(E)TM

(D)=  
(E)=L60AE-S(E)TM  
(F)=L70AE-S(E)TM

Fig. 23 FUEL INJECTION PUMP & VALVE

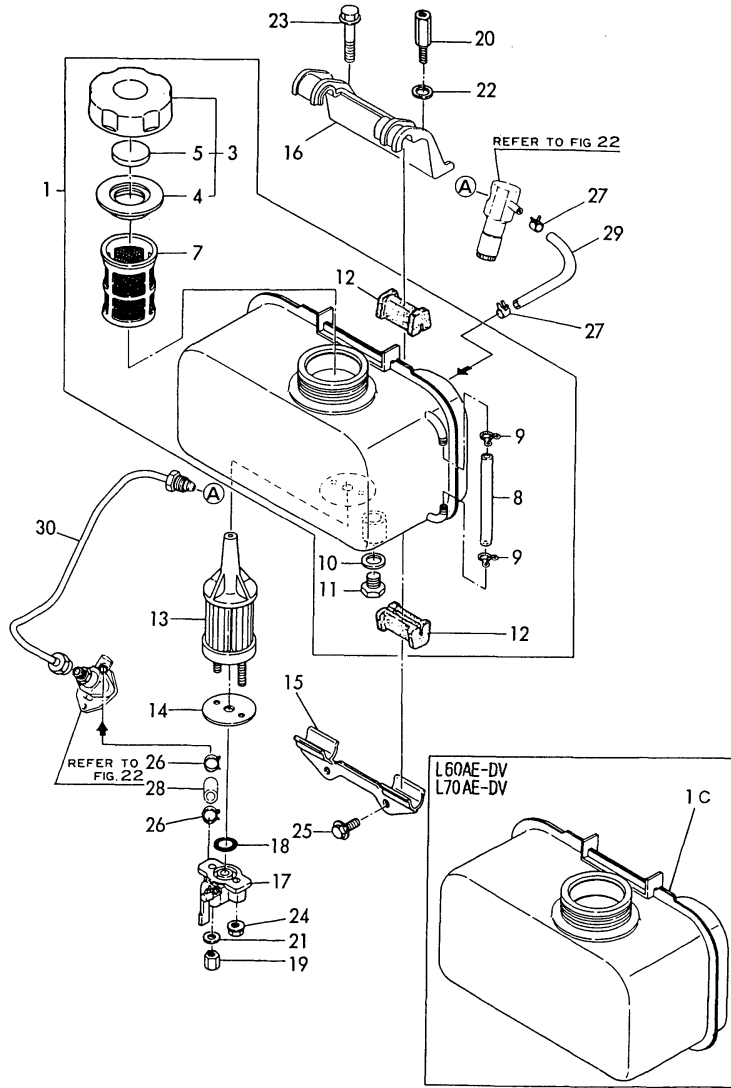


No.	Lev.	Parts No.	Description	Q'ty						I	R
				(A)	(B)	(C)	(D)	(E)	(F)		
1	1	783350-51740	PUMP ASSY. F.INJECT.	1				1			
2	1	714870-51740	PUMP ASSY. F.INJECT.			1				1	
3	2	105546-51020	GASKET	1	1			1	1		
4	2	114250-51080	PLATE	1	1			1	1		
5	2	183350-51400	BODY, F. I. PUMP	1	1			1	1		
8	2	114250-51150	RING, SNAP	1	1			1	1		
9	2	114250-51160	SPRING	1	1			1	1		
10	2	114250-51300	VALVE ASSY, DELIVERY	1	1			1	1		
11	2	105546-51330	SPRING, DELIV. VALVE	1	1			1	1		
12	2	114250-51340	HOLDER, F.I.P.DELIVE	1	1			1	1		
13	2	124550-51350	GASKET, DELIVERY	2	2			2	2		
14	2	114250-51600	LEVER ASSY, CONTROL	1	1			1	1		
15	2	114250-51640	SEAT (A), SPRING	1	1			1	1		
16	2	114250-51650	SEAT (B), SPRING	1	1			1	1		
17	2	22351-020006	SPRING PIN 2X 6	2	2			2	2		
18	2	22351-030008	SPRING PIN 3X 8	1	1			1	1		
19	1	714350-53100	VALVE ASSY, F.INJECT	1	1			1	1		
19-1	1	714870-53100	VALVE ASSY, F.INJECT	1	1			1	1		R
(B=X)											
20	2	114350-53000	NOZZLE ASSY	1	1			1	1		
20-1	2	114870-53000	NOZZLE ASSY	1							R
(B=X)											
21	2	114250-53080	NUT, NOZZLE CASE	1	1			1	1		
22	2	114250-53120	SPRING, NOZZLE	1	1			1	1		
23	2	114250-53130	SEAT, NOZZLE SPRING	1	1			1	1		
24	2	114250-53140	PLATE, STOP	1	1			1	1		
25	2	114250-53210	PIN	2	2			2	2		
26	2	114250-53300	HOLDER ASSY, NOZZLE	1	1			1	1		
28	3	114250-53331	PIN, SPRING	1	1			1	1		
29	2	114250-53400	SHIM PACK	1	1			1	1		

Fig.24. FUEL TANK & FUEL PIPE

(A)= (D)=  
 (B)=L60AE-D/DE (E)=L60AE-S/SE  
 (C)=L70AE-D/DE (F)=L70AE-S/SE

Fig. 24 FUEL TANK & FUEL LINE



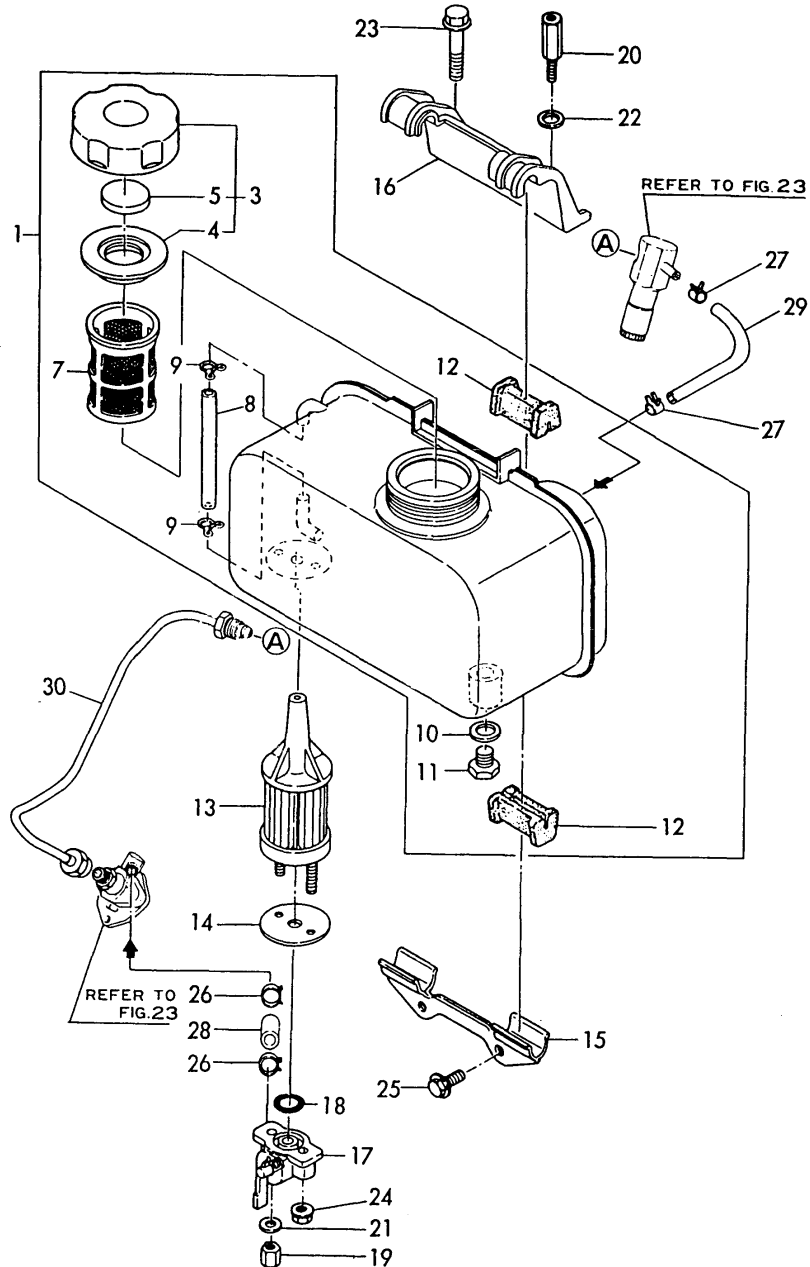
No.	Lev.	Parts No.	Description	Q'ty						I	R
				(A)	(B)	(C)	(D)	(E)	(F)		
1A	1	714350-55711	TANK,FUEL (RED)(50)	1	1		1	1			
1B	1	714368-55721	TANK ASSY.FUEL(DGMO)	1	1					%	
1C	1	714368-55750	TANK ASSY, FUEL(DV)	1	1					H	
1D	1	714358-55701	TANK ASSY.FUEL(DF/SF)	1	1		1	1		U	
3	2	114250-55041	CAP, TANK	1	1		1	1			
4	3	114250-55050	GASKET, TANK CAP	1	1		1	1			
5	3	114250-55060	SEAL	1	1		1	1			
7	2	114250-55100	FILTER, FUEL	1	1		1	1			
8	2	114350-55150	PIPE, GAUGE	1	1		1	1			
9	2	124722-59050	CLAMP 9	2	2		2	2			
10	2	23414-120000	GASKET 12, ROUND	1	1		1	1			
11	2	23887-120002	PLUG 12,HEX.	1	1		1	1			
12	2	114250-55201	DAMPER, FUEL TANK	4	4		4	4			
13	1	114350-55120	FILTER, FUEL OIL	1	1		1	1			
14	1	114250-55130	GASKET	1	1		1	1			
15	1	114250-55211	STAY (A)	1	1		1	1			
16	1	114350-55231	STAY (B)	1	1		1	1			
17	1	114250-55300	COCK ASSY, FUEL	1	1		1	1			
18	1	24341-000150	O-RING 1A S-15.0	1	1		1	1			
19	1	114252-55800	NUT	1	1		1	1			
20	1	114650-55810	BOLT, LIFTING	1	1		1	1			
21	1	22117-060000	WASHER 6	1	1		1	1			
22	1	22117-080000	WASHER 8	1	1		1	1			
23	1	26106-080452	BOLT M 8X 45 PLATED	1	1		1	1			
24	1	26366-060002	NUT M 6	1	1		1	1			
25	1	26476-060142	BOLT M 6X 14, TAPPING	2	2		2	2			
26	1	106990-44660	CLIP,HOSE	2	2		2	2			
27	1	124722-59050	CLAMP 9	2	2		2	2			
28	1	114360-59060	PIPE, FUEL OIL	1	1		1	1			
29	1	114250-59060	PIPE, FUEL RETURN	1	1		1	1			
30	1	114350-59800	PIPE, FUEL INJECTION	1	1		1	1			

Remarks  
 (H) FOR L60AE/L70AE-D(E)V  
 (%) FOR L60AE-DGMO/DEGMO  
 (U) FOR L60AE/L70AE-D(E)F/S(E)F

Fig.25. FUEL TANK & FUEL PIPE

(A)= (D)=  
 (B)=L60AE-D(E)TM (E)=L60AE-S(E)TM  
 (C)=L70AE-D(E)TM (F)=L70AE-S(E)TM

Fig. **25** FUEL TANK & FUEL LINE

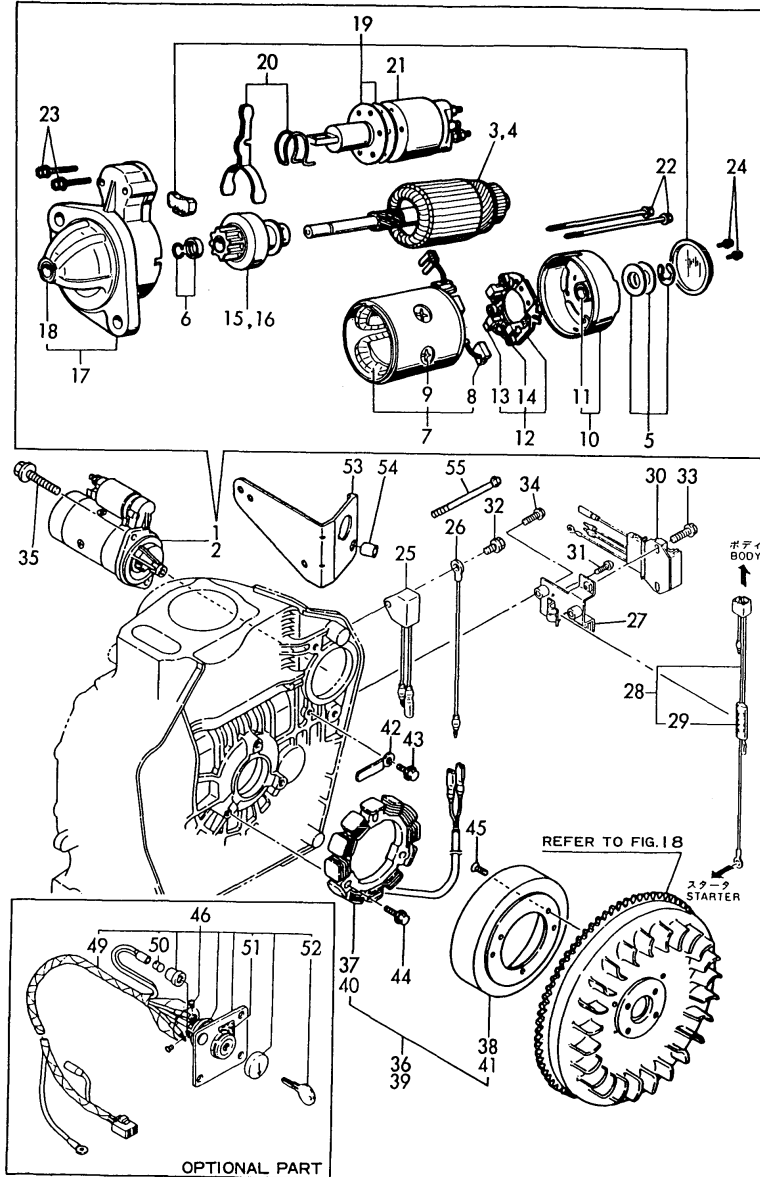


No.	Lev.	Parts No.	Description	Q'ty						I	R
				(A)	(B)	(C)	(D)	(E)	(F)		
1	1	714368-55701	TANK ASSY.(DTM/STM)	1	1		1	1			
3	2	114250-55041	CAP, TANK	1	1		1	1			
4	3	114250-55050	GASKET, TANK CAP	1	1		1	1			
5	3	114250-55060	SEAL	1	1		1	1			
7	2	114250-55100	FILTER, FUEL	1	1		1	1			
8	2	114350-55150	PIPE, GAUGE	1	1		1	1			
9	2	124722-59050	CLAMP 9	2	2		2	2			
10	2	23414-120000	GASKET 12, ROUND	1	1		1	1			
11	2	23887-120002	PLUG 12,HEX.	1	1		1	1			
12	2	114250-55201	DAMPER, FUEL TANK	4	4		4	4			
13	1	114350-55120	FILTER, FUEL OIL	1	1		1	1			
14	1	114250-55130	GASKET	1	1		1	1			
15	1	114250-55211	STAY (A)	1	1		1	1			
16	1	114350-55231	STAY (B)	1	1		1	1			
17	1	114250-55300	COCK ASSY, FUEL	1	1		1	1			
18	1	24341-000150	O-RING 1A S-15.0	1	1		1	1			
19	1	114252-55800	NUT	1	1		1	1			
20	1	114650-55810	BOLT, LIFTING	1	1		1	1			
21	1	22117-060000	WASHER 6	1	1		1	1			
22	1	22117-080000	WASHER 8	1	1		1	1			
23	1	26106-080452	BOLT M 8X 45 PLATED	1	1		1	1			
24	1	26366-060002	NUT M 6	1	1		1	1			
25	1	26476-060142	BOLT M 6X 14, TAPPING	2	2		2	2			
26	1	106990-44660	CLIP,HOSE	2	2		2	2			
27	1	124722-59050	CLAMP 9	2	2		2	2			
28	1	114360-59060	PIPE, FUEL OIL	1	1		1	1			
29	1	114250-59060	PIPE, FUEL RETURN	1	1		1	1			
30	1	114350-59800	PIPE, FUEL INJECTION	1	1		1	1			

Fig.26. STARTING MOTOR & DYNAMO

(A)= (D)=  
 (B)=L60AE-DE (E)=L60AE-SE  
 (C)=L70AE-DE (F)=L70AE-SE

Fig. 26 STARTING MOTOR & DYNAMO



No.	Lev.	Parts No.	Description	Q'ty						I	R
				(A)	(B)	(C)	(D)	(E)	(F)		
1	1	114362-77010	STARTER (S114-414A)	1	1						
2	1	114351-77010	STARTER (S114-413A)					1	1		
3	2	X211461104	ARMATURE	1	1						
4	2	X211461008	ARMATURE					1	1		
5	2	X21148110	WASHER SET, THRUST	1	1			1	1		
6	2	X21147155	STOPPER SET, PINION	1	1			1	1		
7	2	X211412105	COIL ASSY, FIELD	1	1			1	1		
8	3	X21145312	BRUSH (+)	2	2			2	2		
9	3	X21143215	SCREW, CORE	4	4			4	4		
10	2	X211473002	COVER, REAR	1	1			1	1		
11	3	X21145352	METAL	1	1			1	1		
12	2	X211489001	HOLDER ASSY, BRUSH	1	1			1	1		
13	3	X21148313	BRUSH (-)	1	1			1	1		
14	3	X21149314	SPRING, BRUSH	3	3			3	3		
15	2	X211445508	PINION ASSY	1	1						
16	2	X211445504	PINION ASSY					1	1		
17	2	X211416603	HOUSING ASSY, GEAR	1	1			1	1		
18	3	X21145352	METAL	1	1			1	1		
19	2	X211478006	COVER KIT, DUST	1	1			1	1		
20	2	X211456013	LEVER KIT, SHIFT	1	1			1	1		
21	2	X211427501	SWITCH, MAGNETIC	1	1			1	1		
22	2	X211468005	BOLT, THROUGH	2	2			2	2		
23	2	X21145867	BOLT 6	2	2			2	2		
24	2	X21142835	SCREW SET	1	1			1	1		
25	1	160970-77350	RECTIFIER	1	1			1	1		
26	1	183350-77400	WIRE, LEAD	1	1			1	1		
27	1	114253-77410	BRACKET					1	1		Y
27-1	1	114385-77400	BRACKET							1	R
28	1	114253-77491	HARNES, WIRE			(E=X)		1	1		Y
29	2	29411-150000	FUSE (15A),CARTRIDGE					2	2		Y
30	1	114253-77520	REGULATOR					1	1		Y
31	1	26023-040102	SCREW M 4X 10	2	2			2	2		
32	1	26106-060122	BOLT M 6X 12 PLATED	1	1			1	1		
33	1	26106-060202	BOLT M 6X 20 PLATED					2	2		Y
34	1	26106-060252	BOLT M 6X 25 PLATED					2	2		Y
34-1	1	26106-060122	BOLT M 6X 12 PLATED					2			N
35	1	26106-100302	BOLT M10X 30 PLATED			(E=X)		2	2		
36	1	114351-78250	DYNAMO ASSY	1	1			1	1		
37	2	114351-78750	STATOR ASSY	1	1			1	1		
38	2	114351-78760	WHEEL, DYNAMO	1	1			1	1		
39	1	114351-78260	DYNAMO ASSY (12V-3A)					1	1		Y
40	2	114351-78770	STATOR ASSY,(132.1MM)					1	1		Y
41	2	114351-78780	WHEEL (STATOR)132.1MM					1	1		Y
42	1	160710-78710	CLAMP, CORD	1	1			1	1		
43	1	26476-060142	BOLT M 6X 14, TAPPING	1	1			1	1		
44	1	26476-060202	BOLT M 6X 20, TAPPING	3	3			3	3		
45	1	26577-060142	SCREW M 6X 14	3	3			3	3		
46	1	114351-77500	PANEL ASSY,KEYSWITCH	1	1			1	1		H
49	2	114351-77700	HARNES, WIRE	1	1			1	1		H

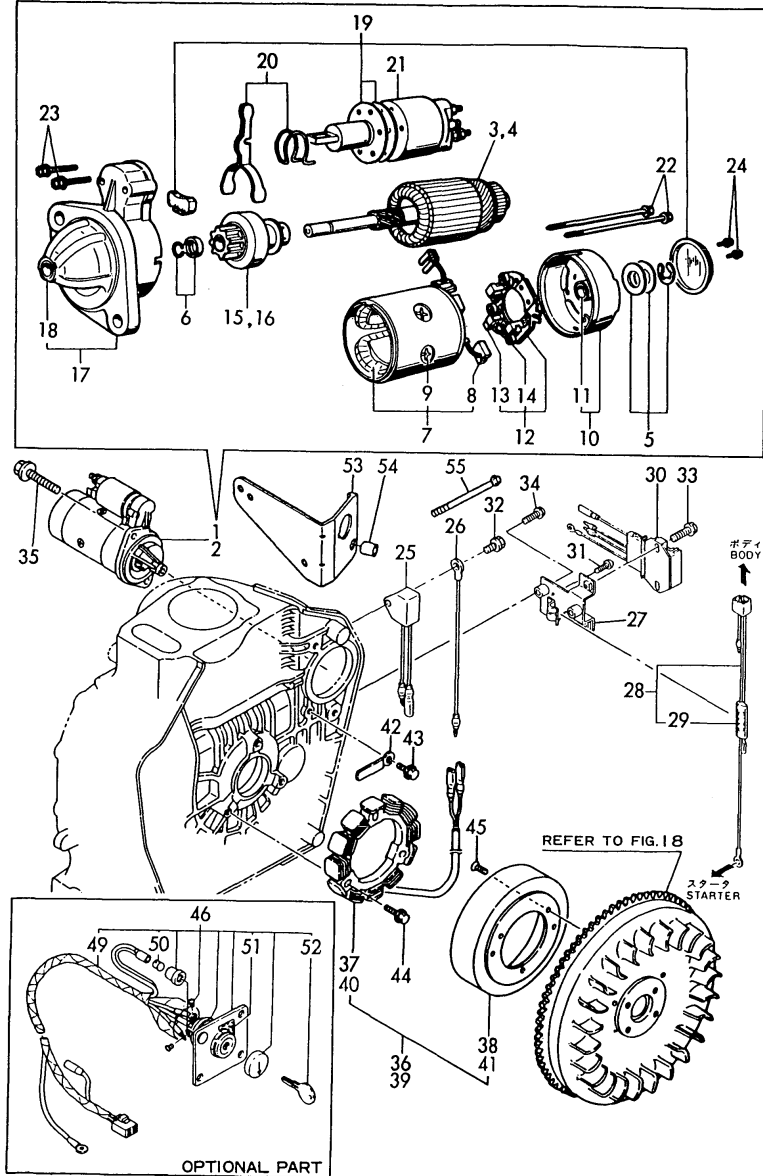
Remarks  
 (Y) FOR L60AE-SEF, L70AE-SEF.  
 (H) OPTIONAL PARTS.



Fig.26. STARTING MOTOR & DYNAMO

(A)= (D)=  
 (B)=L60AE-DE (E)=L60AE-SE  
 (C)=L70AE-DE (F)=L70AE-SE

Fig. 26 STARTING MOTOR & DYNAMO



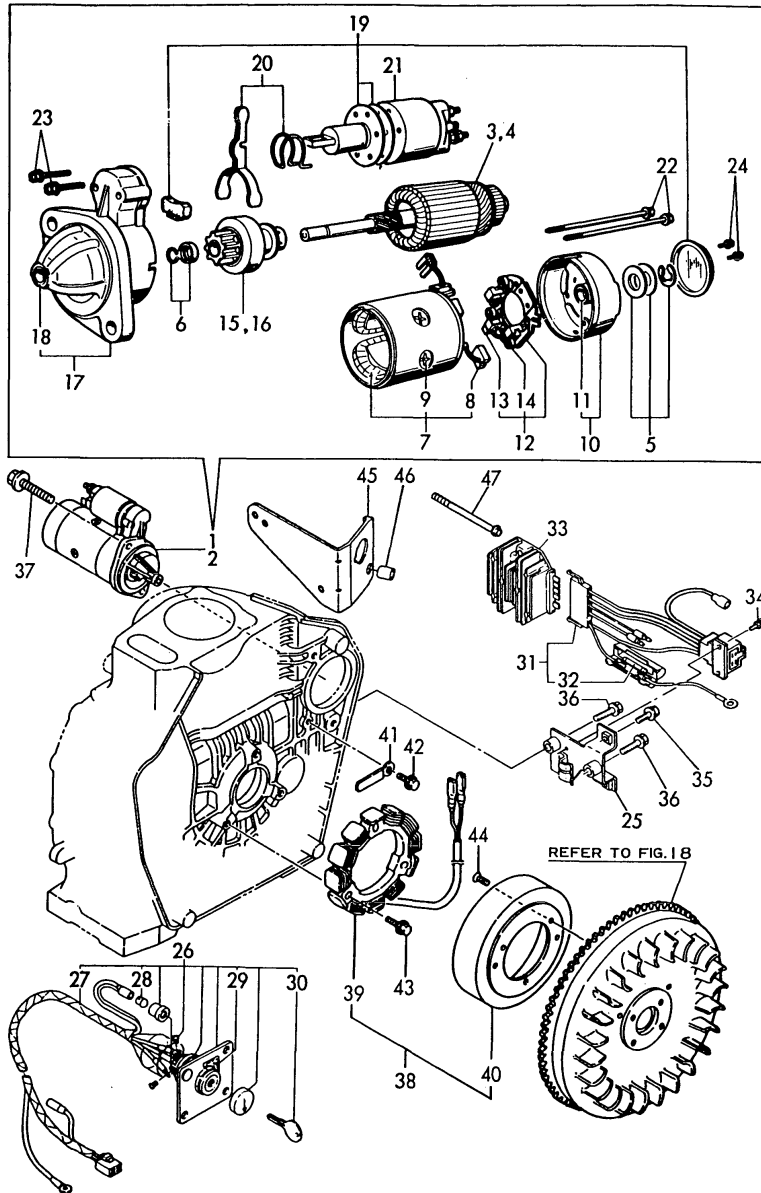
No.	Lev.	Parts No.	Description	Q'ty						I	R
				(A)	(B)	(C)	(D)	(E)	(F)		
50	3	29220-083200	BULB (12V/3.4W)	1	1		1	1		H	
51	2	105198-07120	LABEL, STARTER	1	1		1	1		H	
52	2	106100-77630	KEY, STARTER	1	1		1	1		H	
53	1	114351-77620	BRACKET, ST.SWITCH	1	1		1	1		H	
54	1	114351-77630	WASHER	2	2		2	2		H	
55	1	26106-060702	BOLT M 6X 70 PLATED	2	2		2	2		H	

Remarks  
 (Y) FOR L60AE-SEF, L70AE-SEF.  
 (H) OPTIONAL PARTS.

Fig.27. STARTING MOTOR & DYNAMO

(A)= (D)=  
 (B)=L60AE-DETM (E)=L60AE-SETM  
 (C)=L70AE-DETM (F)=L70AE-SETM

Fig. 27 STARTING MOTOR & DYNAMO



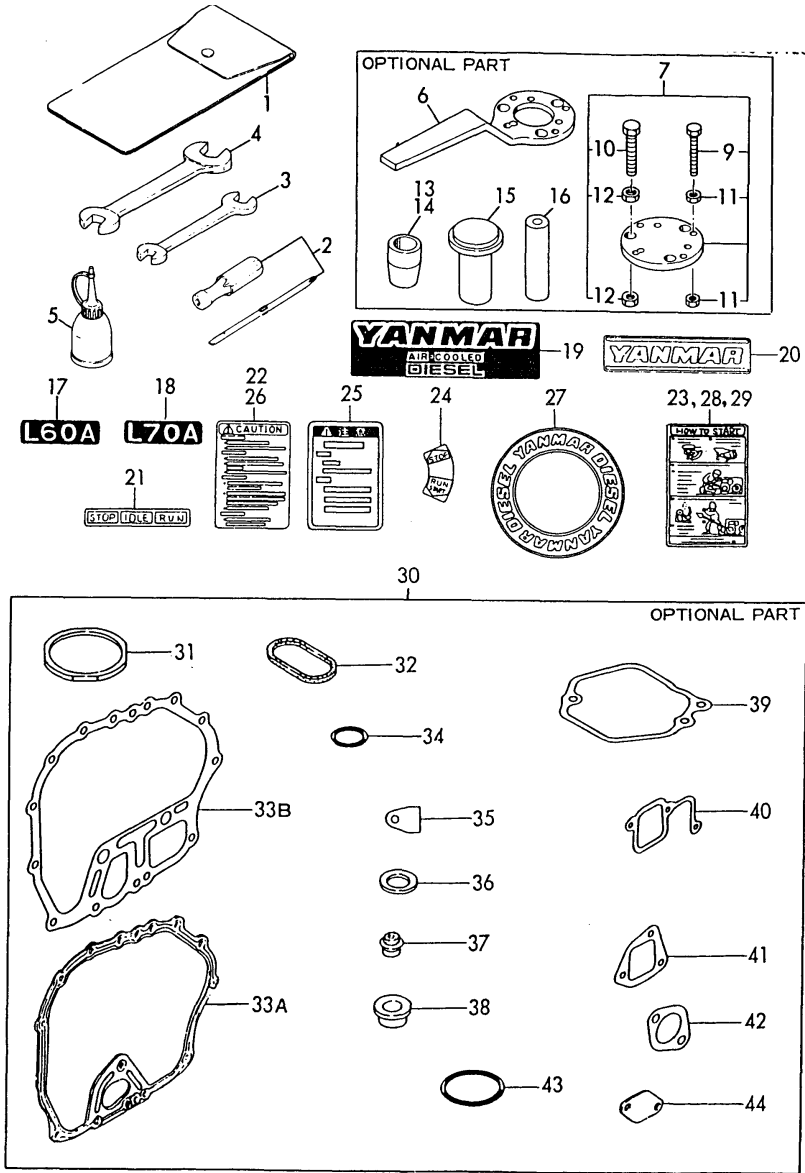
No.	Lev.	Parts No.	Description	Q'ty						I	R
				(A)	(B)	(C)	(D)	(E)	(F)		
1	1	114362-77010	STARTER (S114-414A)	1	1						
2	1	114351-77010	STARTER (S114-413A)					1	1		
3	2	X211461104	ARMATURE	1	1						
4	2	X211461008	ARMATURE					1	1		
5	2	X21148110	WASHER SET, THRUST	1	1			1	1		
6	2	X21147155	STOPPER SET, PINION	1	1			1	1		
7	2	X211412105	COIL ASSY, FIELD	1	1			1	1		
8	3	X21145312	BRUSH (+)	2	2			2	2		
9	3	X21143215	SCREW, CORE	4	4			4	4		
10	2	X211473002	COVER, REAR	1	1			1	1		
11	3	X21145352	METAL	1	1			1	1		
12	2	X211489001	HOLDER ASSY, BRUSH	1	1			1	1		
13	3	X21148313	BRUSH (-)	1	1			1	1		
14	3	X21149314	SPRING, BRUSH	3	3			3	3		
15	2	X211445508	PINION ASSY	1	1						
16	2	X211445504	PINION ASSY							1	1
17	2	X211416603	HOUSING ASSY, GEAR	1	1			1	1		
18	3	X21145352	METAL	1	1			1	1		
19	2	X211478006	COVER KIT, DUST	1	1			1	1		
20	2	X211456013	LEVER KIT, SHIFT	1	1			1	1		
21	2	X211427501	SWITCH, MAGNETIC	1	1			1	1		
22	2	X211468005	BOLT, THROUGH	2	2			2	2		
23	2	X21145867	BOLT 6	2	2			2	2		
24	2	X21142835	SCREW SET	1	1			1	1		
25	1	114253-77410	BRACKET	1	1			1	1		
25-1	1	114385-77400	BRACKET							1	R
				(E=X)							
26	1	114351-77500	PANEL ASSY,KEYSWITCH	1	1			1	1		
27	2	114351-77700	HARNES, WIRE	1	1			1	1		
28	3	29220-083200	BULB (12V/3.4W)	1	1			1	1		
29	2	105198-07120	LABEL, STARTER	1	1			1	1		
30	2	106100-77630	KEY, STARTER	1	1			1	1		
31	1	114351-77540	HARNES, WIRE	1	1			1	1		
32	2	29411-150000	FUSE (15A),CARTRIDGE	2	2			2	2		
33	1	119660-77710	CURRENT LIMITER(15A)	1	1			1	1		
34	1	26023-040102	SCREW M 4X 10	2	2			2	2		
35	1	26106-060202	BOLT M 6X 20 PLATED	2	2			2	2		
36	1	26106-060252	BOLT M 6X 25 PLATED	2	2			2	2		
36-1	1	26106-060122	BOLT M 6X 12 PLATED							2	N
				(E=X)							
37	1	26106-100302	BOLT M10X 30 PLATED	2	2			2	2		
38	1	114351-78260	DYNAMO ASSY (12V-3A)	1	1			1	1		
39	2	114351-78770	STATOR ASSY,(132.1MM)	1	1			1	1		
40	2	114351-78780	WHEEL (STATOR)132.1MM	1	1			1	1		
41	1	160710-78710	CLAMP, CORD	1	1			1	1		
42	1	26476-060142	BOLT M 6X 14, TAPPING	1	1			1	1		
43	1	26476-060202	BOLT M 6X 20, TAPPING	3	3			3	3		
44	1	26577-060142	SCREW M 6X 14	3	3			3	3		
45	1	114351-77620	BRACKET, ST.SWITCH	1						1	H
46	1	114351-77630	WASHER	2						2	H
47	1	26106-060702	BOLT M 6X 70 PLATED	2						2	H

Remarks  
 (H) OPTIONAL PARTS

Fig.28. TOOLS / LABELS & GASKET SET

(A)= (D)=  
 (B)=L60AE-D/DE (E)=L60AE-S/SE  
 (C)=L70AE-D/DE (F)=L70AE-S/SE

Fig.28 TOOL, LABEL & GASKET SET



No.	Lev.	Parts No.	Description	Q'ty						I	R
				(A)	(B)	(C)	(D)	(E)	(F)		
1	1	114250-92600	BAG, TOOL	1	1		1	1			
2	1	160330-92730	SCREWDRIVER	1	1		1	1			
3	1	28110-100120	WRENCH 10X12	1	1		1	1			
4	1	28110-140170	WRENCH 14X17	1	1		1	1			
5	1	28210-000150	FEEDER, OIL	1	1		1	1			
6	1	114250-92101	F.W. LOCKING HANDLE	1	1		1	1		Y	
7	1	114250-92130	REMOVER, FLYWHEEL	1	1		1	1		Y	
9	2	26116-060454	BOLT M 6X 45 PLATED	4	4		4	4		Y	
10	2	26116-080454	BOLT M 8X 45 PLATED	3	3		3	3		Y	
11	2	26716-060002	NUT 6	8	8		8	8		Y	
12	2	26716-080002	NUT M 8	6	6		6	6		Y	
13	1	114368-92300	GUIDE, OIL SEAL	1	1					Y	
14	1	114350-92301	GUIDE, OIL SEAL				1	1		Y	
15	1	114350-92311	INSTALLING TOOL	1	1		1	1		Y	
16	1	114350-92350	INSTALLING TOOL	1	1		1	1		Y	
17A	1	114370-07050	LABEL, (L60A)	1				1			
17B	1	114870-07050	LABEL, (L70A)		1				1		
19	1	114250-07090	LABEL, AIR COOLED	1	1		1	1			
20	1	114250-07110	LABEL, YANMAR	1	1		1	1			
21	1	183250-07230	LABEL, OPERATION	1	1		1	1			
22	1	114268-07240	LABEL, CAUTION	1	1		1	1			
23	1	114250-07250	LABEL, HOW TO START	1	1		1	1			
24	1	114250-07260	LABEL, OPERATION	1	1		1	1			
25	1	114268-07260	LABEL, CAUTION	1	1		1	1			
26	1	114268-07280	LABEL, PRECAUTION	1	1						
27	1	114250-07350	LABEL, YANMAR DIESEL	1	1			1	1		
28	1	114268-07350	LABEL, HOW TO START	1	1		1	1			
29	1	114268-07360	LABEL, HOW TO START(F	1	1						
30A	1	714370-92600	GASKET SET	1				1			
30B	1	714870-92600	GASKET SET		1				1		
31A	2	114350-01340	GASKET, CYL. HEAD	1				1			
31B	2	114870-01340	GASKET, CYL. HEAD		1				1		
32	2	114350-01380	O-RING	1	1		1	1			
33A	2	114350-01411	GASKET, CRANK CASE	1	1		1	1			
33B	2	114350-01412	GASKET, CRANK CASE	1	1		1	1			
34	2	24311-000180	O-RING 1A P-18.0	2	2		2	2			
35	2	114250-01840	GASKET	1	1		1	1			
36	2	43400-500490	SEAL WASHER 16	2	2		2	2			
37	2	114350-11340	SEAL, VALVE STEM	2	2		2	2			
38	2	114250-11460	GASKET, NOZZLE	1	1		1	1			
39	2	114250-11310	GASKET, BONNET	1	1		1	1			
41A	2	114350-12200	GASKET, AIR INTAKE	1	1		1	1			
41B	2	114350-12201	GASKET, AIR INTAKE	1	1		1	1			
42A	2	114250-12210	GASKET, AIR CLEANER	1	1		1	1			
42C	2	114352-12210	GASKET, AIR CLEANER	1	1		1	1			
43	2	114250-13200	GASKET, MUFFLER	1	1		1	1			
44	2	103338-32570	O-RING	1	1		1	1			
45	2	114250-35270	GASKET, L.O. STRAINER	1	1		1	1			

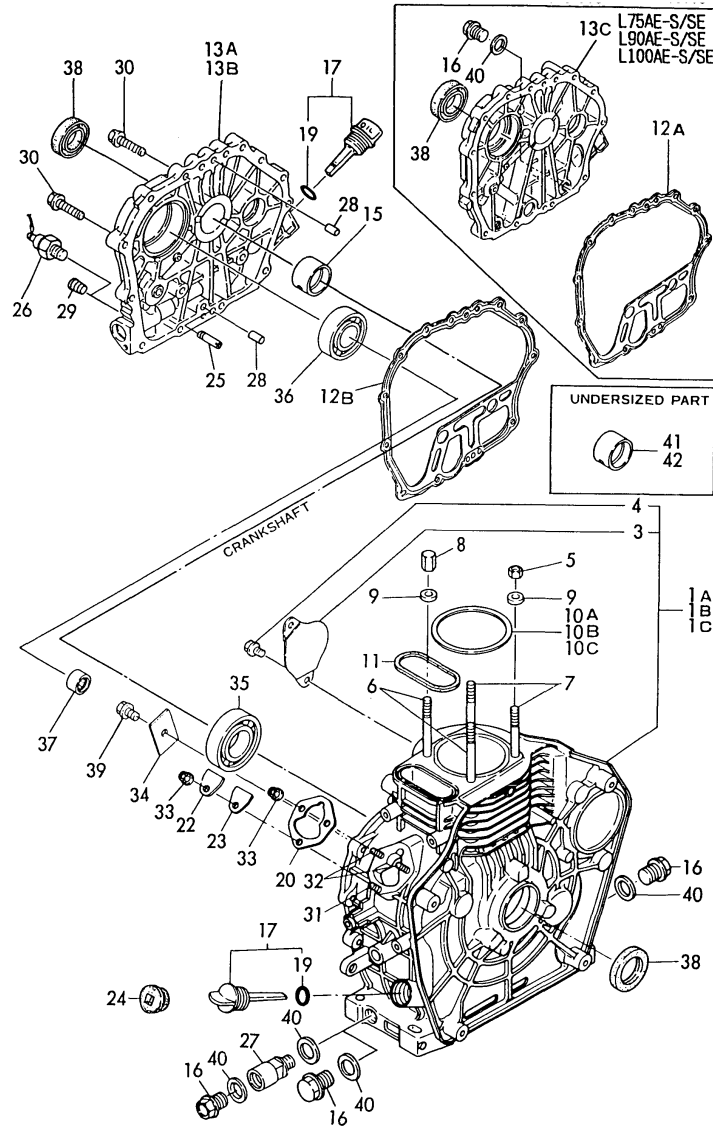
Remarks  
 (Y) OPTIONAL PARTS

Fig.29. CYLINDER BLOCK

(A)=L75AE-D/DE  
(B)=L90AE-D/DE  
(C)=L100AE-D/DE

(D)=L75AE-S/SE  
(E)=L90AE-S/SE  
(F)=L100AE-S/SE

Fig.29 CYLINDER BLOCK



No.	Lev.	Parts No.	Description	Q'ty						I	R
				(A)	(B)	(C)	(D)	(E)	(F)		
1A	1	714571-01560	BLOCK ASSY, CYLINDER	1			1				
1B	1	714671-01560	BLOCK ASSY, CYLINDER		1			1			
1C	1	714970-01560	BLOCK ASSY, CYLINDER			1				1	
3	2	114350-01700	COVER, STARTER	1	1	1	1	1	1	1	
4	2	26106-100122	BOLT M10X 12 PLATED	2	2	2	2	2	2	2	
5	1	105025-01220	NUT 10	2	2	2	2	2	2	2	
6	1	114650-01230	STUD, CYL. HEAD	2	2	2	2	2	2	2	
7	1	114650-01240	STUD, CYL. HEAD	2	2	2	2	2	2	2	
8	1	114650-01250	NUT 10	2	2	2	2	2	2	2	
9	1	114650-01260	WASHER	4	4	4	4	4	4	4	
10A	1	114650-01340	GASKET, CYL. HEAD	1			1				
10B	1	114650-01340	GASKET, CYL. HEAD		1			1			
10C	1	114970-01340	GASKET, CYL. HEAD			1				1	
11	1	114650-01380	O-RING	1	1	1	1	1	1	1	
12A	1	114650-01411	GASKET, CRANK CASE				1	1	1		
12B	1	114650-01412	GASKET, CRANK CASE	1	1	1					
13A	1	114660-01470	COVER (D), CRANK CASE	1	1	1					
13B	1	114554-01451	COVER(DP), CRANKCASE	1	1	1					%
13C	1	114650-01452	COVER (S), CRANK CASE				1	1	1		
15	2	114650-02100	BEARING, MAIN	1	1	1	1	1	1	1	
16	1	105425-01690	PLUG M16	2	2	2	2	2	2	2	
17	1	160910-01740	CAP, W/LUB.OIL GAUGE	2	2	2	2	2	2	2	
19	2	24311-000180	O-RING 1A P-18.0	2	2	2	2	2	2	2	
20	1	114250-01800	SHIM SET	1	1	1	1	1	1	1	
22	1	114250-01830	COVER, INSPEC.WINDOW	1	1	1	1	1	1	1	
23	1	114250-01840	GASKET	1	1	1	1	1	1	1	
24	1	160110-01870	PLUG, RUBBER W/SCREW	1	1	1	1	1	1	1	
25	1	114250-35150	PIPE, L.O. INLET	1	1	1					
26	1	183250-39450	SENDER, OIL PRESSURE	1	1						Y
27	1	183279-08350	NIPPLE, DRAIN		1						H
28	1	22312-080120	PARALLEL PIN 8X12	2	2	2	2	2	2	2	
29	1	23871-010000	PLUG PT1/8, SCREW	1	1	1	1	1	1	1	
30	1	26106-080352	BOLT M 8X 35 PLATED	16	16	16	16	16	16	16	
31	1	26226-060182	STUD M 6X 18 PLATED	1	1	1	1	1	1	1	
32	1	26226-060222	STUD M 6X 22 PLATED	2	2	2	2	2	2	2	
33	1	26366-060002	NUT M 6	3	3	3	3	3	3	3	
34	1	114250-02030	RETAINER, BEARING	1	1	1	1	1	1	1	
35	1	114650-02150	BALL BEARING	1	1	1	1	1	1	1	
36	1	24101-062070	BALL BEARING	1	1	1	1	1	1	1	
37	1	24162-152112	NEEDLE BEARING	1	1	1	1	1	1	1	
38	1	24423-355008	SEAL, OIL	2	2	2	2	2	2	2	
39	1	26106-080122	BOLT M 8X 12 PLATED	1	1	1	1	1	1	1	
40	1	43400-500490	SEAL WASHER 16	2	2	2	2	2	2	2	
41	1	114650-02200	MAIN BEARING US=0.25	1	1	1	1	1	1	1	#
42	1	114650-02210	MAIN BEARING US=0.50	1	1	1	1	1	1	1	#

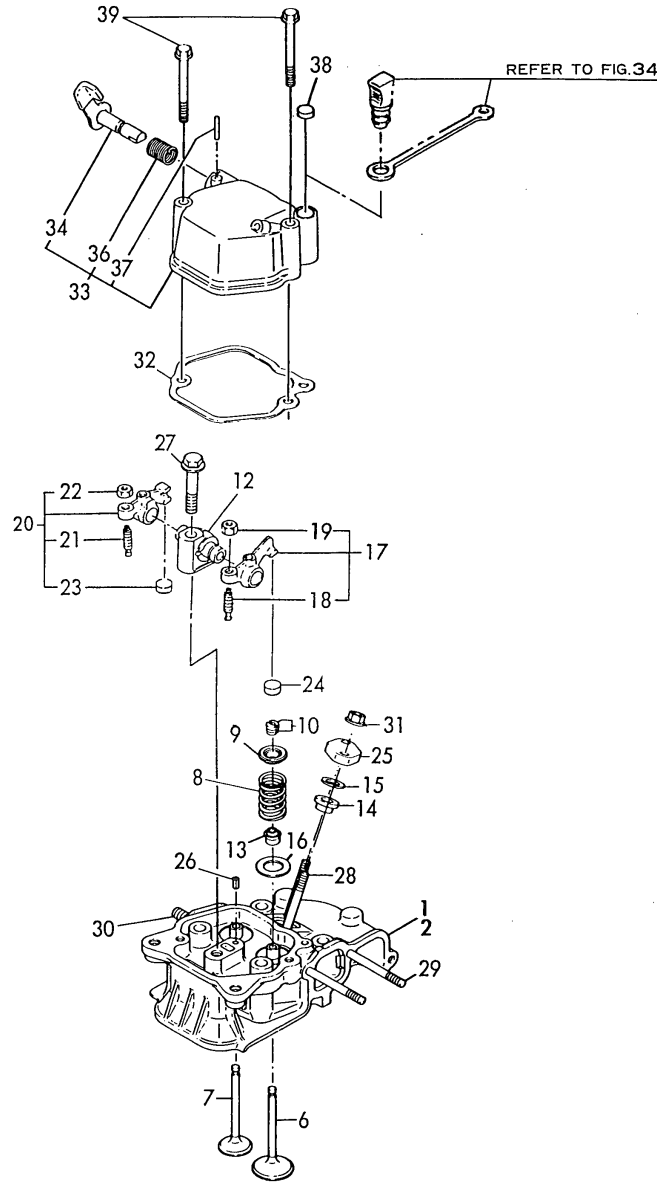
Remarks  
(Y) FOR L75AE/90AE-DGMO/DEGMO  
(H) FOR L90AE-DEPAC  
(#) UNDERSIZED PARTS  
(%) FOR L75AE/90AE/100AE-D(E)P

Fig.30. CYLINDER HEAD & BONNET

(A)=L75AE-D/DE  
(B)=L90AE-D/DE  
(C)=L100AE-D/DE

(D)=L75AE-S/SE  
(E)=L90AE-S/SE  
(F)=L100AE-S/SE

Fig. **30** CYLINDER HEAD & BONNET



No.	Lev.	Parts No.	Description	Q'ty						I	R
				(A)	(B)	(C)	(D)	(E)	(F)		
1	1	114550-11010	HEAD ASSY, CYLINDER	1			1				
2	1	114650-11010	HEAD ASSY, CYLINDER		1				1	1	
6	1	114650-11100	VALVE, SUCTION	1	1	1	1	1	1	1	
7	1	114654-11110	VALVE, EXHAUST	1	1	1	1	1	1	1	
8	1	114650-11121	SPRING, VALVE	2	2	2	2	2	2	2	
9	1	119620-11180	RETAINER, SPRING	2	2	2	2	2	2	2	
10	1	27310-070001	COTTER ASSY	2	2	2	2	2	2	2	
12	1	114650-11261	SUPPORT, ROCKER ARM	1	1	1	1	1	1	1	
13	1	114650-11340	SEAL, VALVE STEM	2	2	2	2	2	2	2	
14	1	114250-11460	GASKET, NOZZLE	1	1	1	1	1	1	1	
15	1	114350-11470	SPACER, NOZZLE	1	1	1	1	1	1	1	
16	1	114650-11600	WASHER	2	2	2	2	2	2	2	
17	1	114650-11652	ARM ASSY, INTAKE	1	1	1	1	1	1	1	
18	2	114250-11240	SCREW, VALVE ADJUST.	1	1	1	1	1	1	1	
19	2	26756-060002	LOCK NUT 6	1	1	1	1	1	1	1	
20	1	714670-11660	ARM ASSY, EXHAUST	1	1	1	1	1	1	1	
21	3	114250-11240	SCREW, VALVE ADJUST.	1	1	1	1	1	1	1	
22	3	26756-060002	LOCK NUT 6	1	1	1	1	1	1	1	
23	2	104211-11370	CAP, VALVE	1	1	1	1	1	1	1	
24	1	104211-11370	CAP, VALVE	1	1	1	1	1	1	1	
25	1	114250-11900	RETAINER, NOZZLE	1	1	1	1	1	1	1	
26	1	22351-040008	SPRING PIN 4X 8	1	1	1	1	1	1	1	
27	1	26106-100552	BOLT M10X 55 PLATED	1	1	1	1	1	1	1	
28	1	26226-060502	STUD M 6X 50	2	2	2	2	2	2	2	
29	1	26226-060752	STUD M 6X 75	2	2	2	2	2	2	2	
30	1	26226-080202	STUD M 8X 20 PLATED	2	2	2	2	2	2	2	
31	1	26366-060002	NUT M 6	2	2	2	2	2	2	2	
32	1	114650-11310	GASKET, BONNET	1	1	1	1	1	1	1	
33	1	114650-11950	BONNET ASSY, HEAD	1	1	1	1	1	1	1	
33-1	1	114650-11951	BONNET ASSY, HEAD	1			1	1	1	1	N
(A=X)											
34	2	114250-03591	SHAFT ASSY, DECOMP.	1	1	1	1	1	1	1	
36	2	114250-03640	SPRING	1	1	1	1	1	1	1	
37	2	22312-030160	PARALLEL PIN 3X16	1	1	1	1	1	1	1	
38	1	129100-61850	PLUG 12,BORE	1	1	1					Y
39	1	26106-060702	BOLT M 6X 70 PLATED	2	2	2	2	2	2	2	

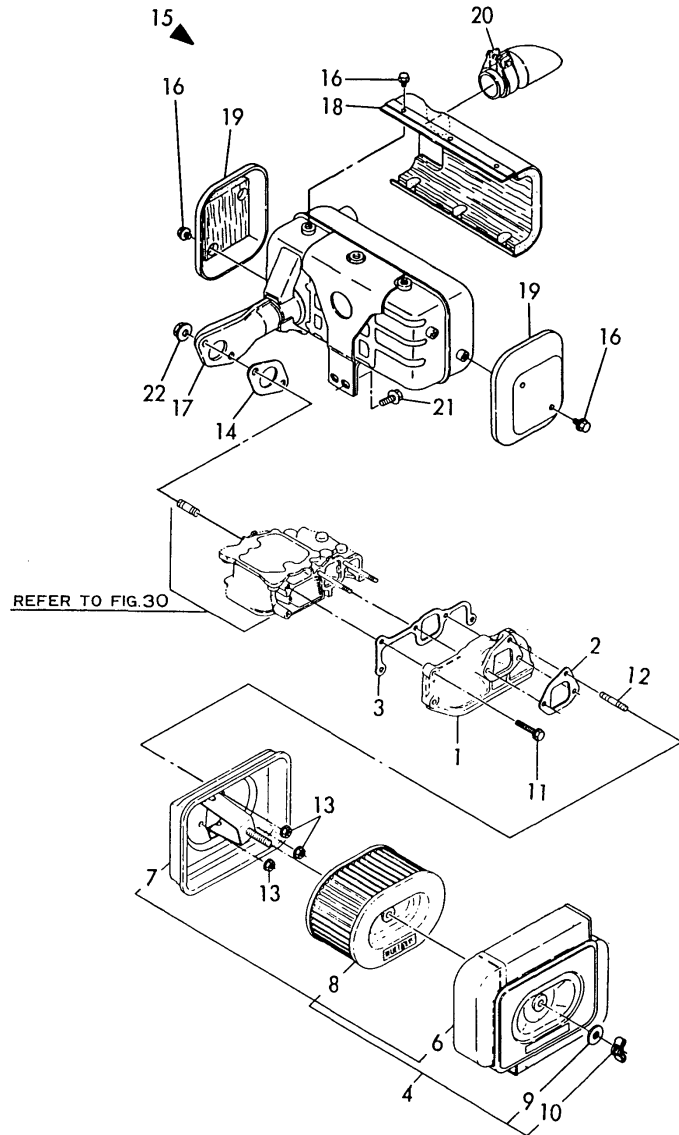
Remarks  
(Y) FOR L75AE/90AE/100AE-D(E)P

Fig.31. AIR CLEANER & MUFFLER

(A)=L75AE-D/DE  
(B)=L90AE-D/DE  
(C)=L100AE-D/DE

(D)=L75AE-S/SE  
(E)=L90AE-S/SE  
(F)=L100AE-S/SE

Fig. **31** AIR CLEANER & MUFFLER



No.	Lev.	Parts No.	Description	Q'ty						I	R
				(A)	(B)	(C)	(D)	(E)	(F)		
1	1	114650-12020	PIPE, AIR INTAKE	1	1	1	1	1	1		
2	1	114650-12210	GASKET, AIR CLEANER	1	1	1	1	1	1		
3	1	114650-12300	GASKET, AIR INTAKE	1	1	1	1	1	1		
4	1	714650-12560	CLEANER ASSY, AIR	1	1	1	1	1	1		
6	3	114650-12520	COVER, AIR CLEANER	1	1	1	1	1	1		
7	3	114650-12530	CASE, AIR CLEANER	1	1	1	1	1	1		
8	3	114650-12590	ELEMENT W/PRE-FILTER	1	1	1	1	1	1		
9	3	114252-12560	WASHER M 8, SEAL	1	1	1	1	1	1		
10	2	114252-12550	WING-NUT, M 8	1	1	1	1	1	1		
11	1	26106-060252	BOLT M 6X 25 PLATED	3	3	3	3	3	3		
12	1	26226-060142	STUD M 6X 14 PLATED	1	1	1	1	1	1		
13	1	26366-060002	NUT M 6	3	3	3	3	3	3		
14	1	114650-13200	GASKET, MUFFLER	1	1	1	1	1	1		
15	1	114970-13550	MUFFLER ASSY	1	1	1	1	1	1		
16	2	160260-01580	BOLT M 6X 6	10	10	10	10	10	10		
17	2	114970-13560	MUFFLER	1	1	1	1	1	1		
18	2	114970-13700	COVER(A), MUFFLER	1	1	1	1	1	1		
19	2	114970-13710	COVER, MUFFLER	2	2	2	2	2	2		
20	1	114658-13800	EXTENSION, EXH.	1	1	1	1	1	1		#
21	1	26106-080162	BOLT M 8X 16 PLATED	2	2	2	2	2	2		
22	1	26366-080002	NUT M 8	2	2	2	2	2	2		

Remarks  
(#) L75AE/90AE/100AE-D(E)TM/S(E)TM  
& L75AE/L90AE-D(E)GMO

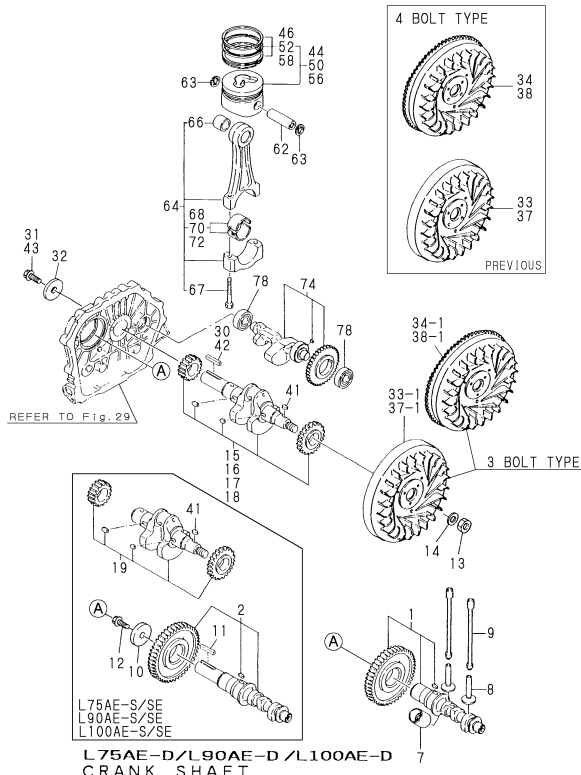
Fig.32. CAM/CRANK SHAFT & PISTON/ROD

(A)=L75AE-D/DE  
(B)=L90AE-D/DE  
(C)=L100AE-D/DE

(D)=L75AE-S/SE  
(E)=L90AE-S/SE  
(F)=L100AE-S/SE

P/C NEWS No:Y00R3981-2  
PUBLISHED:2002/11

Fig. 32 CRANKSHAFT, PISTON & CAMSHAFT



L75AE-D/L90AE-D/L100AE-D  
CRANK SHAFT

Ref. No.	MAGNIFIED AXIAL END	SCREW SIZE	KEY SIZE	Ref. No.	MAGNIFIED AXIAL END	SCREW SIZE
15		5/16-24UNF	6.3x50	17		5/16-24UNF
16		M8x1.25	7x14	18		1"-14UNF

Remarks

- (1)FOR L75AE/90AE/100AE-D/DE, L75AE/90AE/100AE-D(E)TM.
- (2)FOR L90AE-DEPAC.
- (3)FOR L75AE/90AE-D(E)GMO.
- (4)FOR L75AE/90AE/100AE-D(E)P.
- (5)INTERCHANGEABLE BY SIMULTANEOUS REPLACEMENT WITH FIG.34 NO.17-1.
- (6)INTERCHANGEABLE BY SIMULTANEOUS REPLACEMENT WITH FIG.34 NO.40-1 & 60-2.
- (7)OVER SIZED & UNDER SIZED PARTS.

No.	Lev.	Parts No.	Description	Q'ty						I	R
				(A)	(B)	(C)	(D)	(E)	(F)		
1	1	714689-14580	CAMSHAFT(D) ASSY	1	1	1					
2	1	714679-14580	CAMSHAFT(S) ASSY						1	1	1
7	1	114650-14200	TAPPET	2	2	2	2	2	2	2	
8	1	114250-14260	TAPPET, FUEL	1	1	1	1	1	1	1	
9	1	114650-14401	ROD, PUSH	2	2	2	2	2	2	2	
10	1	145610-83880	RETAINER				1	1	1		
11	1	22512-070360	KEY 7X 36						1	1	1
12	1	26106-100252	BOLT M10X 25 PLATED						1	1	1
13	1	122710-01220	NUT M18	1	1	1	1	1	1	1	
14	1	114650-21551	WASHER, FLYWHEEL	1	1	1	1	1	1	1	
15	1	714689-21700	CRANKSHAFT ASSY(D/DE	1	1	1					1
16	1	714689-21720	CRANKSHAFT ASY(EDPAC			1					2
17	1	714689-21730	CRANKSHAFT ASSY(DGMO	1	1						3
18	1	714689-21760	CRANKSHAFT ASSY(DP)	1	1	1					4
19	1	714679-21710	CRANKSHAFT ASSY(S/SE						1	1	1
30	1	160842-21150	KEY 6.3X50	1	1	1					
31	1	160842-21250	BOLT 7/16-20UNF	1	1	1					
32	1	160842-21260	WASHER	1	1	1					
33	1	114660-21401	FLYWHEEL(D)	1	1	1					
33-1	1	114660-21402	FLYWHEEL(D)	1	1	1					S 5
		(A=*1999.09)	(B=*1999.09)	(C=*1999.09)							
34	1	114662-21592	FLYWHEEL W/RING GEAR	1	1	1					
34-1	1	114662-21593	FLYWHEEL W/RING GEAR	1	1	1					S 5
		(A=*1999.09)	(B=*1999.09)	(C=*1999.09)							
37	1	114650-21401	FLYWHEEL(S)						1	1	1
37-1	1	114650-21402	FLYWHEEL(S)						1	1	1
				(D=*1999.09)	(E=*1999.09)	(F=*1999.09)					S 6
38	1	114651-21592	FLYWHEEL W/RING GEAR						1	1	1
38-1	1	114651-21593	FLYWHEEL W/RING GEAR						1	1	1
				(D=*1999.09)	(E=*1999.09)	(F=*1999.09)					S 6
41	1	22512-050140	KEY 5X 14	1	1	1	1	1	1	1	
42	1	22512-070140	KEY 7X 14		1						2
43	1	26106-080202	BOLT M 8X 20 PLATED		1						2
44	1	714560-22723	PISTON W/RINGS	1							7
44A	1	714660-22723	PISTON W/RINGS		1						7
44B	1	714980-22720	PISTON W/RINGS			1					7
44C	1	714550-22723	PISTON W/RINGS				1				7
44D	1	714650-22723	PISTON W/RINGS						1		7
44E	1	714970-22720	PISTON W/RINGS							1	7
46	2	714550-22502	RING SET, PISTON	1				1			7
46A	2	714650-22502	RING SET, PISTON		1				1		7
46B	2	714970-22500	RING SET, PISTON				1			1	7
50	1	714560-22624	PISTON W/RING OS=.25	1							7
50A	1	714660-22624	PISTON W/RING OS=.25		1						7
50B	1	714980-22620	PISTON W/RING OS=.25			1					7
50C	1	714550-22624	PISTON W/RING OS=.25				1				7
50D	1	714650-22624	PISTON W/RING OS=.25						1		7
50E	1	714970-22620	PISTON W/RING OS=.25							1	7
52	2	714550-22542	RING SET O.S=0.25	1				1			7
52A	2	714650-22542	RING SET O.S=0.25		1				1		7
52B	2	714970-22540	RING SET O.S=0.25				1			1	7

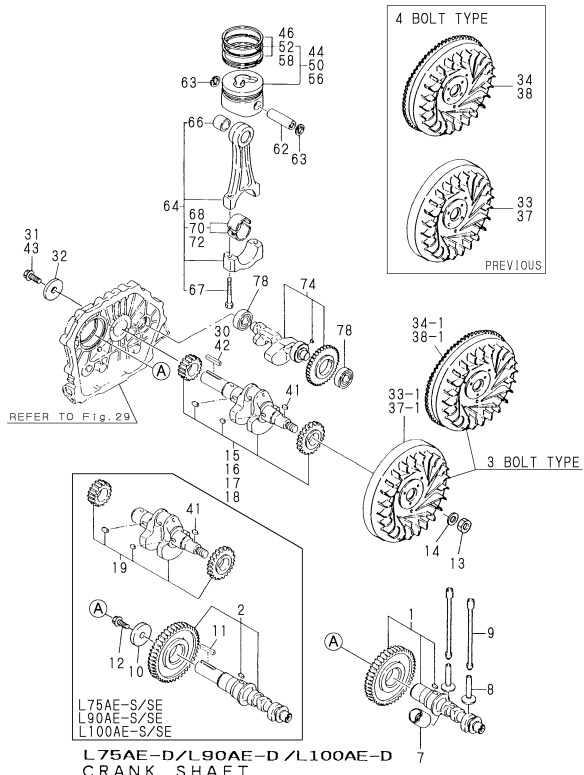
Fig.32. CAM/CRANK SHAFT & PISTON/ROD

(A)=L75AE-D/DE  
(B)=L90AE-D/DE  
(C)=L100AE-D/DE

(D)=L75AE-S/SE  
(E)=L90AE-S/SE  
(F)=L100AE-S/SE

P/C NEWS No: Y00R3981-2  
PUBLISHED: 2002/11

Fig. 32 CRANKSHAFT, PISTON & CAMSHAFT



L75AE-D/L90AE-D/L100AE-D  
CRANK SHAFT

Ref. No.	MAGNIFIED AXIAL END	SCREW SIZE	KEY SIZE	Ref. No.	MAGNIFIED AXIAL END	SCREW SIZE
15		5/16-24UNF	6.3x50	17		5/16-24UNF
16		M8x1.25	7x14	18		1"-14UNF

No.	Lev.	Parts No.	Description	Q'ty						I	R
				(A)	(B)	(C)	(D)	(E)	(F)		
56	1	714560-22580	PISTON W/RING OS=0.5	1							7
56A	1	714660-22580	PISTON W/RING OS=0.5		1						7
56B	1	714980-22580	PISTON W/RING OS=0.5			1					7
56C	1	714550-22580	PISTON W/RING OS=0.5				1				7
56D	1	714650-22580	PISTON W/RING OS=0.5					1			7
56E	1	714970-22580	PISTON W/RING OS=0.5						1		7
58	2	714550-22550	RING SET O.S=0.50	1			1				7
58A	2	714650-22550	RING SET O.S=0.50		1			1			7
58B	2	714970-22550	RING SET O.S=0.50			1			1		7
62	1	114650-22300	PIN, PISTON	1	1	1	1	1	1	1	
63	1	129792-22400	CIRCLIP 23	2	2	2	2	2	2	2	
64	1	714650-23700	ROD ASSY, CONNECTING	1	1	1	1	1	1	1	
66	2	124060-23100	BUSH, PISTON PIN	1	1	1	1	1	1	1	
67	2	104200-23201	BOLT, ROD	2	2	2	2	2	2	2	
68	2	714650-23600	BEARING, CRANKPIN	1	1	1	1	1	1	1	
70	1	714650-23610	BEARING,PIN(U.S=0.25	1	1	1	1	1	1	1	7
72	1	714650-23620	BEARING,PIN(U.S=0.50	1	1	1	1	1	1	1	7
74	1	714689-28510	SHAFT ASSY, BALANCER	1	1	1	1	1	1	1	
78	1	24101-062034	BALL BEARING	2	2	2	2	2	2	2	

Remarks

- (1)FOR L75AE/90AE/100AE-D/DE, L75AE/90AE/100AE-D(E)TM.
- (2)FOR L90AE-DEPAC.
- (3)FOR L75AE/90AE-D(E)GMO.
- (4)FOR L75AE/90AE/100AE-D(E)P.
- (5)INTERCHANGEABLE BY SIMULTANEOUS REPLACEMENT WITH FIG.34 NO.17-1.
- (6)INTERCHANGEABLE BY SIMULTANEOUS REPLACEMENT WITH FIG.34 NO.40-1 & 60-2.
- (7)OVER SIZED & UNDER SIZED PARTS.

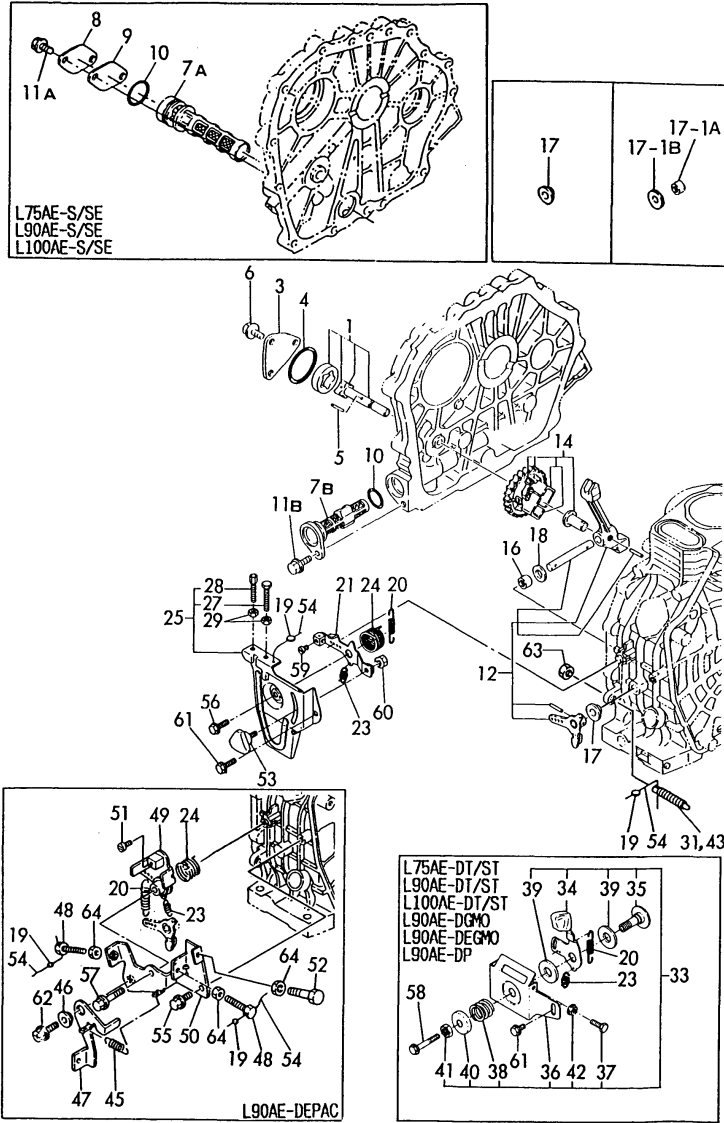


Fig.33. L.O. DEVICE & GOVERNOR CONTROL

(A)=L75AE-D/DE  
(B)=L90AE-D/DE  
(C)=L100AE-D/DE

(D)=L75AE-S/SE  
(E)=L90AE-S/SE  
(F)=L100AE-S/SE

Fig. **33** LUB. OIL PUMP & GOVERNOR



No.	Lev.	Parts No.	Description	Q'ty						I	R
				(A)	(B)	(C)	(D)	(E)	(F)		
1	1	114650-32010	PUMP ASSY, LUB.OIL	1	1	1	1	1	1		
3	1	114250-32070	COVER, LUB. OIL PUMP	1	1	1	1	1	1		
4	1	103338-32570	O-RING	1	1	1	1	1	1		
5	1	22312-030160	PARALLEL PIN 3X16	1	1	1	1	1	1		
6	1	26476-060142	BOLT M 6X 14, TAPPING	3	3	3	3	3	3		
7A	1	114250-35060	STRAINER, LUB. OIL				1	1	1		
7B	1	114250-35070	STRAINER, LUB. OIL	1	1	1					
8	1	114250-35250	COVER				1	1	1		
9	1	114250-35270	GASKET, L.O.STRAINER				1	1	1		
10	1	24341-000224	O-RING 1A S-22.4	1	1	1	1	1	1		
11A	1	26106-060122	BOLT M 6X 12 PLATED					2	2	2	
11B	1	26106-060162	BOLT M 6X 16 PLATED	1	1	1					
12	1	714650-61500	LEVER ASSY, GOVERNOR	1	1	1	1	1	1		
14	1	714970-61700	GOVERNOR ASSY	1	1	1	1	1	1		
16	1	121450-61520	NEEDLE BEARING FJ810	2	2	2	2	2	2		
17	1	114250-61900	BUSH, THRUST	1	1	1	1	1	1		
17-1A	1	114770-61600	SEAL, OIL	1							F
		(A=X)									
17-1B	1	114770-61610	WASHER, THRUST	1							F
		(A=X)									
18	1	22137-080000	WASHER 8, POLISHED	1	1	1	1	1	1		
19	1	135210-61090	LEAD	2	2	2	2	2	2		
20	1	114970-66010	SPRING, REGULATOR	1	1	1	1	1	1		
21	1	114250-66050	HANDLE, REGULATOR	1	1	1	1	1	1		
23	1	114250-66200	SPRING, RETURN	1	1	1	1	1	1		
24	1	114252-66252	SPRING, RETURN	1	1	1	1	1	1		
25	1	714268-66500	BRACKET ASSY,REGULAT	1	1	1	1	1	1		
27	3	114250-66440	BOLT, ADJUSTING	1	1	1	1	1	1		
28	3	102100-67080	BOLT, ADJUSTING	1	1	1	1	1	1		
29	2	26757-060002	LOCK NUT M 6 PLATED	2	2	2	2	2	2		
31	1	114650-66500	TORQUE SPRING ASSY	1	1	1	1	1	1		
33	1	183250-66500	BRACKET ASSY,REGULAT	1	1	1					Y
34	2	183250-66050	HANDLE, REGULATOR	1	1	1					Y
35	2	183250-66070	SHAFT, HANDLE	1	1	1					Y
36	2	183250-66100	BRACKET, REGULATOR	1	1	1					Y
37	2	114250-66440	BOLT, ADJUSTING	1	1	1					Y
38	2	104200-66820	SPRING	1	1	1					Y
39	2	104200-66830	PLATE, FRICTION	2	2	2					Y
40	2	104200-66850	WASHER (B)	1	1	1					Y
41	2	26696-100002	NUT M10	1	1	1					Y
42	2	26757-060002	LOCK NUT M 6 PLATED	1	1	1					Y
43	1	114650-66600	TORQUE SPRING ASSY	1	1						#
45	1	114268-66200	SPRING, RETURN		1						H
46	1	114654-66140	PIECE		1						H
47	1	114650-66150	LEVER, STOP		1						H
48	1	114250-66440	BOLT, ADJUSTING		2						H
49	1	114652-66871	LEVER, REGULATOR		1						H
50	1	114652-66881	BLACKET,LEVER		1						H
51	1	105225-66990	SCREW		1						H
52	1	102100-67080	BOLT, ADJUSTING		1						H
53	1	160725-78350	KNOB (W/M6X15)	1	1	1	1	1	1		

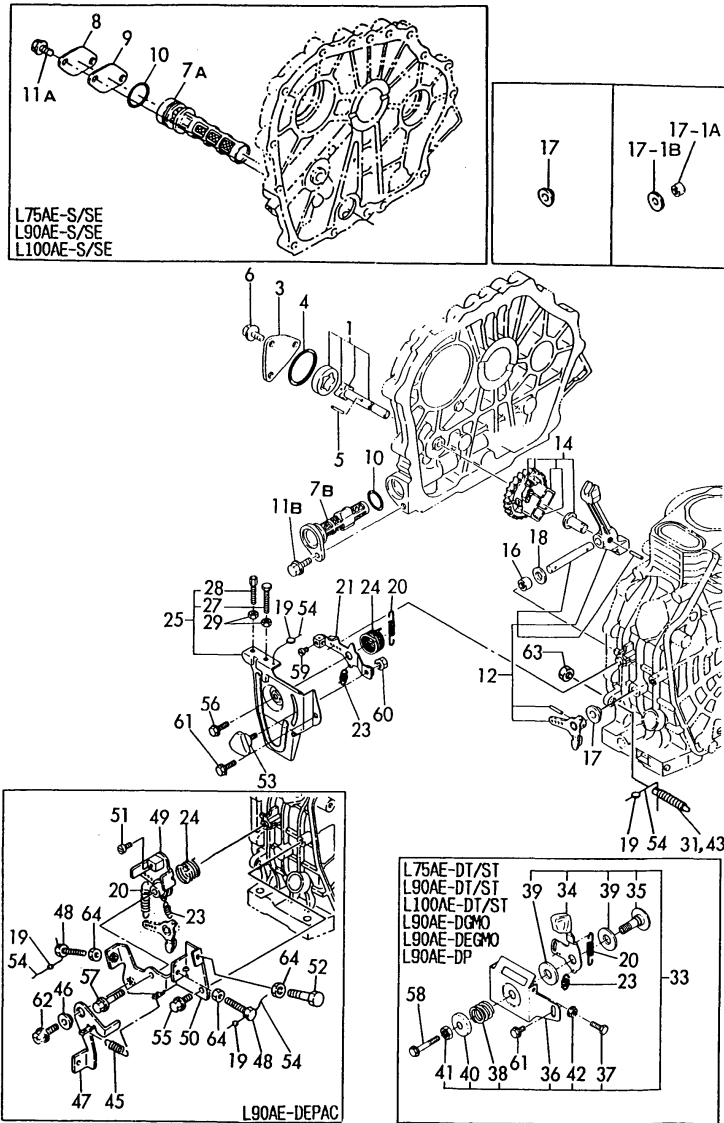
Remarks  
(Y) FOR L75AE/90AE-D(E)GMO &  
L75AE/90AE/100AE-D(E)P  
(#) FOR L75AE/90AE-D(E)GMO  
(H) FOR L90AE-DEPAC

Fig.33. L.O. DEVICE & GOVERNOR CONTROL

(A)=L75AE-D/DE  
 (B)=L90AE-D/DE  
 (C)=L100AE-D/DE

(D)=L75AE-S/SE  
 (E)=L90AE-S/SE  
 (F)=L100AE-S/SE

Fig. **33** LUB. OIL PUMP & GOVERNOR



No.	Lev.	Parts No.	Description	Q'ty						I	R
				(A)	(B)	(C)	(D)	(E)	(F)		
54	1	22451-060000	WIRE 0.6	2	2	2	2	2	2		
55	1	26106-060122	BOLT M 6X 12 PLATED		1						H
56	1	26106-060202	BOLT M 6X 20 PLATED	1	1	1	1	1	1		
57	1	26106-060302	BOLT M 6X 30 PLATED		1						H
58	1	26106-060452	BOLT M 6X 45 PLATED	1	1	1					Y
59	1	26116-040088	BOLT M 4X 8 PLATED	1	1	1	1	1	1		
60	1	26346-060002	U-NUT M 6 PLATED	1	1	1	1	1	1		
61	1	26476-060142	BOLT M 6X 14, TAPPING	1	1	1	1	1	1		
62	1	26476-060202	BOLT M 6X 20, TAPPING		1	1					
63	1	26696-100002	NUT M10	1	1	1	1	1	1		
64	1	26757-060002	LOCK NUT M 6 PLATED	2	3	3	2	2	2		

Remarks

(Y) FOR L75AE/90AE-D(E)GMO &  
 L75AE/90AE/100AE-D(E)P  
 (#) FOR L75AE/90AE-D(E)GMO  
 (H) FOR L90AE-DEPAC

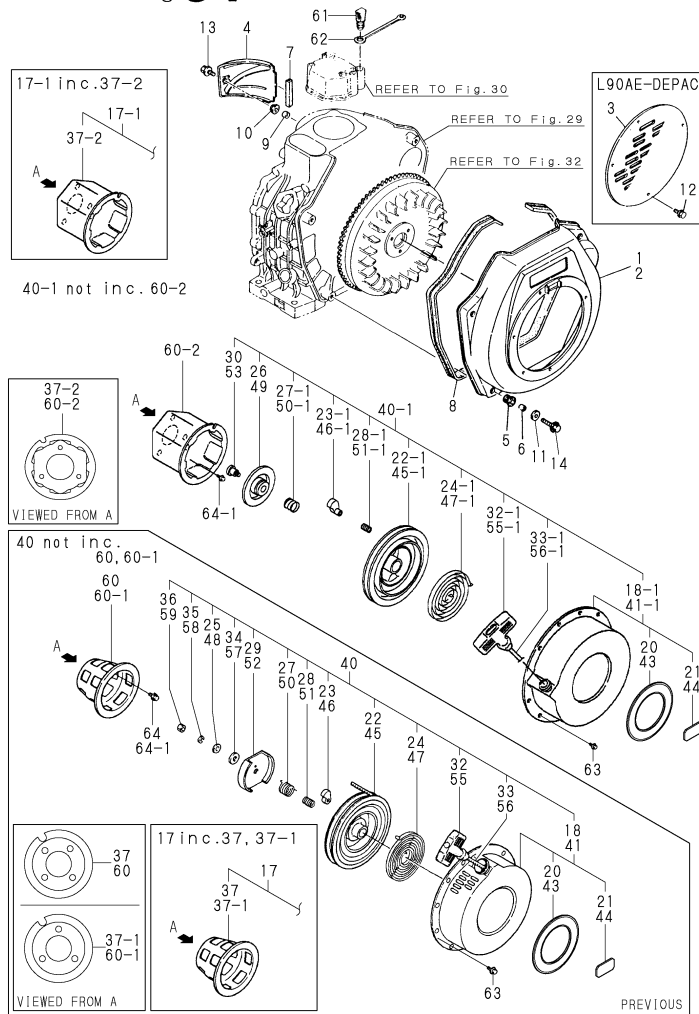
# Fig.34. COOLING & RECOIL STARTER

(A)=L75AE-D/DE  
(B)=L90AE-D/DE  
(C)=L100AE-D/DE

(D)=L75AE-S/SE  
(E)=L90AE-S/SE  
(F)=L100AE-S/SE

P/C NEWS No:Y00R3981-2  
PUBLISHED:2002/11

Fig.34 COOLING & STARTING DEVICE



No.	Lev.	Parts No.	Description	Q'ty						I	R
				(A)	(B)	(C)	(D)	(E)	(F)		
1	1	114668-45102	CASE,FAN(SILVER)(17)	1	1	1					
2	1	114658-45102	CASE,FAN(SILVER)(17)				1	1	1		
3	1	114654-45180	COVER, DUST		1						1
4	1	114650-45200	COVER, CYLINDER	1	1	1	1	1	1	1	
5	1	114250-45300	RUBBER, CUSHION	4	4	4	4	4	4	4	
6	1	114250-45310	COLLAR	4	4	4	4	4	4	4	
7	1	114350-45320	RUBBER, SEAL	1	1	1	1	1	1	1	
8	1	114650-45330	SEAL, FAN CASE	1	1	1	1	1	1	1	
9	1	114350-45340	COLLAR	1	1	1	1	1	1	1	
10	1	183720-55210	GROMMET	1	1	1	1	1	1	1	
11	1	160120-76940	WASHER	4	4	4	4	4	4	4	
12	1	26106-060082	BOLT M 6X 8 PLATED		4						1
13	1	26476-060202	BOLT M 6X 20, TAPPING	1	1	1	1	1	1	1	
14	1	26476-060252	BOLT M 6X 25, TAPPING	4	4	4	4	4	4	4	
17	1	714660-76820	RECOIL(D) W/PULLEY	1	1	1					W
(A=FROM 1ST) (B=FROM 1ST) (C=FROM 1ST)											
17-1	1	714660-76821	RECOIL(D) W/PULLEY	1	1	1					F 2
(A=*2000.06) (B=*2000.06) (C=*2000.06)											
18	2	714660-76831	CASE, STARTER W/LABEL	1	1	1					
18-1	2	714660-76832	CASE, STARTER W/LABEL	1	1	1					S
(A=*2000.06) (B=*2000.06) (C=*2000.06)											
20	3	114250-07350	LABEL, YANMAR DIESEL	1	1	1					
21	3	114570-07050	LABEL(L75A)	1	1	1					
21A	3	114670-07050	LABEL(L90A)	1	1	1					
21B	3	114970-07050	LABEL(L100A)	1	1	1					
21C	3	183550-07120	LABEL(L75)	1	1	1					
21D	3	183650-07120	LABEL(L90)	1	1	1					
22	2	114650-76520	REEL, RECOIL	1	1	1					
22-1	2	114880-76520	REEL, RECOIL	1	1	1					S
(A=*2000.06) (B=*2000.06) (C=*2000.06)											
23	2	160910-76530	RATCHET	1	1	1					
23-1	2	114870-76530	RATCHET	2	2	2					S
(A=*2000.06) (B=*2000.06) (C=*2000.06)											
24	2	114650-76540	SPRING, SPIRAL	1	1	1					
24-1	2	114870-76540	SPRING, SPIRAL	1	1	1					S
(A=*2000.06) (B=*2000.06) (C=*2000.06)											
25	2	160910-76550	WASHER, THRUST	1	1	1					
26	2	114880-76550	GUIDE, RATCHET	1	1	1					W
(A=*2000.06) (B=*2000.06) (C=*2000.06)											
27	2	160910-76560	SPRING, FRICTION	1	1	1					
27-1	2	114870-76560	SPRING, FRICTION	1	1	1					S
(A=*2000.06) (B=*2000.06) (C=*2000.06)											
28	2	160910-76570	SPRING, RETURN	1	1	1					
28-1	2	114870-76570	SPRING, RETURN	2	2	2					S
(A=*2000.06) (B=*2000.06) (C=*2000.06)											
29	2	160910-76580	PLATE, FRICTION	1	1	1					
30	2	114870-76580	SET SCREW	1	1	1					W
(A=*2000.06) (B=*2000.06) (C=*2000.06)											
32	2	160910-76620	KNOB, STARTER	1	1	1					
32-1	2	114870-76620	KNOB, STARTER	1	1	1					S
(A=*2000.06) (B=*2000.06) (C=*2000.06)											

Remarks  
 (1)FOR L90AE-DEPAC.  
 (2)INTERCHANGEABLE BY SIMULTANEOUS REPLACEMENT WITH FIG.32 NO.33-1 OR 34-1.  
 (3)INTERCHANGEABLE BY SIMULTANEOUS REPLACEMENT WITH NO.60-2 & FIG.32 NO.37-1 OR 38-1.

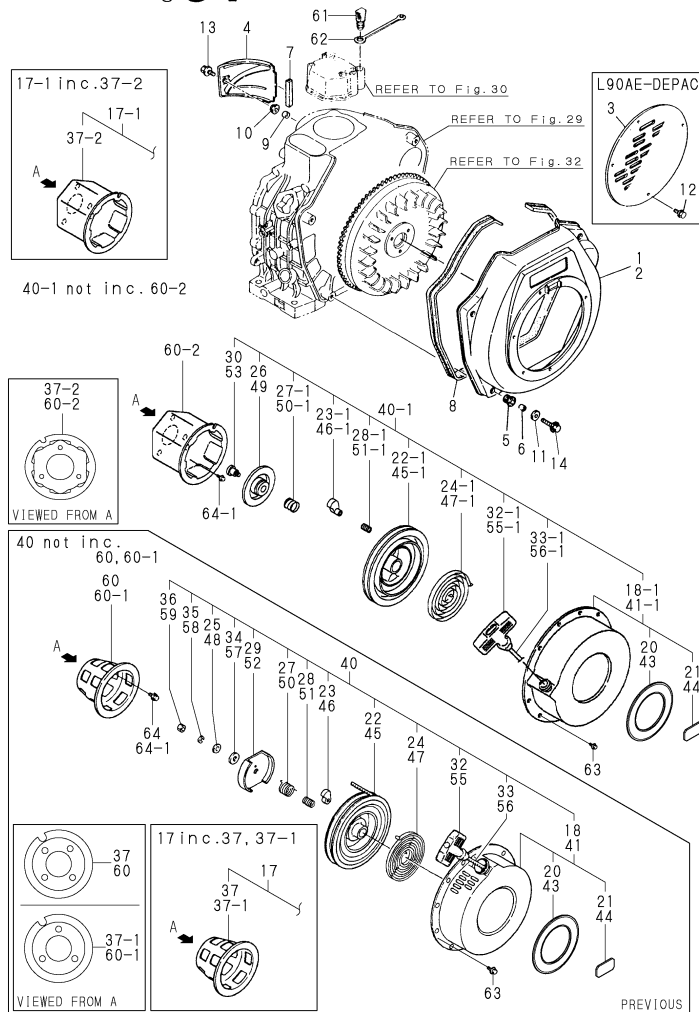
# Fig.34. COOLING & RECOIL STARTER

(A)=L75AE-D/DE  
(B)=L90AE-D/DE  
(C)=L100AE-D/DE

(D)=L75AE-S/SE  
(E)=L90AE-S/SE  
(F)=L100AE-S/SE

P/C NEWS No:Y00R3981-2  
PUBLISHED:2002/11

Fig.34 COOLING & STARTING DEVICE



No.	Lev.	Parts No.	Description	Q'ty						I	R
				(A)	(B)	(C)	(D)	(E)	(F)		
33	2	160910-76630	ROPE, STARTER	1	1	1					
33-1	2	114650-76631	ROPE, STARTER	1	1	1					S
		(A=*2000.06)	(B=*2000.06)	(C=*2000.06)							
34	2	160910-76650	WASHER (B)	1	1	1					
35	2	22217-060000	SPRING WASHER 6	1	1	1					
36	2	26717-060002	NUT M 6	1	1	1					
37	2	114660-76590	PULLEY, STARTER	1	1	1					
37-1	2	114660-76591	PULLEY, STARTER	1	1	1					S
		(A=*1999.08)	(B=*1999.08)	(C=*1999.08)							
37-2	2	114660-76592	PULLEY, STARTER	1	1	1					S
		(A=*2000.06)	(B=*2000.06)	(C=*2000.06)							
40	1	714650-76820	RECOIL(S) W/O PULLEY				1	1	1		W
			(D=FROM 1ST)	(E=FROM 1ST)	(F=FROM 1ST)						
40-1	1	714650-76821	RECOIL(S) W/O PULLEY	1	1	1					F 3
			(D=*2000.06)	(E=*2000.06)	(F=*2000.06)						
41	2	714650-76831	CASE, STARTER W/LABEL				1	1	1		
41-1	2	714650-76832	CASE, STARTER W/LABEL	1	1	1					S
			(D=*2000.06)	(E=*2000.06)	(F=*2000.06)						
43	3	114250-07350	LABEL, YANMAR DIESEL	1	1	1					
44	3	114570-07050	LABEL(L75A)	1	1	1					
44A	3	114670-07050	LABEL(L90A)	1	1	1					
44B	3	114970-07050	LABEL(L100A)	1	1	1					
44C	3	183550-07120	LABEL(L75)	1	1	1					
44D	3	183650-07120	LABEL(L90)	1	1	1					
45	2	114650-76520	REEL, RECOIL	1	1	1					
45-1	2	114880-76520	REEL, RECOIL	1	1	1					S
			(D=*2000.06)	(E=*2000.06)	(F=*2000.06)						
46	2	160910-76530	RATCHET	1	1	1					
46-1	2	114870-76530	RATCHET	2	2	2					S
			(D=*2000.06)	(E=*2000.06)	(F=*2000.06)						
47	2	114650-76540	SPRING, SPIRAL	1	1	1					
47-1	2	114870-76540	SPRING, SPIRAL	1	1	1					S
			(D=*2000.06)	(E=*2000.06)	(F=*2000.06)						
48	2	160910-76550	WASHER, THRUST	1	1	1					
49	2	114870-76550	GUIDE, RATCHET	1	1	1					W
			(D=*2000.06)	(E=*2000.06)	(F=*2000.06)						
50	2	160910-76560	SPRING, FRICTION	1	1	1					
50-1	2	114870-76560	SPRING, FRICTION	1	1	1					S
			(D=*2000.06)	(E=*2000.06)	(F=*2000.06)						
51	2	160910-76570	SPRING, RETURN	1	1	1					
51-1	2	114870-76570	SPRING, RETURN	2	2	2					S
			(D=*2000.06)	(E=*2000.06)	(F=*2000.06)						
52	2	160910-76580	PLATE, FRICTION	1	1	1					
53	2	114870-76580	SET SCREW	1	1	1					W
			(D=*2000.06)	(E=*2000.06)	(F=*2000.06)						
55	2	160910-76620	KNOB, STARTER	1	1	1					
55-1	2	114870-76620	KNOB, STARTER	1	1	1					S
			(D=*2000.06)	(E=*2000.06)	(F=*2000.06)						
56	2	160910-76630	ROPE, STARTER	1	1	1					
56-1	2	114650-76631	ROPE, STARTER	1	1	1					S
			(D=*2000.06)	(E=*2000.06)	(F=*2000.06)						

Remarks  
 (1)FOR L90AE-DEPAC.  
 (2)INTERCHANGEABLE BY SIMULTANEOUS REPLACEMENT WITH FIG.32 NO.33-1 OR 34-1.  
 (3)INTERCHANGEABLE BY SIMULTANEOUS REPLACEMENT WITH NO.60-2 & FIG.32 NO.37-1 OR 38-1.

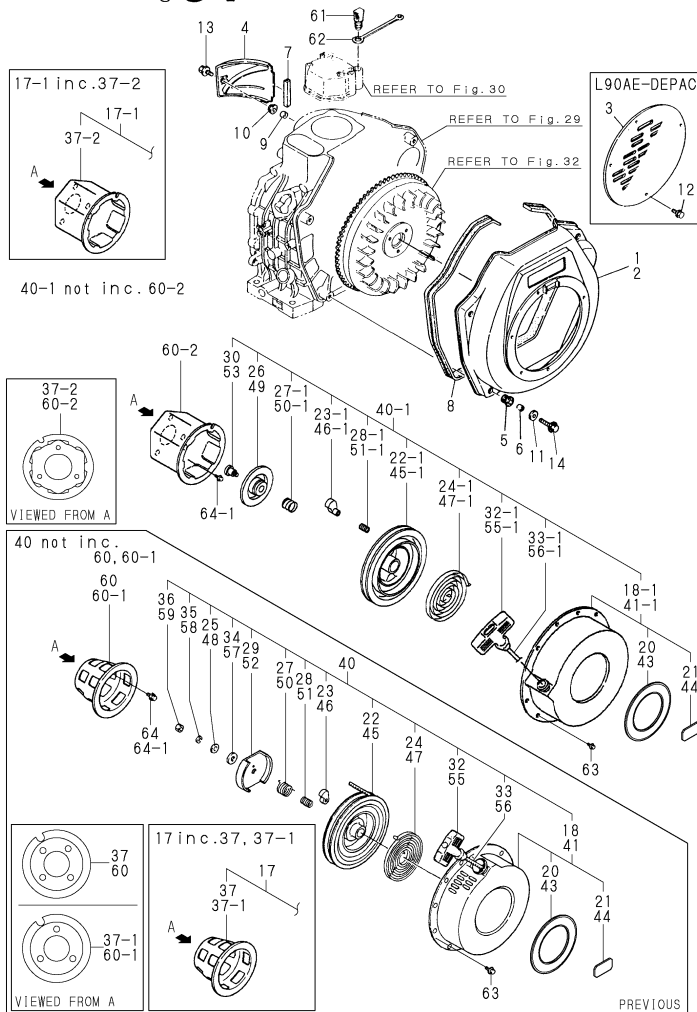
# Fig.34. COOLING & RECOIL STARTER

(A)=L75AE-D/DE  
 (B)=L90AE-D/DE  
 (C)=L100AE-D/DE

(D)=L75AE-S/SE  
 (E)=L90AE-S/SE  
 (F)=L100AE-S/SE

P/C NEWS No:Y00R3981-2  
 PUBLISHED:2002/11

Fig.34 COOLING & STARTING DEVICE



No.	Lev.	Parts No.	Description	Q'ty						I	R	
				(A)	(B)	(C)	(D)	(E)	(F)			
57	2	160910-76650	WASHER (B)				1	1	1			
58	2	22217-060000	SPRING WASHER 6				1	1	1			
59	2	26717-060002	NUT M 6				1	1	1			
60	1	114660-76590	PULLEY, STARTER				1	1	1			
60-1	1	114660-76591	PULLEY, STARTER				1	1	1		S	
			(D=*1999.08)				(E=*1999.08)		(F=*1999.08)			
60-2	1	114660-76592	PULLEY, STARTER				1	1	1		S	
			(D=*2000.06)				(E=*2000.06)		(F=*2000.06)			
61	1	114250-76600	PLUNGER		1	1	1	1	1	1		
62	1	114250-76610	HOLDER, PLUNGER		1	1	1	1	1	1		
63	1	26106-060082	BOLT M 6X 8 PLATED		4	4	4	4	4	4		
64	1	26106-060122	BOLT M 6X 12 PLATED		4	4	4	4	4	4		
64-1	1	26106-060122	BOLT M 6X 12 PLATED		3	3	3	3	3	3	K	
			(A=*1999.08)		(B=*1999.08)		(C=*1999.08)		(D=*1999.08)		(E=*1999.08)	(F=*1999.08)

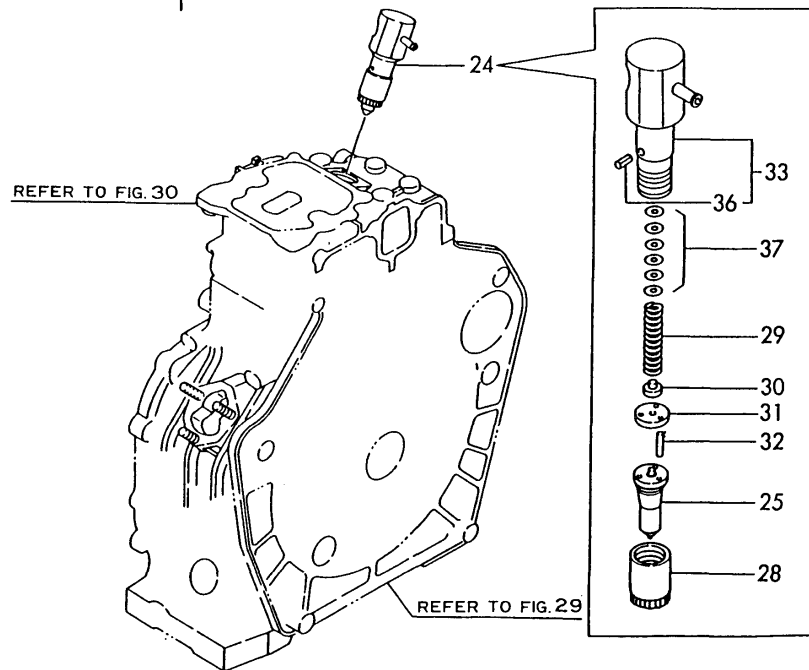
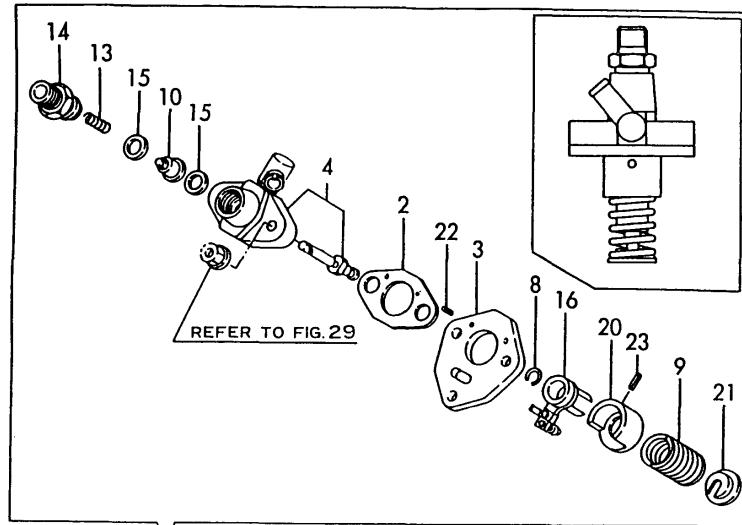
Remarks  
 (1)FOR L90AE-DEPAC.  
 (2)INTERCHANGEABLE BY SIMULTANEOUS REPLACEMENT WITH FIG.32 NO.33-1 OR 34-1.  
 (3)INTERCHANGEABLE BY SIMULTANEOUS REPLACEMENT WITH NO.60-2 & FIG.32 NO.37-1 OR 38-1.

Fig.35. FUEL INJECTION PUMP & VALVE

(A)=L75AE-D/DE  
(B)=L90AE-D/DE  
(C)=L100AE-D/DE

(D)=L75AE-S/SE  
(E)=L90AE-S/SE  
(F)=L100AE-S/SE

Fig. **35** FUEL INJECTION PUMP & VALVE



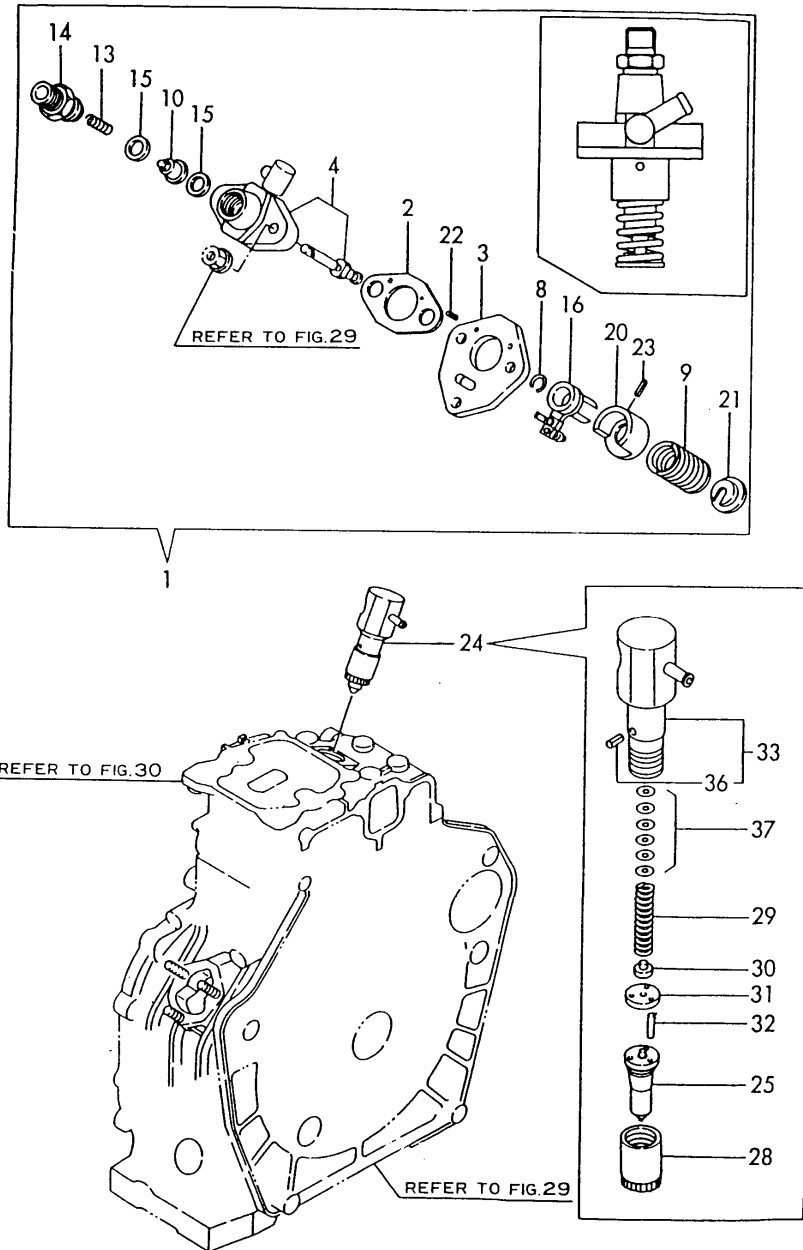
No.	Lev.	Parts No.	Description	Q'ty						I	R
				(A)	(B)	(C)	(D)	(E)	(F)		
1A	1	714550-51700	PUMP ASSY, F.INJECT.	1			1				
1B	1	714650-51700	PUMP ASSY, F.INJECT.		1			1			
1C	1	714970-51700	PUMP ASSY, F.INJECT.			1				1	
2	2	105546-51020	GASKET	1	1	1	1	1	1	1	
3	2	114250-51080	PLATE	1	1	1	1	1	1	1	
4A	2	114650-51100	BODY, F.I. PUMP	1	1		1	1			
4B	2	114970-51100	BODY, F. I. PUMP			1				1	
8	2	114250-51150	RING, SNAP	1	1	1	1	1	1	1	
9	2	114250-51160	SPRING	1	1	1	1	1	1	1	
10	2	114650-51300	VALVE ASSY, DELIVERY	1	1	1	1	1	1	1	
13	2	105546-51330	SPRING, DELIV. VALVE	1	1	1	1	1	1	1	
14	2	114250-51340	HOLDER, F.I.P.DELIVE	1	1	1	1	1	1	1	
15	2	124550-51350	GASKET, DELIVERY	2	2	2	2	2	2	2	
16	2	114250-51600	LEVER ASSY, CONTROL	1	1	1	1	1	1	1	
20	2	114250-51640	SEAT (A), SPRING	1	1	1	1	1	1	1	
21	2	114250-51650	SEAT (B), SPRING	1	1	1	1	1	1	1	
22	2	22351-020006	SPRING PIN 2X 6	2	2	2	2	2	2	2	
23	2	22351-030008	SPRING PIN 3X 8	1	1	1	1	1	1	1	
24	1	714650-53100	VALVE ASSY, F.INJECT	1	1	1	1	1	1	1	
25	2	114650-53000	NOZZLE ASSY,F.INJECT	1	1	1	1	1	1	1	
28	2	114250-53080	NUT, NOZZLE CASE	1	1	1	1	1	1	1	
29	2	114250-53120	SPRING, NOZZLE	1	1	1	1	1	1	1	
30	2	114250-53130	SEAT, NOZZLE SPRING	1	1	1	1	1	1	1	
31	2	114250-53140	PLATE, STOP	1	1	1	1	1	1	1	
32	2	114250-53210	PIN	2	2	2	2	2	2	2	
33	2	114650-53300	HOLDER ASSY, NOZZLE	1	1	1	1	1	1	1	
36	3	114250-53331	PIN, SPRING	1	1	1	1	1	1	1	
37	2	114250-53400	SHIM PACK	1	1	1	1	1	1	1	

Fig.36. FUEL INJECTION PUMP & VALVE

(A)=L75AE-D(E)TM  
(B)=L90AE-D(E)TM  
(C)=L100AE-DETM

(D)=L75AE-S(E)TM  
(E)=L90AE-S(E)TM  
(F)=L100AE-SETM

Fig. **36** FUEL INJECTION PUMP & VALVE



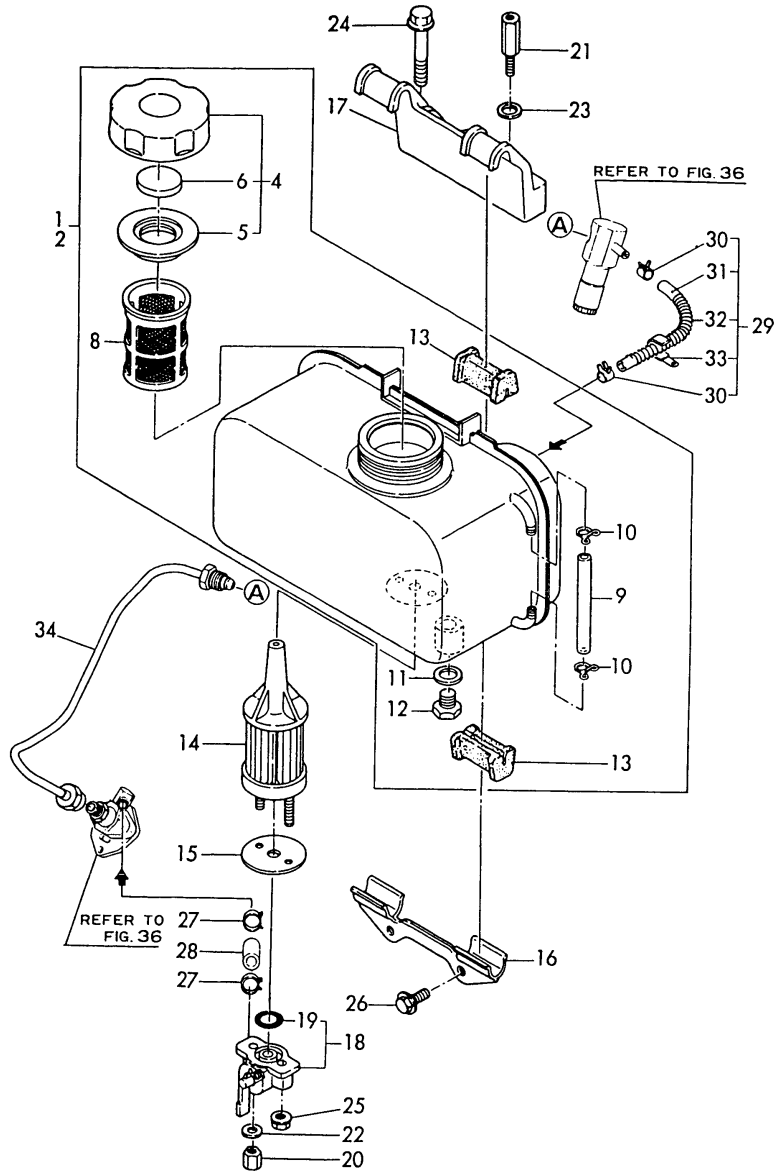
No.	Lev.	Parts No.	Description	Q'ty						I	R
				(A)	(B)	(C)	(D)	(E)	(F)		
1A	1	783550-51740	PUMP ASSY. F.INJECT.	1			1				
1B	1	783650-51740	PUMP ASSY. F.INJECT.		1			1			
1C	1	783986-51740	PUMP ASSY. F.INJECT.			1				1	
2	2	105546-51020	GASKET	1	1	1	1	1	1	1	
3	2	114250-51080	PLATE	1	1	1	1	1	1	1	
4A	2	183650-51400	BODY, F. I. PUMP	1	1		1	1			
4B	2	183986-51400	BODY, F. I. PUMP			1				1	
8	2	114250-51150	RING, SNAP	1	1	1	1	1	1	1	
9	2	114250-51160	SPRING	1	1	1	1	1	1	1	
10	2	114650-51300	VALVE ASSY, DELIVERY	1	1	1	1	1	1	1	
13	2	105546-51330	SPRING, DELIV. VALVE	1	1	1	1	1	1	1	
14	2	114250-51340	HOLDER, F.I.P.DELIVE	1	1	1	1	1	1	1	
15	2	124550-51350	GASKET, DELIVERY	2	2	2	2	2	2	2	
16	2	114250-51600	LEVER ASSY, CONTROL	1	1	1	1	1	1	1	
20	2	114250-51640	SEAT (A), SPRING	1	1	1	1	1	1	1	
21	2	114250-51650	SEAT (B), SPRING	1	1	1	1	1	1	1	
22	2	22351-020006	SPRING PIN 2X 6	2	2	2	2	2	2	2	
23	2	22351-030008	SPRING PIN 3X 8	1	1	1	1	1	1	1	
24	1	714650-53100	VALVE ASSY, F.INJECT	1	1	1	1	1	1	1	
25	2	114650-53000	NOZZLE ASSY,F.INJECT	1	1	1	1	1	1	1	
28	2	114250-53080	NUT, NOZZLE CASE	1	1	1	1	1	1	1	
29	2	114250-53120	SPRING, NOZZLE	1	1	1	1	1	1	1	
30	2	114250-53130	SEAT, NOZZLE SPRING	1	1	1	1	1	1	1	
31	2	114250-53140	PLATE, STOP	1	1	1	1	1	1	1	
32	2	114250-53210	PIN	2	2	2	2	2	2	2	
33	2	114650-53300	HOLDER ASSY, NOZZLE	1	1	1	1	1	1	1	
36	3	114250-53331	PIN, SPRING	1	1	1	1	1	1	1	
37	2	114250-53400	SHIM PACK	1	1	1	1	1	1	1	

Fig.37. FUEL TANK & FUEL PIPE

(A)=L75AE-D/DE  
(B)=L90AE-D/DE  
(C)=L100AE-D/DE

(D)=L75AE-S/SE  
(E)=L90AE-S/SE  
(F)=L100AE-S/SE

Fig. 37 FUEL TANK & FUEL LINE



No.	Lev.	Parts No.	Description	Q'ty						I	R
				(A)	(B)	(C)	(D)	(E)	(F)		
1	1	714569-55701	TANK ASSY, FUEL(D/S)	1	1	1	1	1	1		
2	1	714668-55721	TANK ASSY.FUEL(DGMO)	1	1						H
4	2	114250-55041	CAP, TANK	1	1	1	1	1	1		
5	3	114250-55050	GASKET, TANK CAP	1	1	1	1	1	1		
6	3	114250-55060	SEAL	1	1	1	1	1	1		
8	2	114250-55100	FILTER, FUEL	1	1	1	1	1	1		
9	2	114650-55150	PIPE, GAUGE	1	1	1	1	1	1		
10	2	124722-59050	CLAMP 9	2	2	2	2	2	2		
11	2	23414-120000	GASKET 12, ROUND	1	1	1	1	1	1		
12	2	23887-120002	PLUG 12,HEX.	1	1	1	1	1	1		
13	2	114250-55201	DAMPER, FUEL TANK	4	4	4	4	4	4		
14	1	114650-55120	FILTER, FUEL OIL	1	1	1	1	1	1		
15	1	114250-55130	GASKET	1	1	1	1	1	1		
16	1	114250-55211	STAY (A)	1	1	1	1	1	1		
17	1	114650-55230	STAY (B)	1	1	1	1	1	1		
18	1	114250-55300	COCK ASSY, FUEL	1	1	1	1	1	1		
19	2	24341-000150	O-RING 1A S-15.0	1	1	1	1	1	1		
20	1	114252-55800	NUT	1	1	1	1	1	1		
21	1	114650-55810	BOLT, LIFTING	1	1	1	1	1	1		
22	1	22117-060000	WASHER 6	1	1	1	1	1	1		
23	1	22117-080000	WASHER 8	1	1	1	1	1	1		
24	1	26106-080452	BOLT M 8X 45 PLATED	1	1	1	1	1	1		
25	1	26366-060002	NUT M 6	1	1	1	1	1	1		
26	1	26476-060142	BOLT M 6X 14,TAPPING	2	2	2	2	2	2		
27	1	106990-44660	CLIP,HOSE	2	2	2	2	2	2		
28	1	114250-59050	PIPE, FUEL OIL	1	1	1	1	1	1		
29	1	114652-59300	PIPE, FUEL RETURN	1	1	1	1	1	1		
30	2	124722-59050	CLAMP 9	2	2	2	2	2	2		
31	2	114250-59060	PIPE, FUEL RETURN	1	1	1	1	1	1		
32	2	114652-59310	TUBE, PROTECT	1	1	1	1	1	1		
33	2	121750-59890	CLAMP 140	1	1	1	1	1	1		
34	1	114650-59800	PIPE, FUEL INJECTION	1	1	1	1	1	1		

Remarks  
(H) FOR L75AE/90AE-D(E)GMO

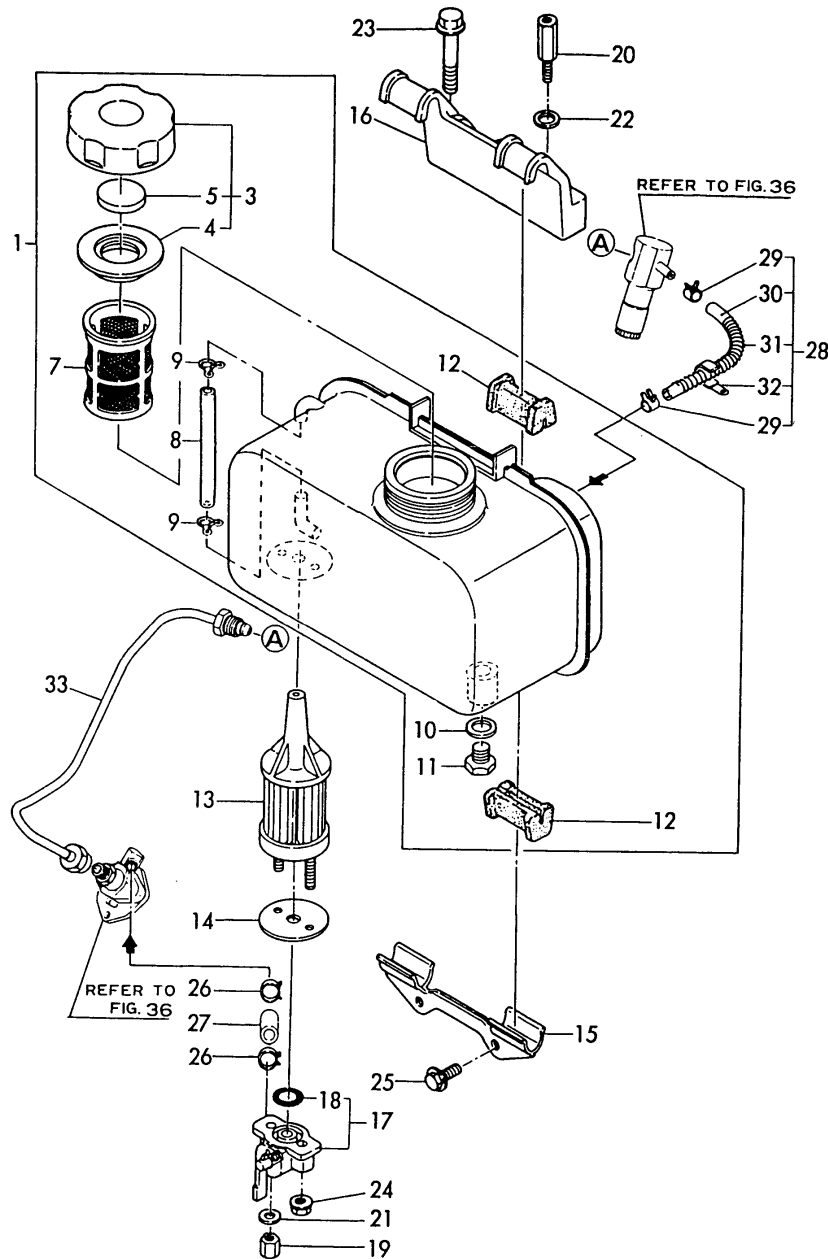


Fig.38. FUEL TANK & FUEL PIPE

(A)=L75AE-D(E)TM  
(B)=L90AE-D(E)TM  
(C)=L100AE-DETM

(D)=L75AE-S(E)TM  
(E)=L90AE-S(E)TM  
(F)=L100AE-SETM

Fig. 38 FUEL TANK & FUEL LINE



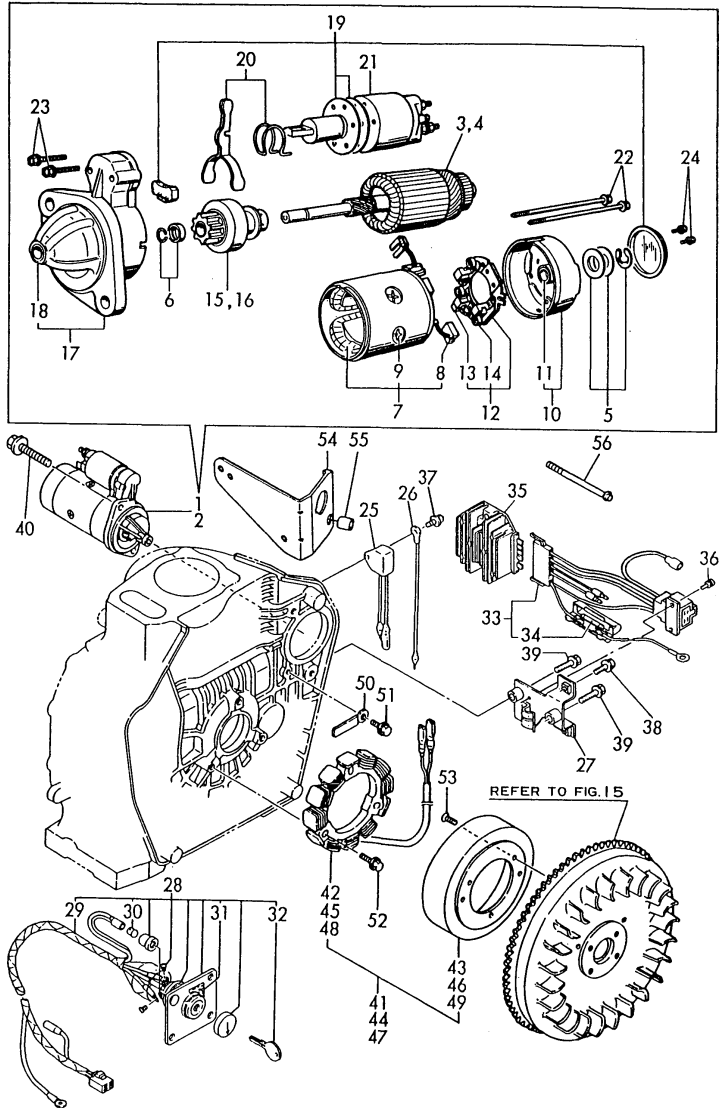
No.	Lev.	Parts No.	Description	Q'ty						I	R
				(A)	(B)	(C)	(D)	(E)	(F)		
1	1	714668-55700	TANK ASSY.(DTM/STM)	1	1	1	1	1	1		
3	2	114250-55041	CAP, TANK	1	1	1	1	1	1		
4	3	114250-55050	GASKET, TANK CAP	1	1	1	1	1	1		
5	3	114250-55060	SEAL	1	1	1	1	1	1		
7	2	114250-55100	FILTER, FUEL	1	1	1	1	1	1		
8	2	114650-55150	PIPE, GAUGE	1	1	1	1	1	1		
9	2	124722-59050	CLAMP 9	2	2	2	2	2	2		
10	2	23414-120000	GASKET 12, ROUND	1	1	1	1	1	1		
11	2	23887-120002	PLUG 12,HEX.	1	1	1	1	1	1		
12	2	114250-55201	DAMPER, FUEL TANK	4	4	4	4	4	4		
13	1	114650-55120	FILTER, FUEL OIL	1	1	1	1	1	1		
14	1	114250-55130	GASKET	1	1	1	1	1	1		
15	1	114250-55211	STAY (A)	1	1	1	1	1	1		
16	1	114650-55230	STAY (B)	1	1	1	1	1	1		
17	1	114250-55300	COCK ASSY, FUEL	1	1	1	1	1	1		
18	2	24341-000150	O-RING 1A S-15.0	1	1	1	1	1	1		
19	1	114252-55800	NUT	1	1	1	1	1	1		
20	1	114650-55810	BOLT, LIFTING	1	1	1	1	1	1		
21	1	22117-060000	WASHER 6	1	1	1	1	1	1		
22	1	22117-080000	WASHER 8	1	1	1	1	1	1		
23	1	26106-080452	BOLT M 8X 45 PLATED	1	1	1	1	1	1		
24	1	26366-060002	NUT M 6	1	1	1	1	1	1		
25	1	26476-060142	BOLT M 6X 14, TAPPING	2	2	2	2	2	2		
26	1	106990-44660	CLIP,HOSE	2	2	2	2	2	2		
27	1	114250-59050	PIPE, FUEL OIL	1	1	1	1	1	1		
28	1	114652-59300	PIPE, FUEL RETURN	1	1	1	1	1	1		
29	2	124722-59050	CLAMP 9	2	2	2	2	2	2		
30	2	114250-59060	PIPE, FUEL RETURN	1	1	1	1	1	1		
31	2	114652-59310	TUBE, PROTECT	1	1	1	1	1	1		
32	2	121750-59890	CLAMP 140	1	1	1	1	1	1		
33	1	114650-59810	PIPE, FUEL INJECTION	1	1	1	1	1	1		

Fig.39. STARTING MOTOR & DYNAMO

(A)=L75AE-DE  
(B)=L90AE-DE  
(C)=L100AE-DE

(D)=L75AE-SE  
(E)=L90AE-SE  
(F)=L100AE-SE

Fig. 39 STARTING MOTOR & DYNAMO



No.	Lev.	Parts No.	Description	Q'ty						I	R
				(A)	(B)	(C)	(D)	(E)	(F)		
1	1	114362-77010	STARTER (S114-414A)	1	1	1					
2	1	114351-77010	STARTER (S114-413A)				1	1	1		
3	2	X211461104	ARMATURE	1	1	1					
4	2	X211461008	ARMATURE				1	1	1		
5	2	X21148110	WASHER SET, THRUST	1	1	1	1	1	1		
6	2	X21147155	STOPPER SET, PINION	1	1	1	1	1	1		
7	3	X211412105	COIL ASSY, FIELD	1	1	1	1	1	1		
8	3	X21145312	BRUSH (+)	2	2	2	2	2	2		
9	3	X21143215	SCREW, CORE	4	4	4	4	4	4		
10	2	X211473002	COVER, REAR	1	1	1	1	1	1		
11	3	X21145352	METAL	1	1	1	1	1	1		
12	2	X211489001	HOLDER ASSY, BRUSH	1	1	1	1	1	1		
13	3	X21148313	BRUSH (-)	1	1	1	1	1	1		
14	3	X21149314	SPRING, BRUSH	3	3	3	3	3	3		
15	2	X211445508	PINION ASSY	1	1	1					
16	2	X211445504	PINION ASSY				1	1	1		
17	2	X211416603	HOUSING ASSY, GEAR	1	1	1	1	1	1		
18	3	X21145352	METAL	1	1	1	1	1	1		
19	2	X211478006	COVER KIT, DUST	1	1	1	1	1	1		
20	2	X211456013	LEVER KIT, SHIFT	1	1	1	1	1	1		
21	2	X211427501	SWITCH, MAGNETIC	1	1	1	1	1	1		
22	2	X211468005	BOLT, THROUGH	2	2	2	2	2	2		
23	2	X21145867	BOLT 6	2	2	2	2	2	2		
24	2	X21142835	SCREW SET	1	1	1	1	1	1		
25	1	160970-77350	RECTIFIER	1	1	1	1	1	1		
26	1	183350-77400	WIRE, LEAD	1	1	1	1	1	1		
27	1	114253-77410	BRACKET	1	1	1					Y
27-1	1	114385-77400	BRACKET	1	1	1					R Y
		(A=X)									
28	1	114351-77500	PANEL ASSY,KEYSWITCH	1	1	1					H
29	2	114351-77700	HARNES, WIRE	1	1	1					H
30	3	29220-083200	BULB (12V/3.4W)	1	1	1					H
31	2	105198-07120	LABEL, STARTER	1	1	1					H
32	2	106100-77630	KEY, STARTER	1	1	1					H
33	1	114351-77540	HARNES, WIRE	1	1	1					Y
34	2	29411-150000	FUSE (15A),CARTRIDGE	2	2	2					Y
35	1	119660-77710	CURRENT LIMITER(15A)	1	1	1					Y
36	1	26023-040102	SCREW M 4X 10	2	2	2					Y
37	1	26106-060122	BOLT M 6X 12 PLATED	1	1	1					Y
38	1	26106-060202	BOLT M 6X 20 PLATED	2	2	2					Y
39	1	26106-060252	BOLT M 6X 25 PLATED	2	2	2	2	2	2		
39-1	1	26106-060122	BOLT M 6X 12 PLATED	2	2	2			2	2	R
		(A=X)									
40	1	26106-100302	BOLT M10X 30 PLATED	2	2	2	2	2	2		
41	1	114351-78250	DYNAMO ASSY	1	1	1	1	1	1		
42	2	114351-78750	STATOR ASSY	1	1	1	1	1	1		
43	2	114351-78760	WHEEL, DYNAMO	1	1	1	1	1	1		
44	1	114351-78260	DYNAMO ASSY (12V-3A)	1	1	1					H
45	2	114351-78770	STATOR ASSY,(132.1MM	1	1	1					H
46	2	114351-78780	WHEEL (STATOR)132.1MM	1	1	1					H
47	1	114351-78290	DYNAMO ASSY (12V-15A			1					#

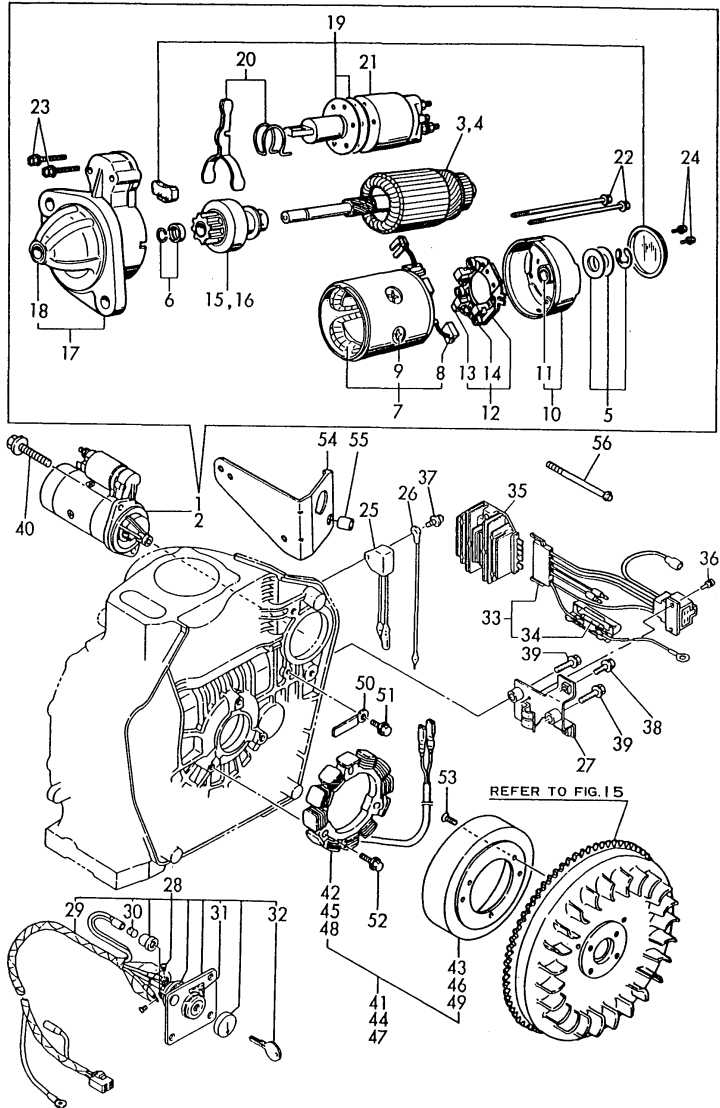
Remarks  
(Y) FOR L90AE-DEPAC, L75AE/90AE/100AE-D(E)P  
(#) FOR L90AE-DEPAC  
(%) OPTIONAL PARTS  
(H) FOR L75AE/90AE/100AE-D(E)P

Fig.39. STARTING MOTOR & DYNAMO

(A)=L75AE-DE  
(B)=L90AE-DE  
(C)=L100AE-DE

(D)=L75AE-SE  
(E)=L90AE-SE  
(F)=L100AE-SE

Fig. **39** STARTING MOTOR & DYNAMO



No.	Lev.	Parts No.	Description	Q'ty						I	R	
				(A)	(B)	(C)	(D)	(E)	(F)			
48	2	114351-78830	STATOR ASSY,(132.1MM		1						#	
49	2	114351-78840	WHEEL (STATOR)132.1MM		1						#	
50	1	160710-78710	CLAMP, CORD	1	1	1	1	1	1			
51	1	26476-060142	BOLT M 6X 14, TAPPING	1	1	1	1	1	1			
52	1	26476-060202	BOLT M 6X 20, TAPPING	3	3	3	3	3	3			
53	1	26577-060142	SCREW M 6X 14	3	3	3	3	3	3			
54	1	114351-77620	BRACKET, ST.SWITCH	1	1	1	1	1	1		%	
55	1	114351-77630	WASHER	2	2	2	2	2	2		%	
56	1	26106-060702	BOLT M 6X 70 PLATED	2	2	2	2	2	2		%	

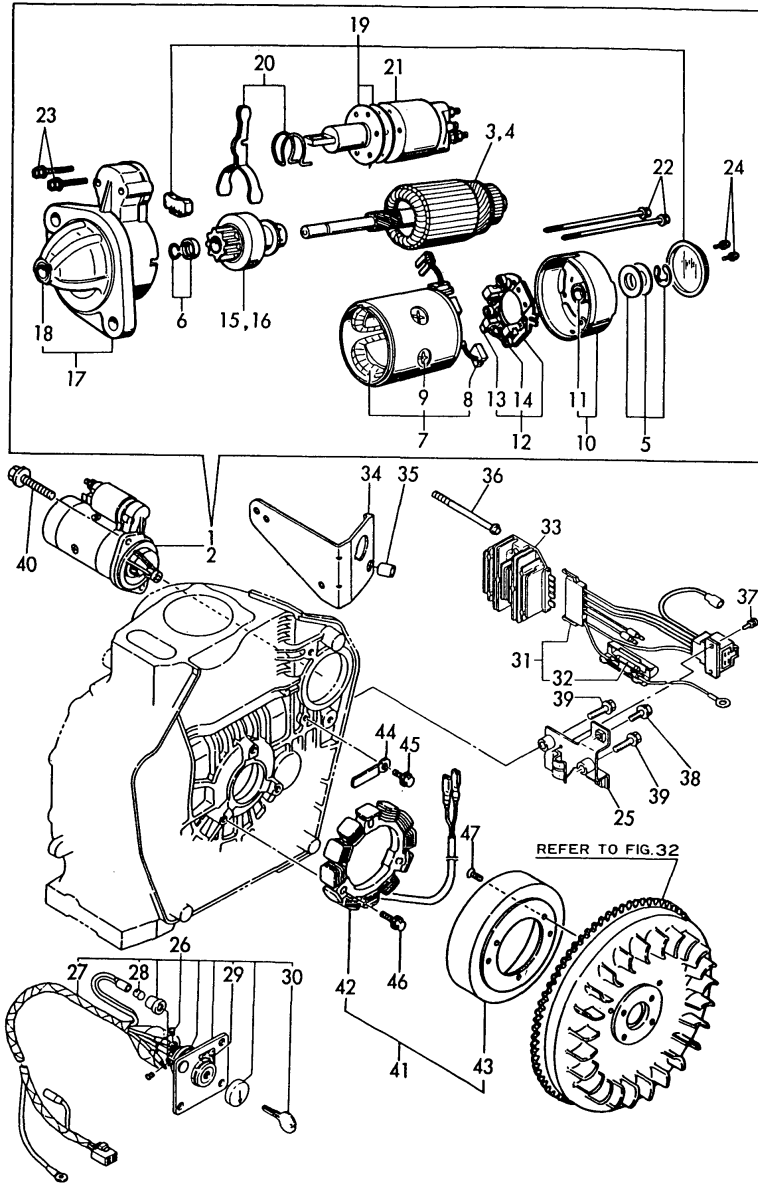
Remarks  
 (Y) FOR L90AE-DEPAC, L75AE/90AE/100AE-D(E)P  
 (#) FOR L90AE-DEPAC  
 (%) OPTIONAL PARTS  
 (H) FOR L75AE/90AE/100AE-D(E)P

Fig.40. STARTING MOTOR & DYNAMO

(A)=H030E-DETM  
(B)=L90AE-DETM  
(C)=L100AE-DETM

(D)=L75AE-SETM  
(E)=L90AE-SETM  
(F)=L100AE-SETM

Fig.40 STARTING MOTOR & DYNAMO



No.	Lev.	Parts No.	Description	Q'ty						I	R
				(A)	(B)	(C)	(D)	(E)	(F)		
1	1	114362-77010	STARTER (S114-414A)	1	1	1					
2	1	114351-77010	STARTER (S114-413A)				1	1	1		
3	2	X211461104	ARMATURE	1	1	1					
4	2	X211461008	ARMATURE				1	1	1		
5	2	X21148110	WASHER SET, THRUST	1	1	1	1	1	1		
6	2	X21147155	STOPPER SET, PINION	1	1	1	1	1	1		
7	3	X211412105	COIL ASSY, FIELD	1	1	1	1	1	1		
8	3	X21145312	BRUSH (+)	2	2	2	2	2	2		
9	3	X21143215	SCREW, CORE	4	4	4	4	4	4		
10	2	X211473002	COVER, REAR	1	1	1	1	1	1		
11	3	X21145352	METAL	1	1	1	1	1	1		
12	2	X211489001	HOLDER ASSY, BRUSH	1	1	1	1	1	1		
13	3	X21148313	BRUSH (-)	1	1	1	1	1	1		
14	3	X21149314	SPRING, BRUSH	3	3	3	3	3	3		
15	2	X211445508	PINION ASSY	1	1	1					
16	2	X211445504	PINION ASSY				1	1	1		
17	2	X211416603	HOUSING ASSY, GEAR	1	1	1	1	1	1		
18	3	X21145352	METAL	1	1	1	1	1	1		
19	2	X211478006	COVER KIT, DUST	1	1	1	1	1	1		
20	2	X211456013	LEVER KIT, SHIFT	1	1	1	1	1	1		
21	2	X211427501	SWITCH, MAGNETIC	1	1	1	1	1	1		
22	2	X211468005	BOLT, THROUGH	2	2	2	2	2	2		
23	2	X21145867	BOLT 6	2	2	2	2	2	2		
24	2	X21142835	SCREW SET	1	1	1	1	1	1		
25	1	114253-77410	BRACKET	1	1	1	1	1	1		
25-1	1	114385-77400	BRACKET	1							R
(A=X)											
26	1	114351-77500	PANEL ASSY,KEYSWITCH	1	1	1	1	1	1		
27	2	114351-77700	HARNES, WIRE	1	1	1	1	1	1		
28	3	29220-083200	BULB (12V/3.4W)	1	1	1	1	1	1		
29	2	105198-07120	LABEL, STARTER	1	1	1	1	1	1		
30	2	106100-77630	KEY, STARTER	1	1	1	1	1	1		
31	1	114351-77540	HARNES, WIRE	1	1	1	1	1	1		
32	2	29411-150000	FUSE (15A),CARTRIDGE	2	2	2	2	2	2		
33	1	119660-77710	CURRENT LIMITER(15A)	1	1	1	1	1	1		
34	1	114351-77620	BRACKET, ST.SWITCH	1	1	1	1	1	1		
35	1	114351-77630	WASHER	2	2	2	2	2	2		H
36	1	26106-060702	BOLT M 6X 70 PLATED	2	2	2	2	2	2		H
37	1	26023-040102	SCREW M 4X 10	2	2	2	2	2	2		
38	1	26106-060202	BOLT M 6X 20 PLATED	2	2	2	2	2	2		
39	1	26106-060252	BOLT M 6X 25 PLATED	2	2	2	2	2	2		
39-1	1	26106-060122	BOLT M 6X 12 PLATED	2							N
(A=X)											
40	1	26106-100302	BOLT M10X 30 PLATED	2	2	2	2	2	2		
41	1	114351-78260	DYNAMO ASSY (12V-3A)	1	1	1	1	1	1		
42	2	114351-78770	STATOR ASSY,(132.1MM)	1	1	1	1	1	1		
43	2	114351-78780	WHEEL (STATOR132.1MM)	1	1	1	1	1	1		
44	1	160710-78710	CLAMP, CORD	1	1	1	1	1	1		
45	1	26476-060142	BOLT M 6X 14, TAPPING	1	1	1	1	1	1		
46	1	26476-060202	BOLT M 6X 20, TAPPING	3	3	3	3	3	3		
47	1	26577-060142	SCREW M 6X 14	3	3	3	3	3	3		

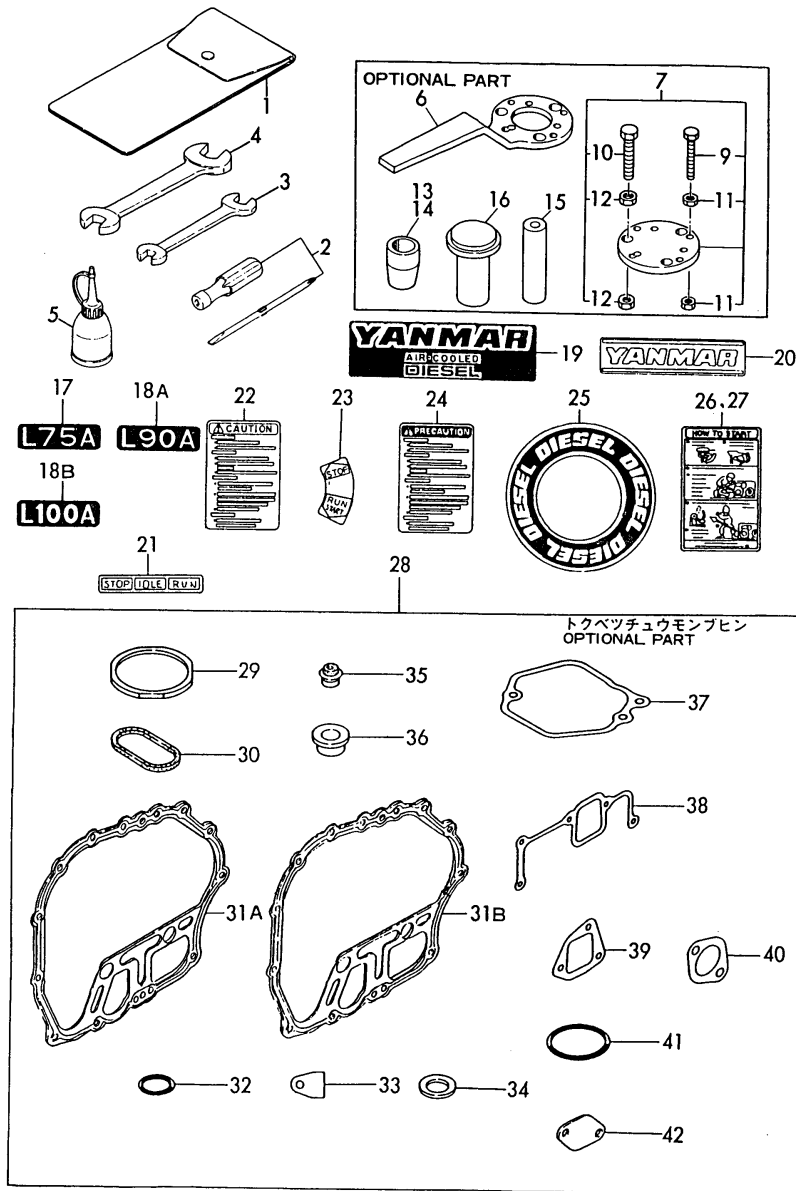
Remarks  
(H) OPTIONAL PARTS

Fig.41. TOOLS / LABELS & GASKET SET

(A)=L75AE-D/DE  
(B)=L90AE-D/DE  
(C)=L100AE-D/DE

(D)=L75AE-S/SE  
(E)=L90AE-S/SE  
(F)=L100AE-S/SE

Fig.41 LABEL, TOOL & GASKET SET



No.	Lev.	Parts No.	Description	Q'ty						I	R
				(A)	(B)	(C)	(D)	(E)	(F)		
1	1	114250-92600	BAG, TOOL	1	1	1	1	1	1		
2	1	160330-92730	SCREWDRIVER	1	1	1	1	1	1		
3	1	28110-100120	WRENCH 10X12	1	1	1	1	1	1		
4	1	28110-140170	WRENCH 14X17	1	1	1	1	1	1		
5	1	28210-000150	FEEDER, OIL	1	1	1	1	1	1		
6	1	114250-92101	F.W. LOCKING HANDLE	1	1	1	1	1	1		Y
7	1	114250-92130	REMOVER, FLYWHEEL	1	1	1	1	1	1		Y
9	2	26116-060454	BOLT M 6X 45 PLATED	4	4	4	4	4	4		Y
10	2	26116-080454	BOLT M 8X 45 PLATED	3	3	3	3	3	3		Y
11	2	26716-060002	NUT 6	8	8	8	8	8	8		Y
12	2	26716-080002	NUT M 8	6	6	6	6	6	6		Y
13	1	114668-92300	GUIDE, OIL SEAL	1	1	1					Y
14	1	114650-92300	GUIDE, OIL SEAL				1	1	1		Y
15	1	114650-92310	INSTALLING TOOL	1	1	1	1	1	1		Y
16	1	114650-92350	INSTALLING TOOL	1	1	1	1	1	1		Y
17	1	114570-07050	LABEL, (L75A)	1			1				
18A	1	114670-07050	LABEL, (L90A)		1			1			
18B	1	114970-07050	LABEL, (L100A)			1			1		
19	1	114250-07090	LABEL, AIR COOLED	1	1	1	1	1	1		
20A	1	114250-07110	LABEL, YANMAR	1	1	1	1	1	1		
20B	1	183250-07110	LABEL, YANMAR	1	1	1					
21	1	183250-07230	LABEL, OPERATION	1	1	1		1	1		
22	1	114268-07240	LABEL, CAUTION	1	1	1	1	1	1		
23	1	114250-07260	LABEL, OPERATION	1	1	1	1	1	1		
24	1	114268-07280	LABEL, PRECAUTION		1	1					
25	1	114250-07350	LABEL, YANMAR DIESEL	1	1	1	1	1	1		
26	1	114268-07350	LABEL, HOW TO START	1	1	1	1	1	1		
27	1	114268-07360	LABEL, HOW TO START(F		1	1					
28A	1	714589-92600	GASKET SET	1			1				
28B	1	714689-92600	GASKET SET		1			1			
28C	1	714970-92600	GASKET SET			1			1		
29A	2	114550-01340	GASKET, CYL. HEAD	1			1				
29B	2	114650-01340	GASKET, CYL. HEAD		1			1			
29C	2	114970-01340	GASKET, CYL. HEAD			1			1		
30	2	114650-01380	O-RING	1	1	1	1	1	1		
31A	2	114650-01412	GASKET, CRANK CASE	1	1	1	1	1	1		
31B	2	114650-01411	GASKET, CRANK CASE	1	1	1	1	1	1		
32	2	24311-000180	O-RING 1A P-18.0	2	2	2	2	2	2		
33	2	114250-01840	GASKET	1	1	1	1	1	1		
34	2	43400-500490	SEAL WASHER 16	2	2	2	2	2	2		
35	2	114650-11340	SEAL, VALVE STEM	2	2	2	2	2	2		
36	2	114250-11460	GASKET, NOZZLE	1	1	1	1	1	1		
37	2	114650-11310	GASKET, BONNET	1	1	1	1	1	1		
38	2	114650-12300	GASKET, AIR INTAKE	1	1	1	1	1	1		
39	2	114650-12210	GASKET, AIR CLEANER	1	1	1	1	1	1		
40	2	114650-13200	GASKET, MUFFLER	1	1	1	1	1	1		
41	2	103338-32570	O-RING	1	1	1	1	1	1		
42	2	114250-35270	GASKET, L.O. STRAINER	1	1	1	1	1	1		

Remarks  
(Y) OPTIONAL PARTS

## Parts No. Index

Parts No.	Fig. No.	Ref. No.
101158-11180	16	6
102100-67080	6	30
	20	30
	33	28
		52
103338-32570	6	4
	14	43
	20	4
	28	44
	33	4
	41	41
103854-01221	4	18
	18	17
104200-23201	32	67
104200-66820	6	38
	20	38
	33	38
104200-66830	6	39
	20	39
	33	39
104200-66850	6	40
	20	40
	33	40
104211-11370	30	23
		24
105010-11490	16	23
		24
105025-01220	29	5
105198-07120	12	51
	13	29
	26	51
	27	29
	39	31
	40	29
105225-01240	15	5
105225-66990	33	51
105425-01690	1	12
	15	12
	29	16
105546-51020	8	3
	9	3
	22	3
	23	3
	35	2
	36	2
105546-51330	8	11
	9	11
	22	11
	23	11
	35	13

Parts No.	Fig. No.	Ref. No.
105546-51330	36	13
106100-77630	12	52
	13	30
	26	52
	27	30
	39	32
	40	30
106990-44660	10	26
	11	26
	24	26
	25	26
	37	27
	38	26
114150-07050	7	23
114170-07050	7	23 A
114250-01200	1	1
114250-01210	1	2
114250-01220	1	3
114250-01250	1	4
114250-01340	1	6 A
	14	31 A
114250-01380	1	7
	14	32
114250-01411	1	8 A
	14	33 A
114250-01412	1	8 B
	14	33 B
114250-01452	1	9 B
114250-01800	1	15
	15	15
	29	20
114250-01830	1	17
	15	17
	29	22
114250-01840	1	18
	14	35
	15	18
	28	35
	29	23
	41	33
114250-02030	1	29
	15	29
	29	34
114250-02100	1	11
114250-02113	1	30
114250-02200	1	40
114250-02210	1	41
114250-03591	2	34
	16	34
	30	34

Parts No.	Fig. No.	Ref. No.
114250-03640	2	36
	16	36
	30	36
114250-07090	14	19
	28	19
	41	19
114250-07110	14	20
	28	20
	41	20 A
114250-07250	14	23
	28	23
114250-07260	14	24
	28	24
	41	23
114250-07350	7	22
	14	27
	21	18
	28	27
	34	20
		43
	41	25
114250-11020	2	1
114250-11101	2	3
114250-11113	2	4
114250-11120	2	5
114250-11180	2	6
114250-11240	2	17
		21
	16	17
		21
	30	18
		21
114250-11290	2	9
	16	9
114250-11310	2	32
	14	39
	16	32
	28	39
114250-11340	2	11
	14	37
114250-11460	2	12
	14	38
	16	12
	28	38
	30	14
	41	36
114250-11600	2	14
	16	14
114250-11651	2	15

Parts No.	Fig. No.	Ref. No.
114250-11651	16	15
114250-11900	2	25
	16	25
	30	25
114250-11951	2	33
	16	33
114250-12010	3	1
114250-12200	3	3
	14	40
114250-12210	3	4
	14	41 A
	17	5
	28	42 A
114250-12520	3	8
	17	9
114250-12530	3	9 A
	17	10 A
114250-12550	3	12
	17	13
114250-12560	3	10
	17	11
114250-12580	3	11
	17	12
114250-12980	3	9 B
	17	10 B
114250-13200	3	27
	14	42
	17	29
	28	43
114250-13521	3	28 A
114250-13531	3	29 A
114250-13701	3	30 A
114250-14200	4	4
	18	4
114250-14260	4	6
	18	6
	32	8
114250-14450	4	5
114250-21550	4	23
	18	23
114250-22302	5	13
114250-23200	5	17
	19	17
114250-23220	5	18
	19	18
114250-23250	5	19
	19	19
114250-32010	6	1
	20	1
114250-32070	6	3

## Parts No. Index

Parts No.	Fig. No.	Ref. No.
114250-32070	20	3
	33	3
114250-35060	6	7 A
	20	7 A
	33	7 A
114250-35070	6	7 B
	20	7 B
	33	7 B
114250-35150	1	20
	15	20
	29	25
114250-35250	6	8
	20	8
	33	8
114250-35270	6	9
	14	44
	20	9
	28	45
	33	9
	41	42
114250-45211	7	3
114250-45300	7	4
	21	4
	34	5
114250-45310	7	5
	21	5
	34	6
114250-45330	7	6
	21	7
114250-51080	8	4
	9	4
	22	4
	23	4
	35	3
	36	3
	36	3
114250-51150	8	8
	9	8
	22	8
	23	8
	35	8
	36	8
	36	8
114250-51160	8	9
	9	9
	22	9
	23	9
	35	9
	36	9
114250-51200	8	5
114250-51300	8	10
	9	10

Parts No.	Fig. No.	Ref. No.
114250-51300	22	10
	23	10
114250-51340	8	12
	9	12
	22	12
	23	12
	35	14
	36	14
114250-51600	8	14
	9	14
	22	14
	23	14
	35	16
114250-51640	36	16
	8	15
	9	15
	22	15
	23	15
	35	20
114250-51650	36	20
	8	16
	9	16
	22	16
	23	16
	35	21
114250-53001	36	21
	8	20
	9	20
	9	20
	8	21
	9	21
114250-53080	9	21
	22	21
	23	21
	35	28
	36	28
	36	28
	36	28
114250-53120	8	22
	9	22
	22	22
	23	22
	35	29
	36	29
114250-53130	8	23
	9	23
	22	23
	23	23
	35	30
114250-53140	36	30
	8	24
	9	24
	22	24
114250-53140	22	24
	23	24

Parts No.	Fig. No.	Ref. No.
114250-53140	35	31
	36	31
114250-53210	8	25
	9	25
	22	25
	23	25
	23	25
	35	32
	36	32
	8	26
	9	26
	22	26
114250-53300	23	26
	23	26
	8	28
	9	28
	22	28
	23	28
	35	36
	36	36
	8	29
	9	29
114250-53331	22	29
	23	29
	35	37
	36	37
	36	37
114250-53400	8	29
	9	29
	22	29
114250-53400	23	29
	35	37
	36	37
	10	3
	11	3
	24	3
114250-55041	25	3
	37	4
	38	3
	25	3
	37	4
	38	3
114250-55050	10	4
	11	4
	24	4
	25	4
	37	5
	38	4
114250-55060	10	5
	11	5
	24	5
	25	5
	37	6
	38	5
114250-55100	10	7
	11	7
	24	7
	25	7
	37	8
	38	7
114250-55120	10	13
	11	13
	11	13

Parts No.	Fig. No.	Ref. No.
114250-55130	10	14
	11	14
	24	14
	25	14
114250-55150	37	15
	38	14
	10	8
	11	8
114250-55201	10	12
	11	12
	24	12
	25	12
114250-55211	37	13
	38	12
	10	15
	11	15
	24	15
	25	15
114250-55231	37	16
	38	15
	10	16
	11	16
	10	17
	11	17
114250-55300	24	17
	25	17
	37	18
	38	17
	10	28
	11	28
114250-59050	37	28
	38	27
	10	29
	11	29
	24	29
	25	29
114250-59060	37	31
	38	30
	10	30
	11	30
	6	18
	20	18
114250-59800	33	17
	6	22
	20	22
	33	21
	6	23
	20	23
114250-59810	33	23
	6	23
	6	23
114250-61900	6	18
	20	18
	33	17
114250-66050	6	22
	20	22
	33	21
114250-66200	6	23
	20	23
	33	23
114250-66440	6	25
	6	25

## Parts No. Index

Parts No.	Fig. No.	Ref. No.	
114250-66440	6	31	
		37	
	20	25	
		31	
		37	
	33	27	
		37	
		48	
	114250-66550	6	43
		20	43
114250-76590	7	37	
114250-76600	7	38	
	21	57	
114250-76610	34	61	
	7	39	
	21	58	
	34	62	
114250-76620	7	35 -1	
114250-92101	14	6	
	28	6	
	41	6	
114250-92130	14	7	
	28	7	
	41	7	
114250-92301	14	14	
114250-92311	14	15	
114250-92350	14	16	
114250-92600	14	1	
	28	1	
	41	1	
114252-12010	3	2	
114252-12210	3	5	
	14	41 B	
114252-12550	31	10	
114252-12560	31	9	
114252-12660	3	15	
	17	16	
114252-12700	3	13	
114252-12860	3	19	
114252-55800	10	19	
	11	19	
	24	19	
	25	19	
	37	20	
	38	19	
	114252-66252	6	24
	20	24	
33	24		
114253-77410	12	27	
	13	25	

Parts No.	Fig. No.	Ref. No.
114253-77410	26	27
		25
	39	27
		40
114253-77491	12	28
	26	28
114253-77520	12	30
	26	30
114254-66200	6	33 B
114254-66210	20	33 B
	6	34 B
114254-66220	20	34 B
	6	26
114260-01453	20	26
	1	9 A
114268-07240	14	22
	28	22
	41	22
114268-07260	14	25
	28	25
	28	25
114268-07280	14	26
	28	26
	41	24
114268-07350	14	28
	28	28
	41	26
114268-07360	14	29
	28	29
	41	27
114268-13500	3	28 B
114268-13510	3	29 B
114268-13700	3	30 B
	17	38
114268-13800	3	38
114268-66200	17	40
	33	45
114268-92300	14	13
114270-07050	7	23 B
114350-01200	14	17
	15	1
114350-01210	15	2
114350-01220	15	3
114350-01250	15	4
114350-01340	15	6 A
	28	31 A
114350-01380	15	7
	28	32
114350-01411	15	8 A
	28	33 A
114350-01412	15	8 B

Parts No.	Fig. No.	Ref. No.
114350-01412	28	33 B
114350-01452	15	9 C
114350-01700	1	38
	15	38
	29	3
114350-02100	15	11
114350-02113	15	30
114350-02200	15	40
114350-02210	15	41
114350-11021	16	1
114350-11101	16	3
114350-11113	16	4
114350-11120	16	5
114350-11340	16	11
	28	37
	114350-11470	2
114350-12011	16	13
	30	15
	17	1
114350-12200	17	3
	28	41 A
114350-12201	17	4
	28	41 B
	18	5
114350-14450	19	13
114350-22301	21	6
114350-45320	34	7
	21	8
114350-45340	34	9
	22	5
114350-51200	22	5
114350-53000	22	20
	23	20
114350-55120	24	13
	25	13
114350-55150	24	8
	25	8
114350-55231	24	16
	25	16
	25	16
114350-59800	24	30
114350-76590	25	30
	21	35
114350-76591	56	56
	21	35 -1
	56	-1
114350-92301	28	14
114350-92311	28	15
114350-92350	28	16
114351-77010	12	2
114351-77010	13	2
	26	2

Parts No.	Fig. No.	Ref. No.
114351-77010	27	2
	39	2
	40	2
114351-77500	12	46
	13	26
	26	46
114351-77540	27	26
	39	28
	40	26
114351-77620	13	31
	27	31
	39	33
114351-77630	40	31
	12	53
	13	45
114351-77660	26	53
	27	45
	39	54
114351-77670	40	34
	12	54
	13	46
114351-77700	26	54
	27	46
	39	55
114351-78250	40	35
	12	49
	13	27
114351-78260	26	49
	27	27
	39	29
114351-78290	40	27
	12	36
	26	36
114351-78750	39	41
	12	39
	13	38
114351-78760	26	39
	27	38
	39	44
114351-78770	40	41
	39	47
	12	37
114351-78770	26	37
	39	42
	12	38
114351-78770	26	38
	39	43
	12	40
114351-78770	13	39
	26	40



## Parts No. Index

Parts No.	Fig. No.	Ref. No.
114351-78770	27	39
	39	45
	40	42
114351-78780	12	41
	13	40
	26	41
	27	40
	39	46
	40	43
114351-78830	39	48
114351-78840	39	49
114352-12010	17	2
114352-12210	17	6
	28	42 C
114352-12700	17	14
114352-12720	17	20
114360-01453	15	9 B
114360-45101	21	1
114360-59060	24	28
	25	28
114362-77010	12	1
	13	1
	26	1
	27	1
	39	1
	40	1
114368-01452	15	9
114368-13500	17	36
114368-13510	17	37
114368-92300	28	13
114370-07050	21	19
		42
	28	17 A
114380-23100	19	22 A
114385-77400	12	27 -1
	13	25 -1
	26	27 -1
	27	25 -1
	39	27 -1
	40	25 -1
114450-07050	21	19 A
		42 A
114470-07050	21	19 B
		42 B
114550-01340	29	10 A
	41	29 A
114550-11010	30	1
114554-01451	29	13 B
114570-07050	34	21
		44

Parts No.	Fig. No.	Ref. No.
114570-07050	41	17
114650-01230	29	6
114650-01240	29	7
114650-01250	29	8
114650-01260	29	9
114650-01340	29	10 B
	41	29 B
114650-01380	29	11
	41	30
114650-01411	29	12 A
	41	31 B
114650-01412	29	12 B
	41	31 A
114650-01452	29	13 C
114650-02100	29	15
114650-02150	29	35
114650-02200	29	41
114650-02210	29	42
114650-11010	30	2
114650-11100	30	6
114650-11121	30	8
114650-11261	30	12
114650-11310	30	32
	41	37
114650-11340	30	13
	41	35
114650-11600	30	16
114650-11652	30	17
114650-11950	30	33
114650-11951	30	33 -1
114650-12020	31	1
114650-12210	31	2
	41	39
114650-12300	31	3
	41	38
114650-12520	31	6
114650-12530	31	7
114650-12590	31	8
114650-13200	31	14
	41	40
114650-14200	32	7
114650-14401	32	9
114650-21401	32	37
114650-21402	32	37 -1
114650-21551	32	14
114650-22300	32	62
114650-32010	33	1
114650-45200	34	4
114650-45330	34	8
114650-51100	35	4 A

Parts No.	Fig. No.	Ref. No.
114650-51300	35	10
	36	10
114650-53000	35	25
	36	25
114650-53300	35	33
	36	33
114650-55120	37	14
	38	13
114650-55150	37	9
	38	8
114650-55230	37	17
	38	16
114650-55810	10	20
	11	20
	24	20
	25	20
	37	21
	38	20
114650-59800	37	34
114650-59810	38	33
114650-66150	33	47
114650-66500	33	31
114650-66600	33	43
114650-76520	34	22
		45
114650-76540	34	24
		47
114650-76631	34	33 -1
		56 -1
114650-92300	41	14
114650-92310	41	15
114650-92350	41	16
114651-21592	32	38
114651-21593	32	38 -1
114652-59300	37	29
	38	28
114652-59310	37	32
	38	31
114652-66871	33	49
114652-66881	33	50
114654-11110	30	7
114654-45180	34	3
114654-66140	33	46
114658-13800	31	20
114658-45102	34	2
114660-01470	29	13 A
114660-21401	32	33
114660-21402	32	33 -1
114660-76590	34	37
		60

Parts No.	Fig. No.	Ref. No.
114660-76591	34	37 -1
		60 -1
114660-76592	34	37 -2
		60 -2
114662-21592	32	34
114662-21593	32	34 -1
114668-45102	34	1
114668-92300	41	13
114670-07050	34	21 A
		44 A
	41	18 A
114770-01340	1	6 B
	14	31 B
114770-07050	7	23 C
	14	18
	14	18
114770-13550	3	32
114770-13560	3	33
114770-14100	4	3 E
114770-21200	4	14 E
114770-21220	4	14 G
114770-21400	4	21
114770-21410	4	22
114770-23100	5	22 A
114770-45100	7	2
114770-61600	6	18 -1A
	33	17 -1A
114770-61610	6	18 -1B
	33	17 -1B
114770-66010	6	21
114771-21590	4	26
114780-21400	4	20
114780-45100	7	1
114781-21590	4	24
114870-01340	15	6 B
	28	31 B
114870-07050	21	19 C
		42 C
	28	17 B
114870-11020	16	1 -2
114870-11021	16	1 -1
114870-13550	17	30
114870-13560	17	31
114870-13700	3	34
	17	32
114870-13710	3	35
	17	33
114870-13720	3	36
	17	34
114870-14100	18	3 F
114870-21200	18	13 F

## Parts No. Index

Parts No.	Fig. No.	Ref. No.
114870-21220	18	13 H
114870-21400	18	21
114870-21410	18	22
114870-45100	21	2
114870-45200	21	3
114870-53000	22	20 -1
	23	20 -1
114870-66010	20	21
114870-76520	21	25
114870-76530	21	21 -1
		44 -1
	34	23 -1
		46 -1
114870-76540	21	22 -1
		45 -1
	34	24 -1
		47 -1
114870-76550	21	48
	34	49
114870-76560	21	23 -1
		46 -1
	34	27 -1
		50 -1
114870-76570	21	28
		49
	34	28 -1
		51 -1
114870-76580	21	29
		50
	34	30
		53
114870-76620	21	31 -1
		52 -1
	34	32 -1
		55 -1
114870-76630	21	32 -1
		53 -1
114871-21590	18	26
114873-76450	21	26
114880-21400	18	20
114880-76520	21	20 -1
		43 -1
	34	22 -1
		45 -1
114880-76550	21	27
	34	26
114881-21590	18	24
114970-01340	29	10 C
	41	29 C
114970-07050	34	21 B

Parts No.	Fig. No.	Ref. No.
114970-07050	34	44 B
	41	18 B
114970-13550	31	15
114970-13560	31	17
114970-13700	31	18
114970-13710	31	19
114970-51100	35	4 B
114970-66010	33	20
118200-23200	19	17 -1
119260-11370	2	23
		24
119265-23200	5	17 -1
119620-11180	30	9
119660-77710	13	33
	27	33
	39	35
	40	33
121450-61520	6	16
	20	16
	33	16
121750-59890	37	33
	38	32
122710-01220	32	13
124060-23100	32	66
124550-51350	8	13
	9	13
	22	13
	23	13
	35	15
	36	15
124722-59050	10	9
		27
	11	9
		27
	24	9
		27
	25	9
		27
	37	10
		30
	38	9
		29
124950-01250	1	5
129100-61850	2	38
	16	38
	30	38
129792-22400	32	63
135210-61090	6	20
	20	20
	33	19

Parts No.	Fig. No.	Ref. No.
145610-83880	32	10
160110-01870	1	19
	15	19
	29	24
160110-02220	1	31
	15	31
		32
160120-76940	7	7
	21	10
	34	11
160210-02220	1	32
160260-01580	31	16
160260-76520	7	24
160260-76530	7	25
160260-76540	7	26
160260-76550	7	27
160260-76560	7	28
160260-76570	7	30
160260-76580	7	31
160260-76590	7	32
160260-76600	7	33
160260-76620	7	35
160260-76630	7	36
160290-76570	7	29
160310-14550	4	19
	18	18
160330-92730	14	2
	28	2
	41	2
160642-21150	4	16
160642-21250	4	17
160710-01760	1	13
160710-78710	12	42
	13	41
	26	42
	27	41
	39	50
	40	44
160725-78350	6	45
	20	45
	33	53
160810-76520	21	20
		43
160810-76530	21	44
160810-76540	21	22
		45
160810-76560	21	46
160810-76580	21	24
		47
160810-76620	21	31

Parts No.	Fig. No.	Ref. No.	
160810-76620	21	52	
160810-76630	21	32	
		53	
160820-12300	3	14	
		17	15
160820-12770	3	17	
		17	18
160820-12780	3	18	
		17	19
160840-76530	21	21	
160840-76560	21	23	
160842-21150	18	15	
	32	30	
160842-21250	18	16	
		32	31
160842-21260	18	19	
		32	32
160910-01740	15	13	
	29	17	
160910-76530	34	23	
		46	
160910-76550	34	25	
		48	
160910-76560	34	27	
		50	
160910-76570	34	28	
		51	
160910-76580	34	29	
		52	
160910-76620	34	32	
		55	
160910-76630	34	33	
		56	
160910-76650	34	34	
		57	
160970-77350	12	25	
	26	25	
	39	25	
181130-76680	21	33	
		54	
181130-76700	21	34	
		55	
183250-07110	41	20 B	
183250-07120	7	23 D	
183250-07230	14	21	
	28	21	
	41	21	
183250-39450	1	21 A	
	15	21 A	
	29	26	

## Parts No. Index

Parts No.	Fig. No.	Ref. No.
183250-51400	9	5
183250-66050	6	34 A
	20	34 A
	33	34
183250-66070	6	35
	20	35
	33	35
183250-66100	6	36
	20	36
	33	36
183250-66500	6	33 A
	20	33 A
	33	33
183279-08350	29	27
183350-07120	21	19 D
		42 D
183350-51400	23	5
183350-77400	12	26
	26	26
	39	26
183550-07120	34	21 C
		44 C
183650-07120	34	21 D
		44 D
183650-51400	36	4 A
183720-55210	21	9
	34	10
183986-51400	36	4 B
22117-060000	10	21
	11	21
	24	21
	25	21
	37	22
	38	21
22117-080000	10	22
	11	22
	24	22
	25	22
	37	23
	38	22
22137-080000	6	19
	20	19
	33	18
22217-060000	34	35
		58
22217-080000	3	21
	17	23
22252-000190	5	14
22252-000210	19	14
22312-030080	5	20

Parts No.	Fig. No.	Ref. No.
22312-030080	19	20
22312-030160	2	37
	6	5
	16	37
	20	5
	30	37
	33	5
22312-080120	1	22
	15	22
	29	28
22351-020006	8	17
	9	17
	22	17
	23	17
	35	22
	36	22
22351-030008	8	18
	9	18
	22	18
	23	18
	35	23
	36	23
22351-040008	2	26
	16	26
	30	26
22451-060000	6	46
	20	46
	33	54
22512-040120	4	15
	18	14
22512-050140	32	41
22512-050300	4	7
22512-070140	32	42
22512-070360	18	7
	32	11
23414-120000	10	10
	11	10
	24	10
	25	10
	37	11
	38	10
23871-010000	1	21 B
	15	21 B
	29	29
23887-120002	10	11
	11	11
	24	11
	25	11
	37	12
	38	11

Parts No.	Fig. No.	Ref. No.
24101-062024	4	30
	18	30
24101-062034	32	78
24101-062050	1	33
24101-062060	15	33
24101-062070	29	36
24162-152112	1	34
	15	34
	29	37
24311-000180	1	14
	14	34
	15	14
	28	34
	29	19
	41	32
24341-000150	10	18
	11	18
	24	18
	25	18
	37	19
	38	18
24341-000224	6	10
	20	10
	33	10
24423-355008	29	38
26023-040102	12	31
	13	34
	26	31
	27	34
	39	36
	40	37
26106-060082	3	31
		37
	7	40
	17	35
		39
	21	59
	34	12
		63
26106-060122	3	39
	6	11 A
	7	41
	12	32
		34 -1
	13	36 -1
	17	41
	20	11 A
	21	60
	26	32
		34 -1

Parts No.	Fig. No.	Ref. No.
26106-060122	27	36 -1
	33	11 A
		55
	34	64
		64 -1
	39	37
		39 -1
	40	39 -1
26106-060162	6	11 B
	20	11 B
	33	11 B
26106-060202	6	47
	12	33
	13	35
	20	47
	26	33
	27	35
	33	56
	39	38
	40	38
26106-060252	1	23
	3	22
	12	34
	13	36
	17	24
	26	34
	27	36
	31	11
	39	39
	40	39
26106-060302	33	57
26106-060452	6	48
	20	48
	33	58
26106-060552	2	39
	16	39
26106-060702	12	55
	13	47
	26	55
	27	47
	30	39
	39	56
	40	36
26106-080122	1	35
	15	35
	29	39
26106-080162	31	21
26106-080202	4	8
	18	8
	32	43

## Parts No. Index

Parts No.	Fig. No.	Ref. No.	
26106-080352	1	24	
	15	24	
	29	30	
26106-080452	2	27	
	10	23	
	11	23	
	16	27	
	24	23	
	25	23	
	37	24	
	38	23	
26106-100122	1	39	
	15	39	
	29	4	
26106-100252	32	12	
26106-100302	12	35	
	13	37	
	26	35	
	27	37	
	39	40	
	40	40	
	26106-100552	30	27
	26116-040088	6	49
20		49	
33		59	
26116-060454	14	9	
	28	9	
	41	9	
26116-080454	14	10	
	28	10	
	41	10	
26216-080182	2	28	
	3	23	
	16	28	
	17	25	
26226-060142	3	24	
	17	26	
	31	12	
26226-060182	1	25	
	15	25	
	29	31	
26226-060222	1	26	
	15	26	
	29	32	
26226-060502	2	29	
	16	29	
	30	28	
26226-060552	2	30	
	16	30	
	30	29	

Parts No.	Fig. No.	Ref. No.
26226-080202	30	30
26346-060002	6	50
	20	50
	33	60
	1	27
26366-060002	2	31
	3	25
	10	24
	11	24
	15	27
	16	31
	17	27
	24	24
	25	24
	29	33
26366-080002	30	31
	31	13
	37	25
	38	24
	3	40
	17	42
	31	22
26476-060142	6	6
	51	8
	7	8
	10	25
	11	25
	12	43
26476-060202	13	42
	20	6
	51	51
	24	25
	25	25
	26	43
	27	42
	33	6
	61	61
	37	26
26476-060202	38	25
	39	51
	40	45
	12	44
	13	43
	21	11
	26	44
	27	43
	33	62
	34	13
26476-060202	39	52
	40	46

Parts No.	Fig. No.	Ref. No.
26476-060252	7	9
	21	12
	34	14
	12	45
26577-060142	13	44
	26	45
	27	44
	39	53
	40	47
26696-100002	6	41
	52	52
	20	41
	52	52
	33	41
	63	63
26716-060002	14	11
	28	11
	41	11
26716-080002	3	26
	14	12
	17	28
	28	12
	41	12
26717-060002	34	36
	59	59
	2	18
26756-060002	22	22
	6	32
	42	42
	16	18
26757-060002	22	22
	20	32
	42	42
	30	19
	22	22
27310-060001	33	29
	42	42
	64	64
27310-070001	16	7
	30	10
28110-100120	14	3
	28	3
	41	3
	14	4
	28	4
28210-000150	41	4
	14	5
	28	5
29220-083200	41	5
	12	50

Parts No.	Fig. No.	Ref. No.
29220-083200	13	28
	26	50
	27	28
	39	30
	40	28
29411-150000	12	29
	13	32
	26	29
	27	32
	39	34
	40	32
43400-500490	1	28
	14	36
	15	28
	28	36
	29	40
714250-11570	41	34
	2	7
	3	6 A
714250-12560	17	7 A
	5	3 A
714250-22502	5	3 A
714250-22542	5	7 A
714250-22550	5	11 A
714250-23600	5	21
714250-23610	5	23
714250-23620	5	25
714250-23703	5	15
714250-51710	8	1
714250-53101	8	19
	9	19
714250-55711	10	1 A
714250-61500	6	12
714250-76820	7	17
714250-76821	7	17 -1
714250-76830	7	19
714250-76831	7	19 -1
714258-55701	10	1 D
714260-76820	7	16
714260-76821	7	16 -1
714260-76830	7	18
714260-76831	7	18 -1
714268-12581	3	6 B
	17	7 B
714268-55701	11	1
714268-55721	10	1 B
714268-55751	10	1 C
714268-66500	6	27
	20	27
	33	25
714270-11660	2	19

## Parts No. Index

Parts No.	Fig. No.	Ref. No.
714270-22580	5	9 C
714270-22620	5	5 C
714270-22720	5	1 C
714270-92600	14	30 A
714271-01560	1	36 A
714278-21710	4	13
714280-22580	5	9 A
714280-22620	5	5 A
714280-22720	5	1 A
714288-21700	4	9
714288-21730	4	10
714288-21740	4	11
714288-21760	4	12
714350-22502	19	3 A
714350-22542	19	7 A
714350-22550	19	11 A
714350-23600	19	21
714350-23610	19	23
714350-23620	19	25
714350-23704	19	15
714350-51710	22	1 A
714350-53100	22	19
	23	19
714350-55711	24	1 A
714350-61500	20	12
714358-55701	24	1 D
714368-55701	25	1
714368-55721	24	1 B
714368-55750	24	1 C
714370-11660	16	19
714370-22580	19	9 C
714370-22620	19	5 C
714370-22720	19	1 C
714370-92600	28	30 A
714371-01560	15	36 A
714378-21710	18	13
714380-22580	19	9 A
714380-22620	19	5 A
714380-22720	19	1 A
714380-23600	19	21 -1
714380-23610	19	23 -1
714380-23620	19	25 -1
714380-23700	19	15 -1
714388-21700	18	9
714388-21730	18	10
714388-21740	18	11
714388-21760	18	12
714550-22502	32	46
714550-22542	32	52
714550-22550	32	58

Parts No.	Fig. No.	Ref. No.
714550-22580	32	56 C
714550-22624	32	50 C
714550-22723	32	44 C
714550-51700	35	1 A
714560-22580	32	56
714560-22624	32	50
714560-22723	32	44
714569-55701	37	1
714571-01560	29	1 A
714589-92600	41	28 A
714650-12560	31	4
714650-22502	32	46 A
714650-22542	32	52 A
714650-22550	32	58 A
714650-22580	32	56 D
714650-22624	32	50 D
714650-22723	32	44 D
714650-23600	32	68
714650-23610	32	70
714650-23620	32	72
714650-23700	32	64
714650-51700	35	1 B
714650-53100	35	24
	36	24
714650-61500	33	12
714650-76820	34	40
714650-76821	34	40 -1
714650-76831	34	41
714650-76832	34	41 -1
714660-22580	32	56 A
714660-22624	32	50 A
714660-22723	32	44 A
714660-76820	34	17
714660-76821	34	17 -1
714660-76831	34	18
714660-76832	34	18 -1
714668-55700	38	1
714668-55721	37	2
714670-11660	30	20
714671-01560	29	1 B
714679-14580	32	2
714679-21710	32	19
714689-14580	32	1
714689-21700	32	15
714689-21720	32	16
714689-21730	32	17
714689-21760	32	18
714689-28510	32	74
714689-92600	41	28 B
714770-14580	4	2

Parts No.	Fig. No.	Ref. No.
714770-22500	5	3 B
714770-22540	5	7 B
714770-22550	5	11 B
714770-22580	5	9 D
714770-22620	5	5 D
714770-22720	5	1 D
714770-23600	5	21 -1
714770-23610	5	23 -1
714770-23620	5	25 -1
714770-23700	5	15 -1
714770-28510	4	28
714770-51700	8	2
714770-51740	9	2
714770-61700	6	14
	20	14
714770-92600	14	30 B
714771-01560	1	36 B
714780-14580	4	1
714780-22580	5	9 B
714780-22620	5	5 B
714780-22720	5	1 B
714870-14580	18	2
714870-22500	19	3 B
714870-22540	19	7 B
714870-22550	19	11 B
714870-22580	19	9 D
714870-22620	19	5 D
714870-22720	19	1 D
714870-28510	18	28
714870-51700	22	1 B
714870-51740	23	2
714870-53100	22	19 -1
	23	19 -1
714870-76820	21	38
714870-76821	21	38 -1
714870-76830	21	39
714870-76831	21	39 -1
714870-92600	28	30 B
714871-01560	15	36 B
714880-14580	18	1
714880-22580	19	9 B
714880-22620	19	5 B
714880-22720	19	1 B
714880-76820	21	15
714880-76821	21	15 -1
714880-76830	21	16
714880-76831	21	16 -1
714970-01560	29	1 C
714970-22500	32	46 B
714970-22540	32	52 B

Parts No.	Fig. No.	Ref. No.
714970-22550	32	58 B
714970-22580	32	56 E
714970-22620	32	50 E
714970-22720	32	44 E
714970-51700	35	1 C
714970-61700	33	14
714970-92600	41	28 C
714980-22580	32	56 B
714980-22620	32	50 B
714980-22720	32	44 B
783250-51740	9	1
783350-51740	23	1
783550-51740	36	1 A
783650-51740	36	1 B
783986-51740	36	1 C
X211412105	12	7
	13	7
	26	7
	27	7
	39	7
	40	7
X211416603	12	17
	13	17
	26	17
	27	17
	39	17
	40	17
X211427501	12	21
	13	21
	26	21
	27	21
	39	21
	40	21
X21142835	12	24
	13	24
	26	24
	27	24
	39	24
	40	24
X21143215	12	9
	13	9
	26	9
	27	9
	39	9
	40	9
X211445504	12	16
	13	16
	26	16
	27	16
	39	16

## Parts No. Index

Parts No.	Fig. No.	Ref. No.	
X211445504	40	16	
X211445508	12	15	
	13	15	
	26	15	
	27	15	
	39	15	
	40	15	
	X21145312	12	8
	13	8	
	26	8	
	27	8	
	39	8	
	40	8	
	X21145352	12	11
			18
13		11	
		18	
26		11	
		18	
27		11	
		18	
39		11	
		18	
40		11	
X211456013		18	
	12	20	
	13	20	
	26	20	
	27	20	
	39	20	
X21145867	40	20	
	12	23	
	13	23	
	26	23	
	27	23	
	39	23	
X211461008	40	23	
	12	4	
	13	4	
	26	4	
	27	4	
	39	4	
X211461104	40	4	
	12	3	
	13	3	
	26	3	
	27	3	
	39	3	
X211468005	40	3	
	12	22	

Parts No.	Fig. No.	Ref. No.	
X211468005	13	22	
	26	22	
	27	22	
	39	22	
	40	22	
	X21147155	12	6
	13	6	
	26	6	
	27	6	
	39	6	
	40	6	
	X211473002	12	10
	13	10	
	26	10	
	27	10	
	39	10	
	40	10	
	X211478006	12	19
	13	19	
	26	19	
	27	19	
	39	19	
	40	19	
	X21148110	12	5
		13	5
26		5	
27		5	
39		5	
40		5	
X21148313	12	13	
	13	13	
	26	13	
	27	13	
	39	13	
	40	13	
X211489001	12	12	
	13	12	
	26	12	
	27	12	
	39	12	
	40	12	
X21149314	12	14	
	13	14	
	26	14	
	27	14	
	39	14	
	40	14	

Parts No.	Fig. No.	Ref. No.
-----------	----------	----------

Parts No.	Fig. No.	Ref. No.
-----------	----------	----------