

0CW10-M63200EN

# P R E F A C E

1. This parts catalog is the 1st edition of L70N6CA1F1AABR for EP BARRUS.

Pub.No. : 0CW10-G63200

Published : September, 2010

2. Model name

| Engine model   | Vehicle  | Vehicle made by |
|----------------|----------|-----------------|
| L70N6CA1F1AABR | AIR PUMP | EP BARRUS       |

## Directions for the Parts Catalog.

1. The parts stipulated in this Parts Catalog are not necessarily standard equipped parts.
2. Parts may change without prior notice.
3. The following is an example of the Parts Catalog format.

| OCF10-G21601 |      | 29. FUEL INJECTION PUMP(W/BOOST) |                     |            |            |            |     |     |     |   |   |
|--------------|------|----------------------------------|---------------------|------------|------------|------------|-----|-----|-----|---|---|
| REF.         | LEV. | PARTS NO.                        | DESCRIPTION         | (A)        | (B)        | (C)        | (D) | (E) | (F) | I | R |
| 1            | 1    | 729595-51390                     | FUEL INJECTION PUMP | 1          | 1          | 1          | 1   | 1   |     |   | 1 |
| 1-1          | 1    | 729595-51391                     | FUEL INJECTION PUMP | 1          | 1          | 1          | 1   | 1   |     | N | 1 |
|              |      | (A=E00185)                       | (B=E00200)          |            |            |            |     |     |     |   |   |
| 3            | 2    | 26022-060162                     | SCREW M 6X 16       | 9          | 9          | 9          | 9   | 9   |     |   |   |
| 3-1          | 2    | 26022-060162                     | SCREW M 6X 16       | 4          | 4          | 4          | 4   | 4   |     | K |   |
|              |      | (A=E00156)                       | (B=E00156)          | (C=E00156) | (D=E00156) | (E=E00156) |     |     |     |   |   |
| 4            | 2    | 129470-51040                     | CAMSHAFT            | 1          | 1          | 1          | 1   | 1   |     |   |   |
| 5            | 2    | 122710-51050                     | BEARING, ROLLER     | 2          | 2          | 2          | 2   | 2   |     |   |   |
| 6            | 2    | 129470-51060                     | RETAINER            | 1          | 1          | 1          | 1   | 1   |     |   |   |

|   |
|---|
| Remarks   |
| (1) BOOST COMPEMSATOR TYPE. OPTIONAL PART, TO E00155,(4JH-DT, 4JH-DTZ |

### ① Ref. No.

The Ref. No. listed may not be in accordance with the illustration Ref. No.

(Ex.) Illustration No.

List Ref No.

1

1

(Before change)

1-1

(After change)

For interchangeable symbols N, R and K, illustrations for new parts may be abbreviated.

### ② Lev. (Level)

Level indication

The numbers below indicate the level of relativity towards the main part.

1 ----- Main parts (Assembly parts)

2 ----- Sub component included in " 1 ".

3 ----- Sub component included in " 2 ".

Note) Parts that are not for sale are partially illustrated but not listed.

### ③ Interchangeability Mark

When a part change takes place, one of the following interchangeability symbols is indicated beside the part.

| Symbol | Interchangeability  | Contents note  |
|--------|---|--|
| N      | Old $\begin{matrix} \leftarrow \text{Yes} \\ \text{No} \rightarrow \end{matrix}$ New  | New Part is interchangeable for Old Part but Old Part is not interchangeable for New Part. |
| Q      | Old $\begin{matrix} \leftarrow \text{No} \\ \text{Yes} \rightarrow \end{matrix}$ New  | New Part is not interchangeable for Old Part but Old Part is interchangeable for New Part. |
| R      | Old $\begin{matrix} \leftarrow \text{Yes} \\ \text{Yes} \rightarrow \end{matrix}$ New | New/ Old Parts are both interchangeable.   |
| S      | Old $\begin{matrix} \leftarrow \text{No} \\ \text{No} \rightarrow \end{matrix}$ New   | New/ Old Parts are both not interchangeable.   |
| W      |   | Part newly added.  |
| Z      |   | Part discontinued.   |
| F      |   | Not interchangeable by a single part but interchangeable together with related parts.      |
| K      |   | Changes only for used parts quantities.  |

### ④ Effective Machine No.

When a part changes, the effective Machine No. will be indicated in the (A)-(F) column.

| Product Symbol | Product No.               | Product Symbol | Product No.                       |
|----------------|---------------------------|----------------|-----------------------------------|
| C              | Clutch No. Compressor No. | F              | Machine No. (Agricultural Equip.) |
| D              | Drive No.                 | M              | Machine No.                       |
| E              | Engine No.                |                |                                   |

Note 1) A date may follow the symbol. (Ex.) 1996.01

Note 2) "XXXXX" and "ZZZZZ" are for parts that could not be predicted or for engine models that could not be identified.

Note 3) (A=E00185) is the E (Engine Serial Number) for the column (A) model (in this case 4JH-DT) after the parts design change.

### ⑤ Remarks Mark

Figures or alphabets (symbols) are entered in the remarks column.

The comments (remarks) on parts that are indicated at the bottom of the illustration are the same symbols as those stated above.

# Contents

0CW10-M63200

Fig. No. Fig. Name

L70N6CA1F1AABR

1. CYLINDER BLOCK
2. CYLINDER HEAD & BONNET
3. AIR CLEANER & MUFFLER
4. CRANKSHAFT, PISTON & CAMSHAFT
5. LUB.OIL PUMP & GOVERNOR
6. COOLING & STARTING DEVICE
7. F.I.PUMP & F.I.VALVE
8. FUEL TANK & FUEL PIPE
9. STARTING MOTOR & DYNAMO
10. TOOL,LABEL & GASKET SET

Fig. No. Fig. Name

Fig.1. CYLINDER BLOCK

(A)=L70N6CA1F1AABR

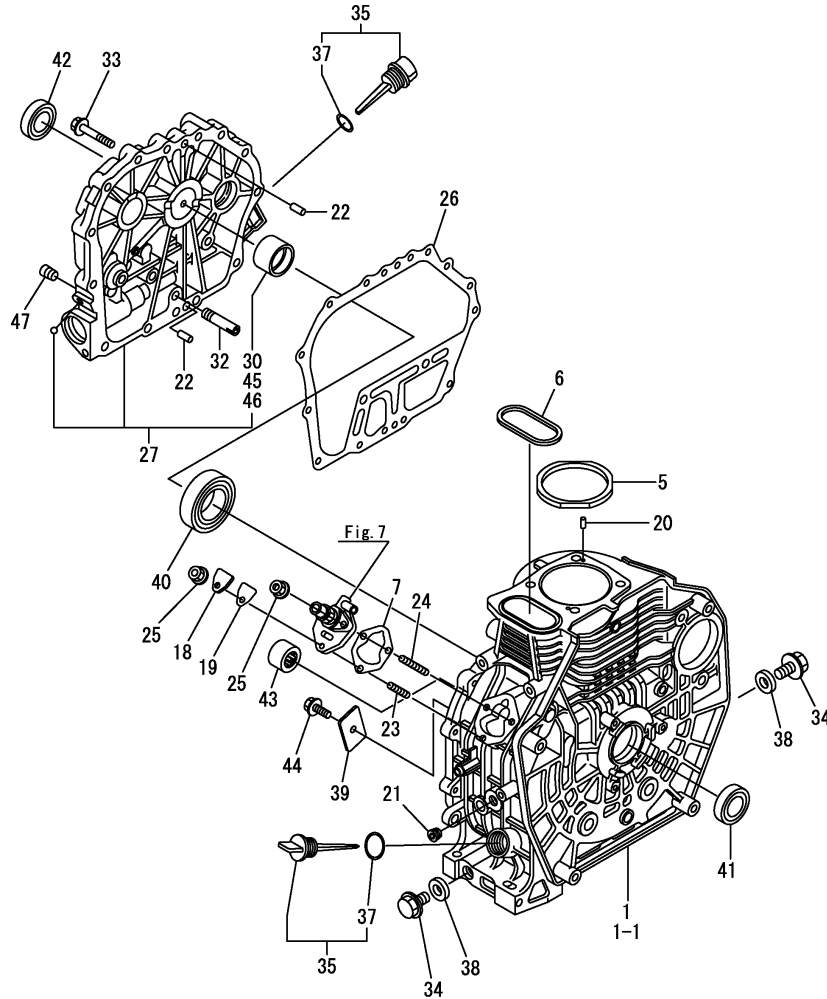
(B)=

(C)=

(D)=

(E)=

(F)=



| No.         | Lev. | Parts No.    | Description          | Q'ty |     |     |     |     |     | I | R |
|-------------|------|--------------|----------------------|------|-----|-----|-----|-----|-----|---|---|
|             |      |              |                      | (A)  | (B) | (C) | (D) | (E) | (F) |   |   |
| 1           | 1    | 114210-01020 | BLOCK ASSY, CYLINDER | 1    |     |     |     |     |     |   |   |
| 1-1         | 1    | 1142A0-01010 | BLOCK ASSY, CYLINDER | 1    |     |     |     |     |     |   | S |
| (A=ES62792) |      |              |                      |      |     |     |     |     |     |   |   |
| 5           | 1    | 114395-01341 | GASKET, HEAD 0.5     | 1    |     |     |     |     |     |   |   |
| 6           | 1    | 114399-01380 | O-RING, TAPPET       | 1    |     |     |     |     |     |   |   |
| 7           | 1    | 114299-01800 | SHIM SET, PUMP       | 1    |     |     |     |     |     |   |   |
| 18          | 1    | 114299-01830 | COVER, PUMP          | 1    |     |     |     |     |     |   |   |
| 19          | 1    | 114250-01841 | GASKET, COVER        | 1    |     |     |     |     |     |   |   |
| 20          | 1    | 22312-040080 | PIN, PARALLEL M4X 8  | 2    |     |     |     |     |     |   |   |
| 21          | 1    | 23875-020000 | PLUG, R02            | 1    |     |     |     |     |     |   |   |
| 22          | 1    | 114299-01600 | PIN, PARALLEL 8X12   | 2    |     |     |     |     |     |   |   |
| 23          | 1    | 26226-060182 | STUD, M6X 18         | 1    |     |     |     |     |     |   |   |
| 24          | 1    | 26226-060222 | STUD, M6X 22         | 2    |     |     |     |     |     |   |   |
| 25          | 1    | 26366-060002 | NUT, M6              | 3    |     |     |     |     |     |   |   |
| 26          | 1    | 114399-01410 | GASKET, CASE COVER   | 1    |     |     |     |     |     |   |   |
| 27          | 1    | 114210-01450 | COVER, CRANK CASE    | 1    |     |     |     |     |     |   |   |
| 30          | 2    | 114350-02100 | METAL, MAIN          | 1    |     |     |     |     |     |   | 1 |
| 32          | 1    | 114299-35150 | PIPE, OIL INLET      | 1    |     |     |     |     |     |   |   |
| 33          | 1    | 26106-080352 | BOLT, M8X 35 PLATED  | 15   |     |     |     |     |     |   |   |
| 34          | 1    | 114299-01690 | PLUG, DRAIN 16       | 2    |     |     |     |     |     |   |   |
| 35          | 1    | 114699-01760 | CAP ASSY, OIL SUPPLY | 2    |     |     |     |     |     |   |   |
| 37          | 2    | 114299-01950 | O-RING, 18           | 2    |     |     |     |     |     |   |   |
| 38          | 1    | 22190-160002 | WASHER, SEAL 16      | 2    |     |     |     |     |     |   |   |
| 39          | 1    | 114299-02030 | RETAINER, BEARING    | 1    |     |     |     |     |     |   |   |
| 40          | 1    | 114350-02113 | BEARING, B35-135G3C3 | 1    |     |     |     |     |     |   |   |
| 41          | 1    | 160110-02220 | SEAL, OIL 30X45X8    | 1    |     |     |     |     |     |   |   |
| 42          | 1    | 160110-02220 | SEAL, OIL 30X45X8    | 1    |     |     |     |     |     |   |   |
| 43          | 1    | 24162-152116 | BEARING, 152116      | 1    |     |     |     |     |     |   |   |
| 44          | 1    | 26106-080122 | BOLT, M8X 12 PLATED  | 1    |     |     |     |     |     |   |   |
| 45          | 1    | 114350-02200 | METAL, MAIN 0.25 US  | 1    |     |     |     |     |     |   | 2 |
| 46          | 1    | 114350-02210 | METAL, MAIN 0.50 US  | 1    |     |     |     |     |     |   | 3 |
| 47          | 1    | 23876-010000 | PLUG, R01            | 1    |     |     |     |     |     |   |   |

Remarks

- (1) Repair parts.
- (2) Under sized(U.S.=0.25)parts.
- (3) Under sized(U.S.=0.50)parts.

Fig.2. CYLINDER HEAD & BONNET

(A)=L70N6CA1F1AABR

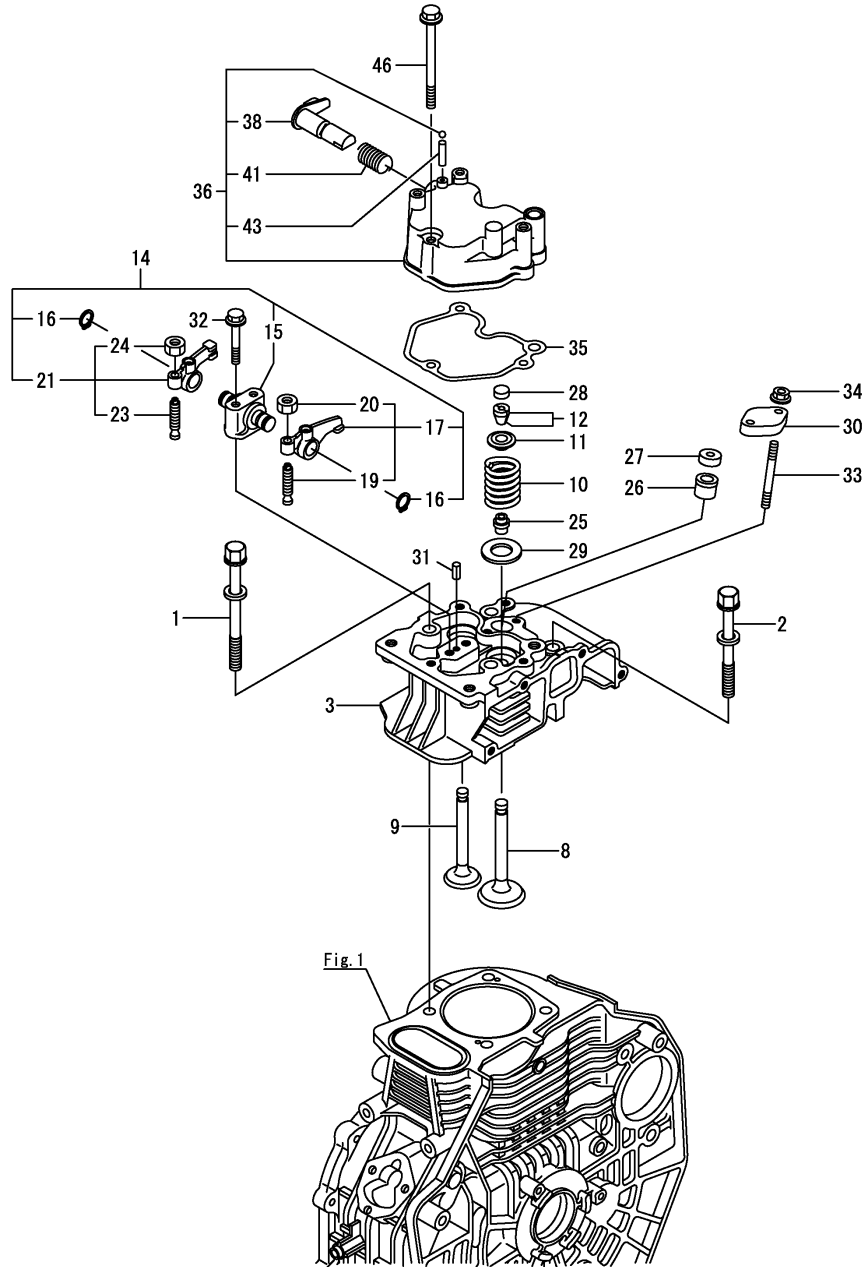
(B)=

(C)=

(D)=

(E)=

(F)=

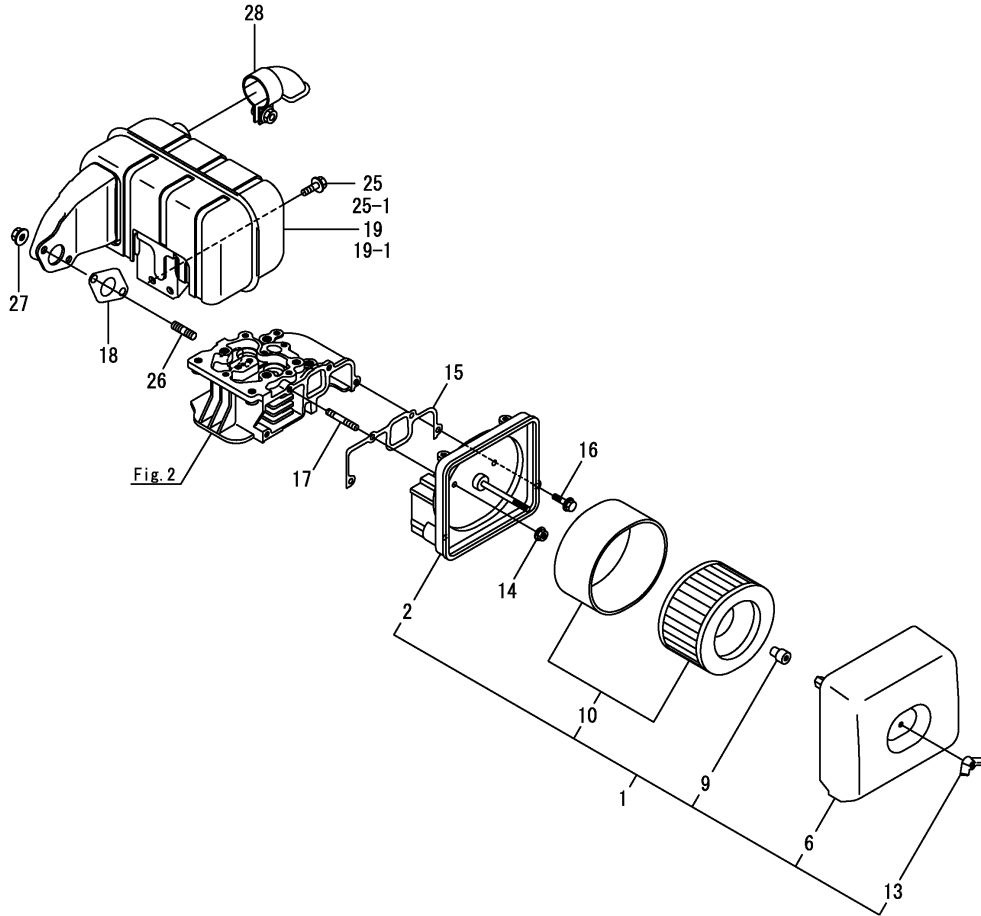


| No. | Lev. | Parts No.    | Description          | Q'ty |     |     |     |     |     | I | R |
|-----|------|--------------|----------------------|------|-----|-----|-----|-----|-----|---|---|
|     |      |              |                      | (A)  | (B) | (C) | (D) | (E) | (F) |   |   |
| 1   | 1    | 114210-01200 | BOLT, CYL.HEAD A     | 2    |     |     |     |     |     |   |   |
| 2   | 1    | 114210-01210 | BOLT, CYL.HEAD B     | 2    |     |     |     |     |     |   |   |
| 3   | 1    | 114220-11020 | HEAD ASSY, CYLINDER  | 1    |     |     |     |     |     |   |   |
| 8   | 1    | 11421C-11100 | VALVE, INTAKE        | 1    |     |     |     |     |     |   |   |
| 9   | 1    | 11421C-11110 | VALVE, EXHAUST       | 1    |     |     |     |     |     |   |   |
| 10  | 1    | 114210-11120 | SPRING, VALVE        | 2    |     |     |     |     |     |   |   |
| 11  | 1    | 114210-11180 | RETAINER, SPRING     | 2    |     |     |     |     |     |   |   |
| 12  | 1    | 114210-11930 | COTTER ASSY          | 2    |     |     |     |     |     |   |   |
| 14  | 1    | 11421C-11250 | SUPPORT ASSY, ARM    | 1    |     |     |     |     |     |   |   |
| 15  | 2    | 11421C-11260 | SUPPORT, ROCKER ARM  | 1    |     |     |     |     |     |   |   |
| 16  | 2    | 22242-000120 | RING, 12             | 2    |     |     |     |     |     |   |   |
| 17  | 2    | 11421C-11650 | ARM ASSY, ROCKER     | 1    |     |     |     |     |     |   |   |
| 19  | 3    | 114250-11240 | SCREW, VALVE ADJUST  | 1    |     |     |     |     |     |   |   |
| 20  | 3    | 26856-060002 | NUT, M6              | 1    |     |     |     |     |     |   |   |
| 21  | 2    | 11421C-11660 | ARM ASSY, ROCKER     | 1    |     |     |     |     |     |   |   |
| 23  | 3    | 114250-11240 | SCREW, VALVE ADJUST  | 1    |     |     |     |     |     |   |   |
| 24  | 3    | 26856-060002 | NUT, M6              | 1    |     |     |     |     |     |   |   |
| 25  | 1    | 114350-11340 | SEAL, VALVE STEM     | 2    |     |     |     |     |     |   |   |
| 26  | 1    | 114240-11450 | PROTECTOR, NOZZLE    | 1    |     |     |     |     |     |   |   |
| 27  | 1    | 114240-11550 | SEAT, NOZZLE         | 1    |     |     |     |     |     |   |   |
| 28  | 1    | 105010-11490 | CAP, VALVE           | 2    |     |     |     |     |     |   |   |
| 29  | 1    | 114299-11600 | WASHER, VALVE SPRING | 2    |     |     |     |     |     |   |   |
| 30  | 1    | 114210-11901 | RETAINER, NOZZLE     | 1    |     |     |     |     |     |   |   |
| 31  | 1    | 22351-040008 | PIN, SPRING 4.0X 8   | 1    |     |     |     |     |     |   |   |
| 32  | 1    | 26106-060402 | BOLT, M6X 40 PLATED  | 2    |     |     |     |     |     |   |   |
| 33  | 1    | 26226-060552 | STUD, M6X 55         | 2    |     |     |     |     |     |   |   |
| 34  | 1    | 26366-060002 | NUT, M6              | 2    |     |     |     |     |     |   |   |
| 35  | 1    | 114210-11310 | GASKET, BONNET       | 1    |     |     |     |     |     |   |   |
| 36  | 1    | 114210-11950 | BONNET ASSY, HEAD    | 1    |     |     |     |     |     |   |   |
| 38  | 2    | 114210-03590 | DECOMPRESSION ASSY   | 1    |     |     |     |     |     |   |   |
| 41  | 2    | 114299-03640 | SPRING,DECOMPRESSION | 1    |     |     |     |     |     |   |   |
| 43  | 2    | 22312-030160 | PIN, PARALLEL M3X16  | 1    |     |     |     |     |     |   |   |
| 46  | 1    | 26106-060552 | BOLT, M6X 55 PLATED  | 3    |     |     |     |     |     |   |   |

Fig.3. AIR CLEANER & MUFFLER

(A)=L70N6CA1F1AABR  
(B)=  
(C)=

(D)=  
(E)=  
(F)=

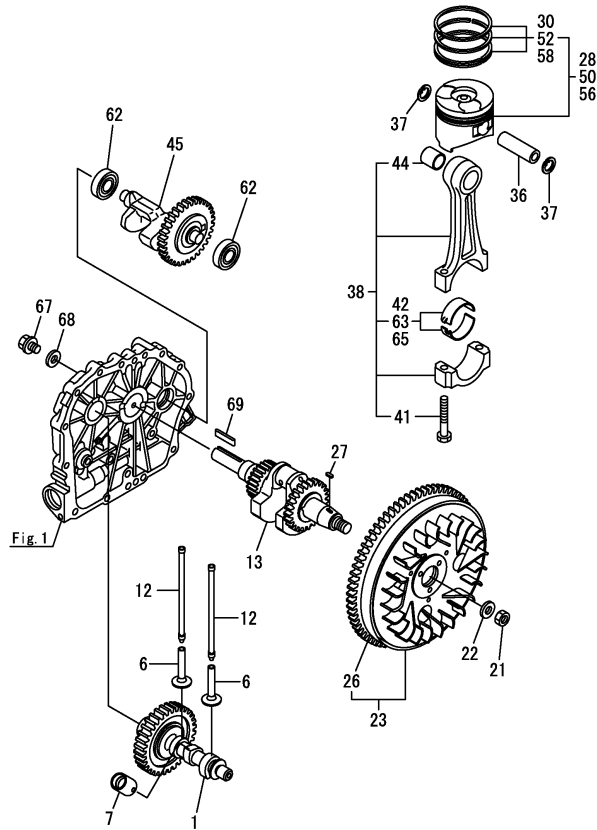


| No.  | Lev. | Parts No.    | Description         | Q'ty |     |     |     |     |     | I | R |
|------|------|--------------|---------------------|------|-----|-----|-----|-----|-----|---|---|
|      |      |              |                     | (A)  | (B) | (C) | (D) | (E) | (F) |   |   |
| 1    | 1    | 114220-12550 | CLEANER ASSY, AIR   | 1    |     |     |     |     |     |   |   |
| 2    | 2    | 114210-12010 | BODY ASSY, CLEANER  | 1    |     |     |     |     |     |   |   |
| 6    | 2    | 114220-12500 | COVER ASSY, CLEANER | 1    |     |     |     |     |     |   |   |
| 9    | 2    | 114210-12560 | NUT, WING           | 1    |     |     |     |     |     |   |   |
| 10   | 2    | 114210-12590 | ELEMENT ASSY        | 1    |     |     |     |     |     |   |   |
| 13   | 2    | 114210-12600 | KNOB                | 1    |     |     |     |     |     |   |   |
| 14   | 1    | 114299-12300 | NUT                 | 3    |     |     |     |     |     |   |   |
| 15   | 1    | 114210-12210 | GASKET, AIR CLEANER | 1    |     |     |     |     |     |   |   |
| 16   | 1    | 26106-060202 | BOLT, M6X 20 PLATED | 1    |     |     |     |     |     |   |   |
| 17   | 1    | 26226-060302 | STUD, M6X 30        | 3    |     |     |     |     |     |   |   |
| 18   | 1    | 114299-13200 | GASKET, MUFFLER     | 1    |     |     |     |     |     |   |   |
| 19   | 1    | 11421C-13500 | MUFFLER ASSY        | 1    |     |     |     |     |     |   |   |
| 19-1 | 1    | 11421C-13510 | MUFFLER ASSY        | 1    |     |     |     |     |     |   | S |
|      |      | (A=ES62792)  |                     |      |     |     |     |     |     |   |   |
| 25   | 1    | 26106-060142 | BOLT, M6X 14 PLATED | 2    |     |     |     |     |     |   |   |
| 25-1 | 1    | 26106-080162 | BOLT, M8X 16 PLATED | 2    |     |     |     |     |     |   | S |
|      |      | (A=ES62792)  |                     |      |     |     |     |     |     |   |   |
| 26   | 1    | 26216-080182 | STUD, M8X 18        | 2    |     |     |     |     |     |   |   |
| 27   | 1    | 26366-080002 | NUT, M8             | 2    |     |     |     |     |     |   |   |
| 28   | 1    | 114299-13800 | EXTENSION ASSY      | 1    |     |     |     |     |     |   |   |

Fig.4. CRANKSHAFT, PISTON & CAMSHAFT

(A)=L70N6CA1F1AABR  
(B)=  
(C)=

(D)=  
(E)=  
(F)=



| No. | Lev. | Parts No.    | Description           | Q'ty |     |     |     |     |     | I | R |
|-----|------|--------------|-----------------------|------|-----|-----|-----|-----|-----|---|---|
|     |      |              |                       | (A)  | (B) | (C) | (D) | (E) | (F) |   |   |
| 1   | 1    | 71422C-14580 | CAMSHAFT ASSY         | 1    |     |     |     |     |     |   |   |
| 6   | 1    | 114210-14200 | TAPPET                | 2    |     |     |     |     |     |   |   |
| 7   | 1    | 114210-14300 | TAPPET ASSY, ROLLER   | 1    |     |     |     |     |     |   |   |
| 12  | 1    | 114210-14400 | ROD ASSY, PUSH        | 2    |     |     |     |     |     |   |   |
| 13  | 1    | 71421C-21030 | CRANKSHAFT ASSY       | 1    |     |     |     |     |     |   |   |
| 21  | 1    | 114299-21220 | NUT                   | 1    |     |     |     |     |     |   |   |
| 22  | 1    | 114299-21550 | WASHER                | 1    |     |     |     |     |     |   |   |
| 23  | 1    | 114399-21590 | FLYWHEEL ASSY         | 1    |     |     |     |     |     |   |   |
| 26  | 2    | 114399-21600 | GEAR, RING            | 1    |     |     |     |     |     |   |   |
| 27  | 1    | 22512-040120 | KEY, 4X 12            | 1    |     |     |     |     |     |   |   |
| 28  | 1    | 714220-22720 | PISTON W/RINGS (D)    | 1    |     |     |     |     |     |   |   |
| 30  | 2    | 714870-22502 | RING SET, PISTON      | 1    |     |     |     |     |     |   |   |
| 36  | 1    | 114399-22300 | PIN, PISTON D=21      | 1    |     |     |     |     |     |   |   |
| 37  | 1    | 22252-000210 | RING, 21              | 2    |     |     |     |     |     |   |   |
| 38  | 1    | 71421C-23010 | ROD ASSY, CONNECTING  | 1    |     |     |     |     |     |   |   |
| 41  | 2    | 118200-23200 | BOLT, CONNECTING ROD  | 2    |     |     |     |     |     |   |   |
| 42  | 2    | 114210-23600 | BEARING, CRANK PIN    | 1    |     |     |     |     |     |   |   |
| 44  | 2    | 114380-23100 | BEARING, PISTON PIN   | 1    |     |     |     |     |     |   |   |
| 45  | 1    | 714210-28510 | SHAFT ASSY, BALANCER  | 1    |     |     |     |     |     |   |   |
| 50  | 1    | 714220-22620 | PISTON W/RING .25OS   | 1    |     |     |     |     |     |   | 1 |
| 52  | 2    | 714870-22542 | RING SET, 0.25 OS     | 1    |     |     |     |     |     |   | 1 |
| 56  | 1    | 714220-22580 | PISTON W/RING .50OS   | 1    |     |     |     |     |     |   | 2 |
| 58  | 2    | 714870-22552 | RING SET, 0.50 OS     | 1    |     |     |     |     |     |   | 2 |
| 62  | 1    | 114210-28050 | BEARING, 6203 C0L     | 2    |     |     |     |     |     |   |   |
| 63  | 1    | 114210-23610 | BEARING,PIN(U.S.=0.25 | 1    |     |     |     |     |     |   | 3 |
| 65  | 1    | 114210-23620 | BEARING,PIN(U.S.=0.50 | 1    |     |     |     |     |     |   | 4 |
| 67  | 1    | 160842-21250 | BOLT, 7/16-20UNF      | 1    |     |     |     |     |     |   |   |
| 68  | 1    | 160842-21260 | WASHER                | 1    |     |     |     |     |     |   |   |
| 69  | 1    | 160842-21150 | KEY, 6.3X50           | 1    |     |     |     |     |     |   |   |

Remarks

- (1) Over sized(O.S.=0.25)parts.
- (2) Over sized(O.S.=0.50)parts.
- (3) Under sized(U.S.=0.25)parts.
- (4) Under sized(U.S.=0.50)parts.



Fig.5. LUB.OIL PUMP & GOVERNOR

(A)=L70N6CA1F1AABR

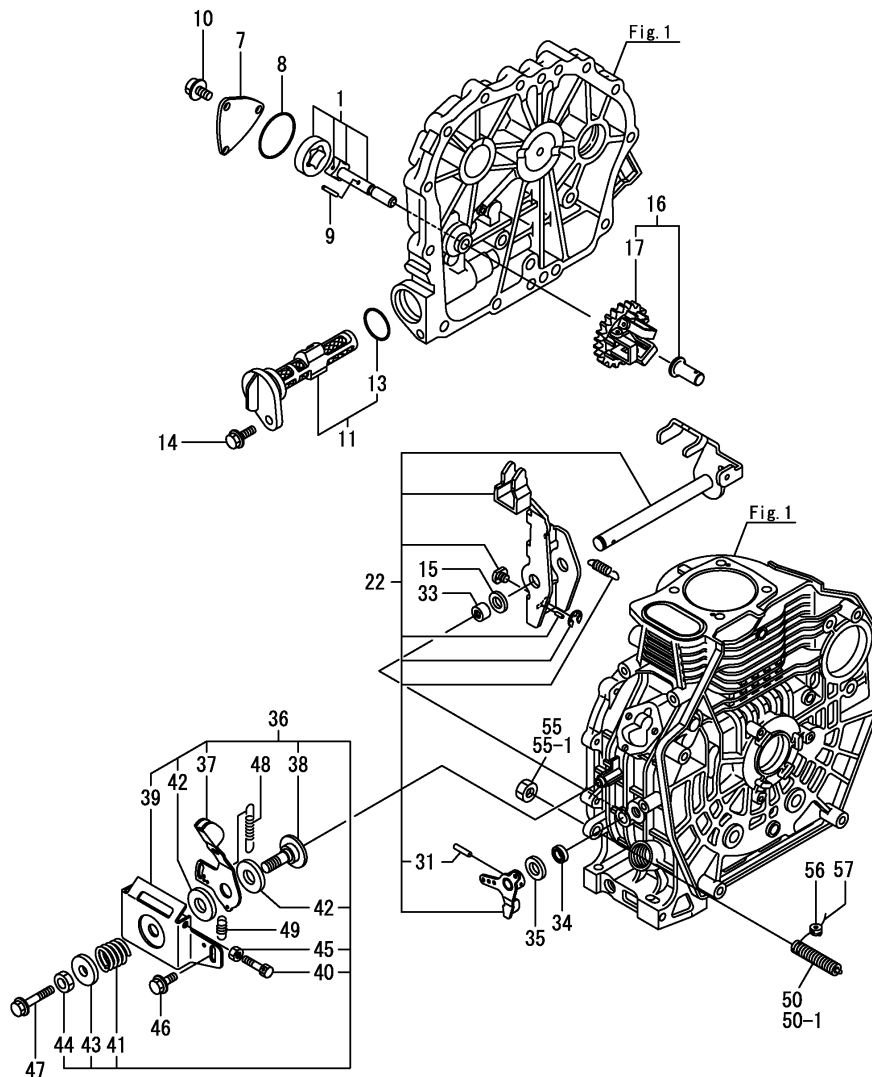
(B)=

(C)=

(D)=

(E)=

(F)=



| No.  | Lev. | Parts No.    | Description          | Q'ty |     |     |     |     |     | I | R |
|------|------|--------------|----------------------|------|-----|-----|-----|-----|-----|---|---|
|      |      |              |                      | (A)  | (B) | (C) | (D) | (E) | (F) |   |   |
| 1    | 1    | 114250-32010 | PUMP ASSY, OIL       | 1    |     |     |     |     |     |   |   |
| 7    | 1    | 114299-32070 | COVER, OIL PUMP      | 1    |     |     |     |     |     |   |   |
| 8    | 1    | 114299-32570 | O-RING, PUMP COVER   | 1    |     |     |     |     |     |   |   |
| 9    | 1    | 22312-030160 | PIN, PARALLEL M3X16  | 1    |     |     |     |     |     |   |   |
| 10   | 1    | 26106-060122 | BOLT, M6X 12 PLATED  | 3    |     |     |     |     |     |   |   |
| 11   | 1    | 114299-35110 | FILTER ASSY, OIL     | 1    |     |     |     |     |     |   |   |
| 13   | 2    | 24341-000224 | O-RING, 1AS22.4      | 1    |     |     |     |     |     |   |   |
| 14   | 1    | 26106-060162 | BOLT, M6X 16 PLATED  | 1    |     |     |     |     |     |   |   |
| 15   | 1    | 114299-61190 | WASHER, GOVERNOR     | 1    |     |     |     |     |     |   |   |
| 16   | 1    | 714210-61701 | GOVERNOR ASSY        | 1    |     |     |     |     |     |   |   |
| 17   | 2    | 114210-61290 | WEIGHT ASSY,GOVERNOR | 1    |     |     |     |     |     |   |   |
| 22   | 1    | 114211-61500 | LEVER ASSY, GOVERNOR | 1    |     |     |     |     |     |   | 1 |
| 31   | 2    | 22322-030200 | PIN, TAPER 3X20      | 1    |     |     |     |     |     |   |   |
| 33   | 1    | 114770-61520 | BEARING, NEEDLE      | 2    |     |     |     |     |     |   |   |
| 34   | 1    | 114299-61600 | SEAL, OIL            | 1    |     |     |     |     |     |   |   |
| 35   | 1    | 114770-61610 | WASHER, THRUST       | 1    |     |     |     |     |     |   |   |
| 36   | 1    | 114210-66550 | BRACKET ASSY, HANDLE | 1    |     |     |     |     |     |   |   |
| 37   | 2    | 114210-66070 | HANDLE, REGULATOR    | 1    |     |     |     |     |     |   |   |
| 38   | 2    | 183250-66070 | SHAFT, HANDLE        | 1    |     |     |     |     |     |   |   |
| 39   | 2    | 114210-66400 | BRACKET, HANDLE      | 1    |     |     |     |     |     |   |   |
| 40   | 2    | 114250-66440 | BOLT, ADJUSTER       | 1    |     |     |     |     |     |   |   |
| 41   | 2    | 104200-66820 | SPRING, HANDLE       | 1    |     |     |     |     |     |   |   |
| 42   | 2    | 104200-66831 | PLATE, FRICTION      | 2    |     |     |     |     |     |   |   |
| 43   | 2    | 104200-66850 | WASHER, B            | 1    |     |     |     |     |     |   |   |
| 44   | 2    | 26696-100002 | NUT, LOCK M10        | 1    |     |     |     |     |     |   |   |
| 45   | 2    | 26757-060002 | NUT, LOCK M6         | 1    |     |     |     |     |     |   |   |
| 46   | 1    | 26106-060142 | BOLT, M6X 14 PLATED  | 1    |     |     |     |     |     |   |   |
| 47   | 1    | 26106-060452 | BOLT, M6X 45 PLATED  | 1    |     |     |     |     |     |   |   |
| 48   | 1    | 114220-66010 | SPRING, REGULATOR    | 1    |     |     |     |     |     |   |   |
| 49   | 1    | 114299-66200 | SPRING, RETURN       | 1    |     |     |     |     |     |   |   |
| 49-1 | 1    | 114299-66201 | SPRING, RETURN       | 1    |     |     |     |     |     |   | N |
|      |      | (A=ES15582)  |                      |      |     |     |     |     |     |   |   |
| 50   | 1    | 114220-66600 | LIMITER ASSY, FUEL   | 1    |     |     |     |     |     |   |   |
| 50-1 | 1    | 114222-66600 | LIMITER ASSY, FO     | 1    |     |     |     |     |     |   | S |
|      |      | (A=ES62792)  |                      |      |     |     |     |     |     |   |   |
| 55   | 1    | 26776-100002 | NUT, LOCK M10        | 1    |     |     |     |     |     |   |   |
| 55-1 | 1    | 114295-66690 | NUT, LOCK M14        | 1    |     |     |     |     |     |   | S |
|      |      | (A=ES62792)  |                      |      |     |     |     |     |     |   |   |
| 56   | 1    | 114780-61090 | TIN                  | 2    |     |     |     |     |     |   |   |
| 57   | 1    | 22451-060000 | WIRE, 0.6            | 2    |     |     |     |     |     |   |   |

Remarks

(1) On a guarantee of quality component parts shall not be sold.

Fig.6. COOLING & STARTING DEVICE

(A)=L70N6CA1F1AABR

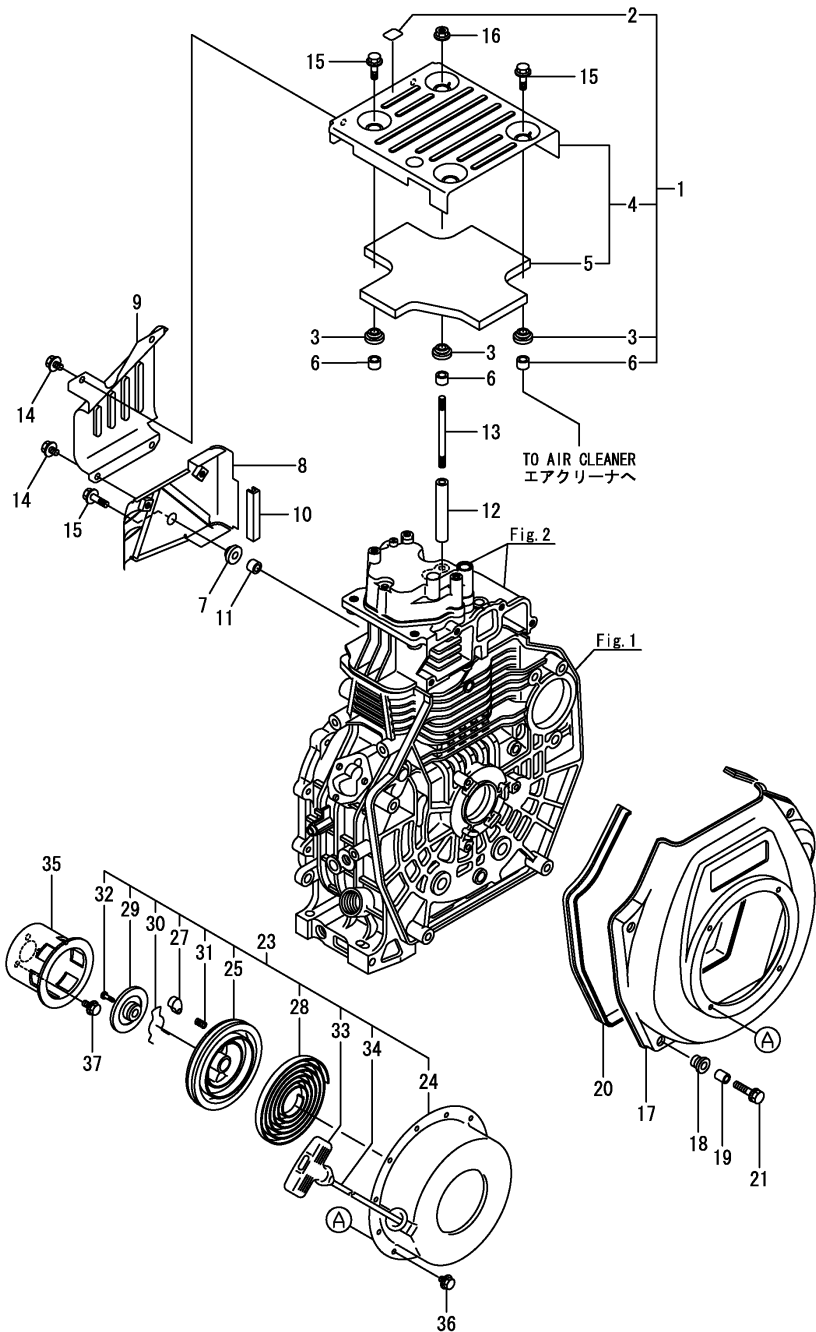
(B)=

(C)=

(D)=

(E)=

(F)=

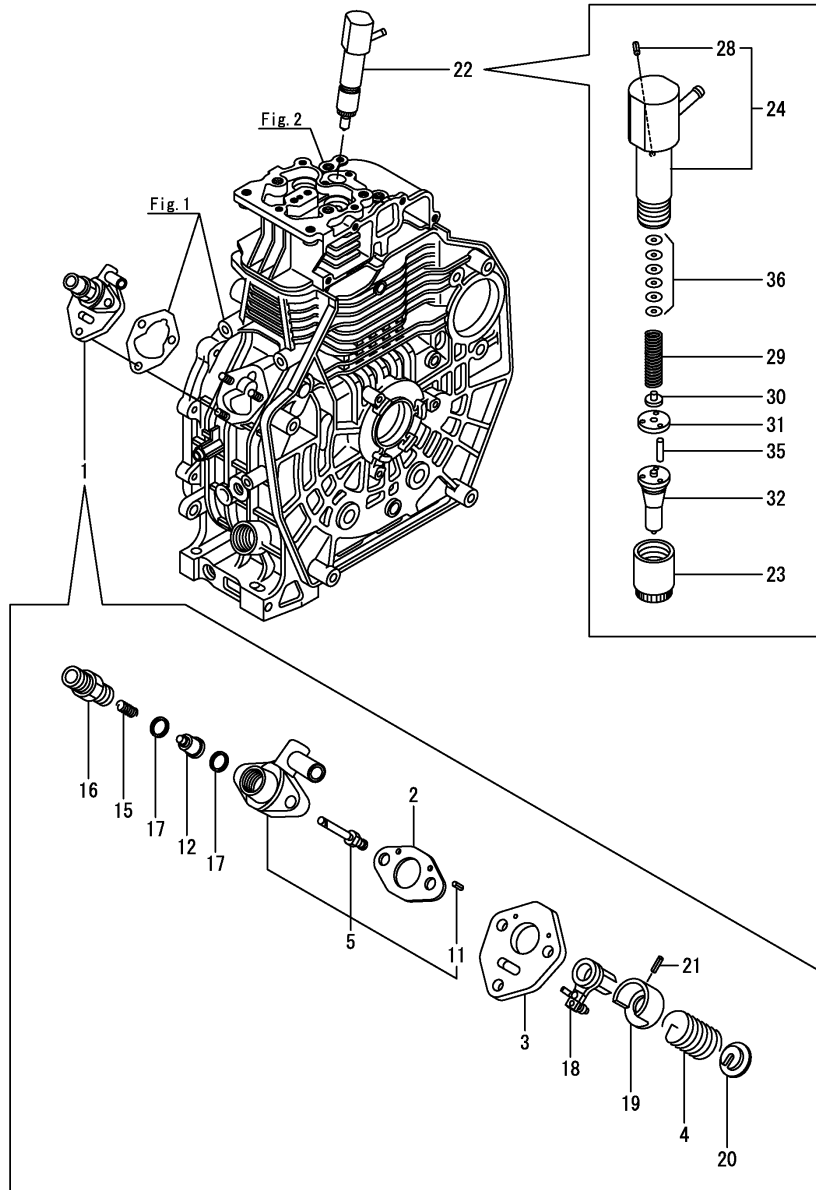


| No. | Lev. | Parts No.    | Description          | Q'ty |     |     |     |     |     | I | R |
|-----|------|--------------|----------------------|------|-----|-----|-----|-----|-----|---|---|
|     |      |              |                      | (A)  | (B) | (C) | (D) | (E) | (F) |   |   |
| 1   | 1    | 11422C-45200 | TOP COVER ASSY       | 1    |     |     |     |     |     |   |   |
| 2   | 2    | 114220-07120 | LABEL, DECOMPRESSION | 1    |     |     |     |     |     |   |   |
| 3   | 2    | 183720-55210 | GROMMET              | 4    |     |     |     |     |     |   |   |
| 4   | 2    | 11421C-45300 | COVER                | 1    |     |     |     |     |     |   |   |
| 5   | 3    | 11421C-45310 | INSULATOR, NOISE     | 1    |     |     |     |     |     |   |   |
| 6   | 2    | 114350-45340 | COLLAR               | 4    |     |     |     |     |     |   |   |
| 7   | 1    | 114299-45220 | GROMMET              | 1    |     |     |     |     |     |   |   |
| 8   | 1    | 11421C-45260 | COVER                | 1    |     |     |     |     |     |   |   |
| 9   | 1    | 11421C-45270 | COVER                | 1    |     |     |     |     |     |   |   |
| 10  | 1    | 114399-45320 | RUBBER, SEAL         | 1    |     |     |     |     |     |   |   |
| 11  | 1    | 114399-45340 | COLLAR               | 1    |     |     |     |     |     |   |   |
| 12  | 1    | 114210-45350 | SPACER, TOP COVER    | 1    |     |     |     |     |     |   |   |
| 13  | 1    | 114210-45360 | STUD BOLT, TOP COVER | 1    |     |     |     |     |     |   |   |
| 14  | 1    | 26106-060082 | BOLT, M6X 8 PLATED   | 4    |     |     |     |     |     |   |   |
| 15  | 1    | 26106-060202 | BOLT, M6X 20 PLATED  | 4    |     |     |     |     |     |   |   |
| 16  | 1    | 26366-060002 | NUT, M6              | 1    |     |     |     |     |     |   |   |
| 17  | 1    | 11421C-45100 | CASE, COOLING FAN    | 1    |     |     |     |     |     |   |   |
| 18  | 1    | 114299-45301 | RUBBER, CUSHION      | 4    |     |     |     |     |     |   |   |
| 19  | 1    | 114299-45310 | COLLAR               | 4    |     |     |     |     |     |   |   |
| 20  | 1    | 114299-45331 | SEAL, FAN CASE       | 1    |     |     |     |     |     |   |   |
| 21  | 1    | 114299-45350 | BOLT, FAN CASE       | 4    |     |     |     |     |     |   |   |
| 23  | 1    | 114399-76251 | RECOIL STARTER(D)ASY | 1    |     |     |     |     |     |   |   |
| 24  | 2    | 114399-76510 | CASE, STARTER        | 1    |     |     |     |     |     |   |   |
| 25  | 2    | 114399-76521 | REEL, RECOIL         | 1    |     |     |     |     |     |   |   |
| 27  | 2    | 114399-76531 | RATCHET              | 1    |     |     |     |     |     |   |   |
| 28  | 2    | 114399-76540 | SPRING, SPIRAL       | 1    |     |     |     |     |     |   |   |
| 29  | 2    | 114399-76550 | COVER                | 1    |     |     |     |     |     |   |   |
| 30  | 2    | 114399-76560 | SPRING               | 1    |     |     |     |     |     |   |   |
| 31  | 2    | 114399-76570 | SPRING, RETURN       | 1    |     |     |     |     |     |   |   |
| 32  | 2    | 114399-76580 | SCREW                | 1    |     |     |     |     |     |   |   |
| 33  | 2    | 114399-76620 | KNOB, STARTER        | 1    |     |     |     |     |     |   |   |
| 34  | 2    | 114399-76630 | ROPE, STARTER        | 1    |     |     |     |     |     |   |   |
| 35  | 1    | 114399-76590 | PULLEY, STARTER      | 1    |     |     |     |     |     |   |   |
| 36  | 1    | 26106-060082 | BOLT, M6X 8 PLATED   | 4    |     |     |     |     |     |   |   |
| 37  | 1    | 26106-060122 | BOLT, M6X 12 PLATED  | 3    |     |     |     |     |     |   |   |

Fig.7. F.I.PUMP & F.I.VALVE

(A)=L70N6CA1F1AABR  
(B)=  
(C)=

(D)=  
(E)=  
(F)=



| No. | Lev. | Parts No.    | Description          | Q'ty |     |     |     |     |     | I | R |
|-----|------|--------------|----------------------|------|-----|-----|-----|-----|-----|---|---|
|     |      |              |                      | (A)  | (B) | (C) | (D) | (E) | (F) |   |   |
| 1   | 1    | 714239-51200 | F.I.PUMP ASSY        | 1    |     |     |     |     |     |   |   |
| 2   | 2    | 105546-51020 | GASKET               | 1    |     |     |     |     |     |   |   |
| 3   | 2    | 114250-51080 | PLATE                | 1    |     |     |     |     |     |   |   |
| 4   | 2    | 114250-51160 | SPRING, PLUNGER      | 1    |     |     |     |     |     |   |   |
| 5   | 2    | 114239-51100 | BODY ASSY, PUMP      | 1    |     |     |     |     |     |   |   |
| 11  | 4    | 22351-020006 | PIN, SPRING 2.0X 6   | 2    |     |     |     |     |     |   |   |
| 12  | 2    | 114650-51300 | VALVE ASSY, DELIVERY | 1    |     |     |     |     |     |   |   |
| 15  | 2    | 105546-51330 | SPRING, DELIVERY     | 1    |     |     |     |     |     |   |   |
| 16  | 2    | 114250-51340 | HOLDER, DELIVERY     | 1    |     |     |     |     |     |   |   |
| 17  | 2    | 124550-51350 | GASKET, DELIVERY     | 2    |     |     |     |     |     |   |   |
| 18  | 2    | 114250-51600 | LEVER ASSY, CONTROL  | 1    |     |     |     |     |     |   |   |
| 19  | 2    | 114250-51640 | SEAT, SPRING A       | 1    |     |     |     |     |     |   |   |
| 20  | 2    | 114250-51650 | SEAT, SPRING B       | 1    |     |     |     |     |     |   |   |
| 21  | 2    | 22351-030008 | PIN, SPRING 3.0X 8   | 1    |     |     |     |     |     |   |   |
| 22  | 1    | 714239-53200 | VALVE ASSY,INJECTION | 1    |     |     |     |     |     |   |   |
| 23  | 2    | 114250-53080 | NUT, NOZZLE D16.95   | 1    |     |     |     |     |     |   |   |
| 24  | 2    | 114339-53100 | HOLDER ASSY, NOZZLE  | 1    |     |     |     |     |     |   |   |
| 28  | 3    | 22351-025005 | PIN, SPRING 2.5X 6   | 1    |     |     |     |     |     |   |   |
| 29  | 2    | 114250-53120 | SPRING, NOZZLE       | 1    |     |     |     |     |     |   |   |
| 30  | 2    | 114250-53130 | SEAT, SPRING         | 1    |     |     |     |     |     |   |   |
| 31  | 2    | 114250-53140 | PLATE                | 1    |     |     |     |     |     |   |   |
| 32  | 2    | 114239-53200 | NOZZLE ASSY          | 1    |     |     |     |     |     |   |   |
| 35  | 2    | 114250-53210 | PIN                  | 2    |     |     |     |     |     |   |   |
| 36  | 2    | 114250-53400 | SHIM SET             | 1    |     |     |     |     |     |   |   |

Fig.8. FUEL TANK & FUEL PIPE

(A)=L70N6CA1F1AABR

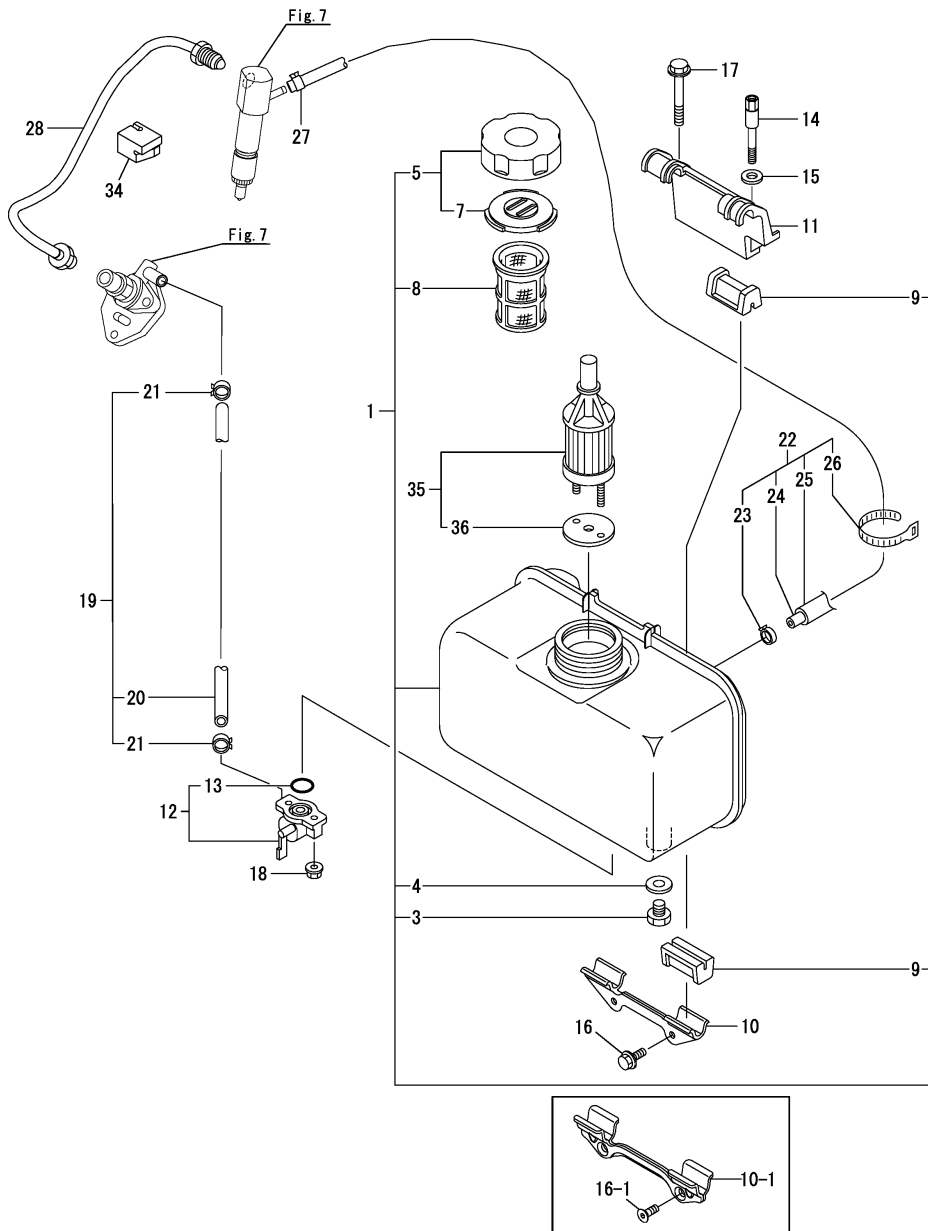
(B)=

(C)=

(D)=

(E)=

(F)=



| No.          | Lev. | Parts No.    | Description          | Q'ty |     |     |     |     |     | I | R   |
|--------------|------|--------------|----------------------|------|-----|-----|-----|-----|-----|---|-----|
|              |      |              |                      | (A)  | (B) | (C) | (D) | (E) | (F) |   |     |
| 1            | 1    | 11421C-55710 | TANK ASSY, FUEL      | 1    |     |     |     |     |     |   |     |
| 3            | 3    | 114299-55080 | PLUG, DRAIN          | 1    |     |     |     |     |     |   |     |
| 4            | 3    | 23414-080000 | GASKET, 8X1.0        | 1    |     |     |     |     |     |   |     |
| 5            | 2    | 114299-55040 | CAP ASSY, FUEL TANK  | 1    |     |     |     |     |     |   |     |
| 7            | 3    | 114288-55081 | VALVE                | 1    |     |     |     |     |     |   |     |
| 8            | 2    | 114299-55100 | ELEMENT, FUEL FILTER | 1    |     |     |     |     |     |   |     |
| 9            | 2    | 114250-55201 | DAMPER, FUEL TANK    | 4    |     |     |     |     |     |   |     |
| 10           | 1    | 114210-55210 | STAY, FUEL TANK A    | 1    |     |     |     |     |     |   |     |
| 10-1         | 1    | 114210-55220 | STAY, FUEL TANK A    | 1    |     |     |     |     |     |   | F 1 |
| (A=ES64061)  |      |              |                      |      |     |     |     |     |     |   |     |
| 11           | 1    | 114210-55230 | STAY, FUEL TANK B    | 1    |     |     |     |     |     |   |     |
| 12           | 1    | 114250-55301 | COCK ASSY, FUEL      | 1    |     |     |     |     |     |   |     |
| 13           | 2    | 24341-000150 | O-RING, 1AS15.0      | 1    |     |     |     |     |     |   |     |
| 14           | 1    | 114210-55810 | BOLT, LIFTING        | 1    |     |     |     |     |     |   |     |
| 15           | 1    | 22117-080000 | WASHER, 8            | 1    |     |     |     |     |     |   |     |
| 16           | 1    | 26106-060162 | BOLT, M6X 16 PLATED  | 2    |     |     |     |     |     |   |     |
| 16-1         | 1    | 114210-55300 | BOLT                 | 2    |     |     |     |     |     |   | F 1 |
| (A=ES64061)  |      |              |                      |      |     |     |     |     |     |   |     |
| 17           | 1    | 26106-080452 | BOLT, M8X 45 PLATED  | 1    |     |     |     |     |     |   |     |
| 18           | 1    | 26366-060002 | NUT, M6              | 2    |     |     |     |     |     |   |     |
| 19           | 1    | 114780-59010 | PIPE ASSY, FUEL L50  | 1    |     |     |     |     |     |   |     |
| 20           | 2    | 114780-59060 | PIPE, FUEL L=50      | 1    |     |     |     |     |     |   |     |
| 21           | 2    | 23080-014000 | CLAMP, 14            | 2    |     |     |     |     |     |   |     |
| 22           | 1    | 114239-59300 | PIPE ASSY, RETURN    | 1    |     |     |     |     |     |   |     |
| 22-1         | 1    | 114239-59301 | PIPE ASSY, FO RETURN | 1    |     |     |     |     |     |   | N   |
| (A=*2019.03) |      |              |                      |      |     |     |     |     |     |   |     |
| 23           | 2    | 124722-59050 | CLAMP, HOSE 9        | 1    |     |     |     |     |     |   |     |
| 24           | 2    | 114650-59060 | PIPE, FUEL RETURN    | 1    |     |     |     |     |     |   |     |
| 25           | 2    | 114652-59310 | TUBE, PROTECT        | 1    |     |     |     |     |     |   |     |
| 26           | 2    | 121750-59890 | BAND, NYLON          | 1    |     |     |     |     |     |   |     |
| 27           | 2    | 124066-59100 | CLAMP, HOSE 8        | 1    |     |     |     |     |     |   |     |
| 28           | 1    | 114210-59800 | PIPE ASSY, INJECTION | 1    |     |     |     |     |     |   |     |
| 34           | 1    | 114210-59850 | SUPPORT, PIPE        | 1    |     |     |     |     |     |   |     |
| 35           | 1    | 114250-55121 | FILTER ASSY, FUEL    | 1    |     |     |     |     |     |   |     |
| 36           | 2    | 114250-55130 | GASKET               | 1    |     |     |     |     |     |   |     |

Remarks

(1)No.10-1 & 16-1 are interchangeable by set.

Fig.9. STARTING MOTOR & DYNAMO

(A)=L70N6CA1F1AABR

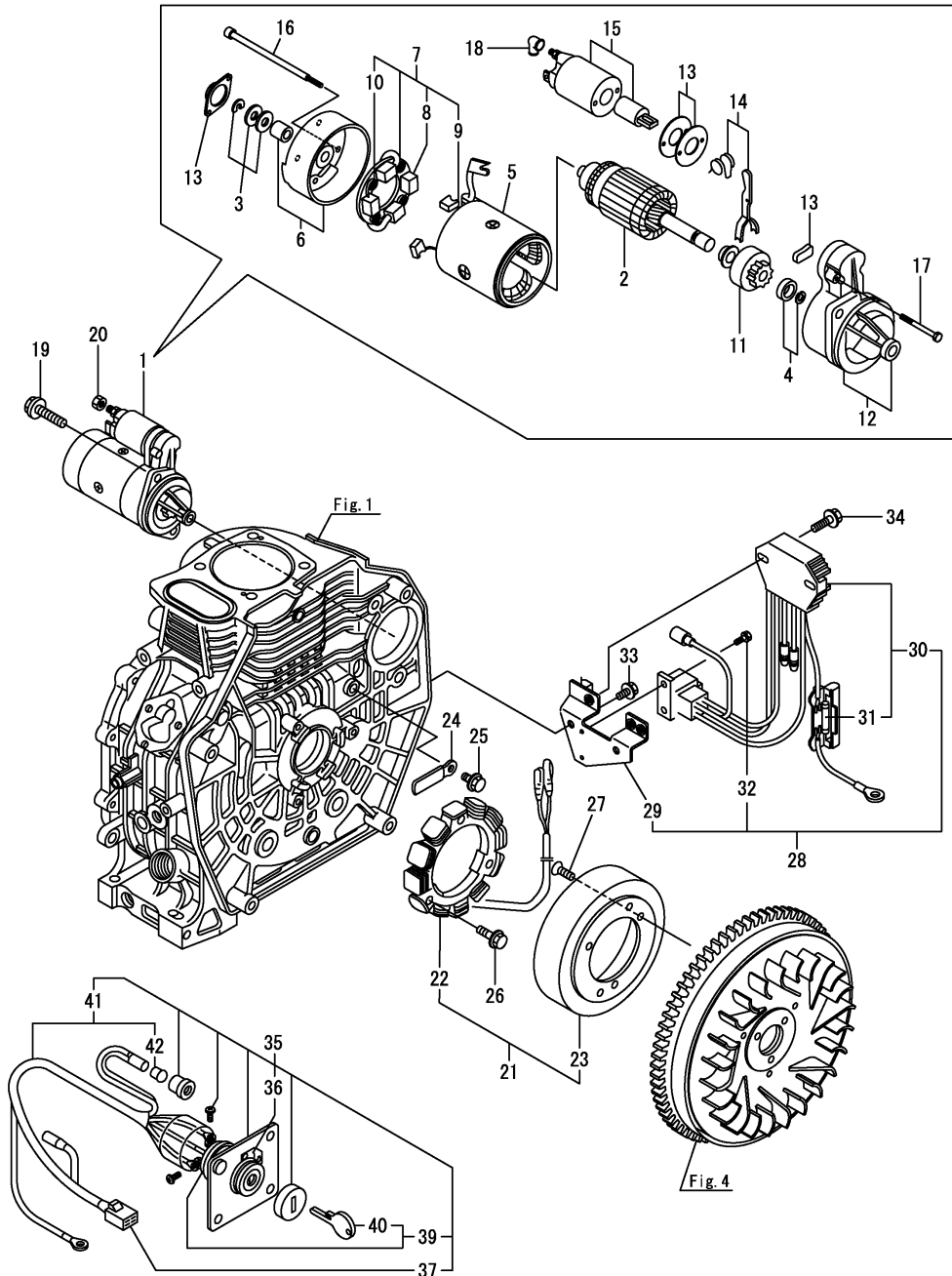
(B)=

(C)=

(D)=

(E)=

(F)=



| No. | Lev. | Parts No.    | Description          | Q'ty |     |     |     |     |     | I | R |
|-----|------|--------------|----------------------|------|-----|-----|-----|-----|-----|---|---|
|     |      |              |                      | (A)  | (B) | (C) | (D) | (E) | (F) |   |   |
| 1   | 1    | 114362-77011 | STARTER(HITACHI 12V  | 1    |     |     |     |     |     |   |   |
| 2   | 2    | 114381-77110 | ARMATURE             | 1    |     |     |     |     |     |   |   |
| 3   | 2    | X2114811000  | WASHER KIT, THRUST   | 1    |     |     |     |     |     |   |   |
| 4   | 2    | X2114715500  | STOPPER SET, PINION  | 1    |     |     |     |     |     |   |   |
| 5   | 2    | 114381-77130 | COIL ASSY, FIELD     | 1    |     |     |     |     |     |   |   |
| 6   | 2    | 114381-77140 | COVER, REAR          | 1    |     |     |     |     |     |   |   |
| 7   | 2    | 114371-77160 | HOLDER ASSY, BRUSH   | 1    |     |     |     |     |     |   |   |
| 8   | 3    | 114371-79040 | BRUSH (-)            | 2    |     |     |     |     |     |   |   |
| 9   | 3    | 114371-79050 | BRUSH (+)            | 1    |     |     |     |     |     |   |   |
| 10  | 3    | 114371-79060 | SPRING, BRUSH        | 4    |     |     |     |     |     |   |   |
| 11  | 2    | X211485016   | PINION ASSY          | 1    |     |     |     |     |     |   |   |
| 12  | 2    | 114381-77151 | HOUSING ASSY, GEAR   | 1    |     |     |     |     |     |   |   |
| 13  | 2    | 114371-77170 | COVER KIT, DUST      | 1    |     |     |     |     |     |   |   |
| 14  | 2    | 114371-77180 | LEVER KIT, SHIFT     | 1    |     |     |     |     |     |   |   |
| 15  | 2    | 124298-77020 | SWITCH, MAGNETIC     | 1    |     |     |     |     |     |   |   |
| 16  | 2    | 124195-77770 | THROUGH BOLT         | 2    |     |     |     |     |     |   |   |
| 17  | 2    | 114371-79070 | BOLT M 6X 37         | 2    |     |     |     |     |     |   |   |
| 18  | 2    | X2114274200  | COVER, TERMINAL      | 1    |     |     |     |     |     |   |   |
| 19  | 1    | 26106-100302 | BOLT, M10X 30 PLATED | 2    |     |     |     |     |     |   |   |
| 20  | 1    | 26716-080002 | NUT, M8              | 1    |     |     |     |     |     |   |   |
| 21  | 1    | 114399-78280 | DINAMO ASSY, 15A     | 1    |     |     |     |     |     |   |   |
| 22  | 2    | 114399-78770 | STATOR ASSY          | 1    |     |     |     |     |     |   |   |
| 23  | 2    | 114399-78780 | WHEEL, DYNAMO        | 1    |     |     |     |     |     |   |   |
| 24  | 1    | 160710-78710 | CLAMP, CORD          | 1    |     |     |     |     |     |   |   |
| 25  | 1    | 26106-060122 | BOLT, M6X 12 PLATED  | 1    |     |     |     |     |     |   |   |
| 26  | 1    | 26106-060202 | BOLT, M6X 20 PLATED  | 3    |     |     |     |     |     |   |   |
| 27  | 1    | 26577-060142 | SCREW M 6X 14        | 3    |     |     |     |     |     |   |   |
| 28  | 1    | 114399-77560 | REG. & HARNESS ASSY  | 1    |     |     |     |     |     |   |   |
| 29  | 2    | 114399-77410 | BRACKET, HARNESS     | 1    |     |     |     |     |     |   |   |
| 30  | 2    | 114399-77720 | FUSE (20A),CARTRIDGE | 1    |     |     |     |     |     |   |   |
| 31  | 3    | 114399-78000 | FUSE(20A             | 1    |     |     |     |     |     |   |   |
| 32  | 2    | 26023-040102 | SCREW, M4X10         | 2    |     |     |     |     |     |   |   |
| 33  | 1    | 26106-060122 | BOLT, M6X 12 PLATED  | 2    |     |     |     |     |     |   |   |
| 34  | 1    | 26106-060202 | BOLT, M6X 20 PLATED  | 2    |     |     |     |     |     |   |   |
| 35  | 1    | 114220-77500 | PANEL ASSY,KEYSWITCH | 1    |     |     |     |     |     |   |   |
| 36  | 2    | 114220-07170 | LABEL, START SWITCH  | 1    |     |     |     |     |     |   |   |
| 37  | 2    | 114351-77520 | COUPLER              | 1    |     |     |     |     |     |   |   |
| 39  | 2    | 106100-77620 | SWITCH, KEY          | 1    |     |     |     |     |     |   |   |
| 40  | 3    | 106100-77630 | KEY, SWITCH          | 1    |     |     |     |     |     |   |   |
| 41  | 2    | 114351-77700 | HARNESS, WIRE        | 1    |     |     |     |     |     |   |   |
| 42  | 3    | 29220-083200 | BULB (12V/3.4W)      | 1    |     |     |     |     |     |   |   |

Fig.10. TOOL,LABEL & GASKET SET

(A)=L70N6CA1F1AABR

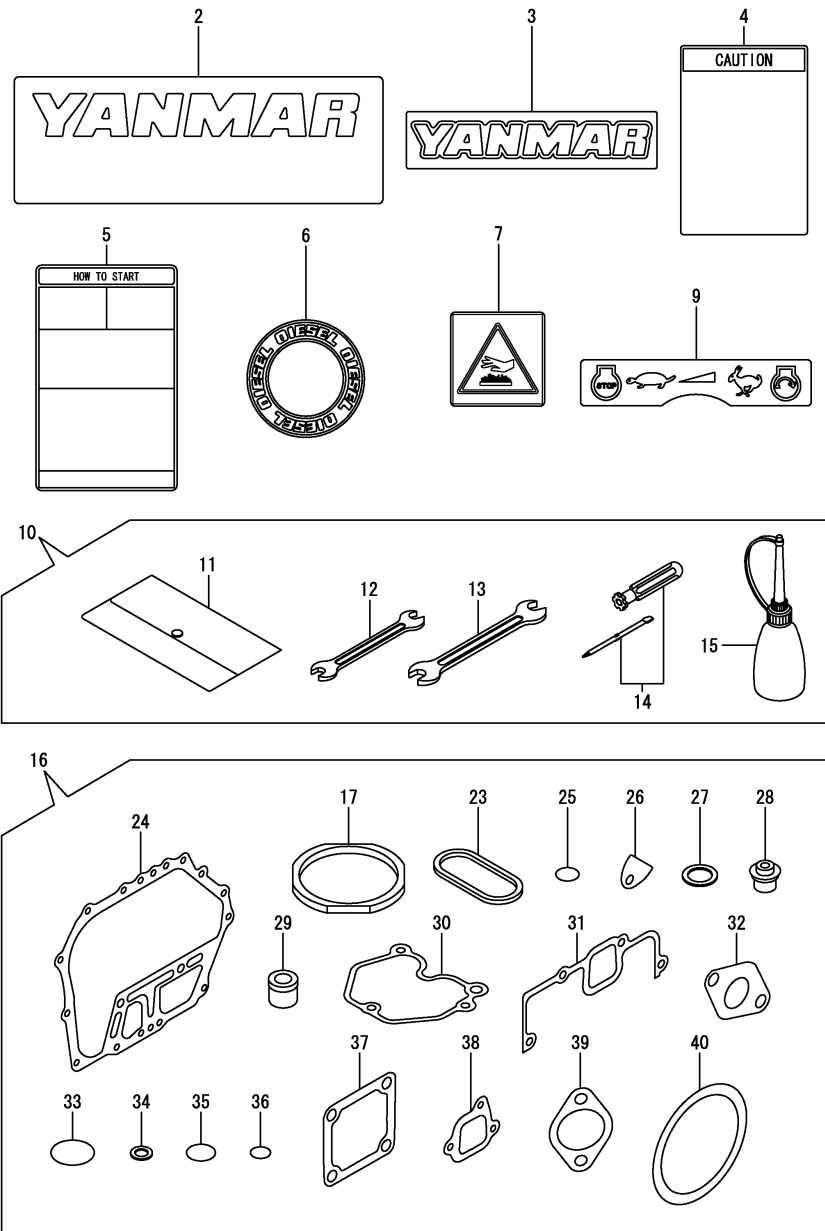
(B)=

(C)=

(D)=

(E)=

(F)=



| No. | Lev. | Parts No.    | Description          | Q'ty |     |     |     |     |     | I | R |
|-----|------|--------------|----------------------|------|-----|-----|-----|-----|-----|---|---|
|     |      |              |                      | (A)  | (B) | (C) | (D) | (E) | (F) |   |   |
| 2   | 1    | 114299-07100 | LABEL, AIR COOLED    | 1    |     |     |     |     |     |   |   |
| 3   | 1    | 114299-07110 | LABEL, YANMAR        | 1    |     |     |     |     |     |   |   |
| 4   | 1    | 114220-07100 | LABEL, CAUTION       | 1    |     |     |     |     |     |   |   |
| 5   | 1    | 114220-07110 | LABEL HOW TO START-E | 1    |     |     |     |     |     |   |   |
| 6   | 1    | 114299-07160 | LABEL, DIESEL        | 1    |     |     |     |     |     |   |   |
| 7   | 1    | 114220-07130 | LABEL, HOT SURFACE   | 1    |     |     |     |     |     |   |   |
| 9   | 1    | 114220-07140 | LABEL, CONTROL       | 1    |     |     |     |     |     |   |   |
| 10  | 1    | 114299-92590 | BOX, TOOL            | 1    |     |     |     |     |     |   |   |
| 11  | 2    | 114299-92600 | BAG, TOOL            | 1    |     |     |     |     |     |   |   |
| 12  | 2    | 114299-92710 | WRENCH               | 1    |     |     |     |     |     |   |   |
| 13  | 2    | 114299-92720 | WRENCH               | 1    |     |     |     |     |     |   |   |
| 14  | 2    | 114299-92730 | DRIVER               | 1    |     |     |     |     |     |   |   |
| 15  | 2    | 114299-92740 | DIPSTICK             | 1    |     |     |     |     |     |   |   |
| 16  | 1    | 114220-92600 | GASKET SET           | 1    |     |     |     |     |     |   | 1 |
| 17  | 2    | 114395-01330 | GASKET, HEAD         | 1    |     |     |     |     |     |   |   |
| 23  | 2    | 114399-01380 | O-RING               | 1    |     |     |     |     |     |   |   |
| 24  | 2    | 114399-01410 | GASKET, CRANK CASE   | 1    |     |     |     |     |     |   |   |
| 25  | 2    | 114299-01950 | O-RING, 18           | 2    |     |     |     |     |     |   |   |
| 26  | 2    | 114250-01841 | GASKET               | 1    |     |     |     |     |     |   |   |
| 27  | 2    | 22190-160002 | WASHER, SEAL 16      | 2    |     |     |     |     |     |   |   |
| 28  | 2    | 114350-11340 | SEAL, VALVE STEM     | 2    |     |     |     |     |     |   |   |
| 29  | 2    | 114771-11461 | GASKET, NOZZLE       | 1    |     |     |     |     |     |   |   |
| 30  | 2    | 114210-11310 | GASKET, BONNET       | 1    |     |     |     |     |     |   |   |
| 31  | 2    | 114210-12210 | GASKET, AIR CLEANER  | 1    |     |     |     |     |     |   |   |
| 32  | 2    | 114299-13200 | GASKET, MUFFLER      | 1    |     |     |     |     |     |   |   |
| 33  | 2    | 114299-32570 | O-RING               | 1    |     |     |     |     |     |   |   |
| 34  | 2    | 23414-080000 | GASKET, 8X1.0        | 1    |     |     |     |     |     |   |   |
| 35  | 2    | 24341-000224 | O-RING, 1AS22.4      | 1    |     |     |     |     |     |   |   |
| 36  | 2    | 24341-000150 | O-RING, 1AS15.0      | 1    |     |     |     |     |     |   |   |
| 37  | 2    | 129100-77510 | GASKET, AIR HEATER   | 3    |     |     |     |     |     |   |   |
| 38  | 2    | 114299-12210 | GASKET, AIR CLEANER  | 2    |     |     |     |     |     |   |   |
| 39  | 2    | 114299-12920 | GASKET, AIR CLEANER  | 1    |     |     |     |     |     |   |   |
| 40  | 2    | 114399-21980 | GASKET               | 1    |     |     |     |     |     |   |   |

Remarks

(1) Optional parts.

## Parts No. Index

| Parts No.    | Fig. No. | Ref. No. |
|--------------|----------|----------|
| 104200-66820 | 5        | 41       |
| 104200-66831 | 5        | 42       |
| 104200-66850 | 5        | 43       |
| 105010-11490 | 2        | 28       |
| 105546-51020 | 7        | 2        |
| 105546-51330 | 7        | 15       |
| 106100-77620 | 9        | 39       |
| 106100-77630 | 9        | 40       |
| 114210-01020 | 1        | 1        |
| 114210-01200 | 2        | 1        |
| 114210-01210 | 2        | 2        |
| 114210-01450 | 1        | 27       |
| 114210-03590 | 2        | 38       |
| 114210-11120 | 2        | 10       |
| 114210-11180 | 2        | 11       |
| 114210-11310 | 2        | 35       |
|              | 10       | 30       |
| 114210-11901 | 2        | 30       |
| 114210-11930 | 2        | 12       |
| 114210-11950 | 2        | 36       |
| 114210-12010 | 3        | 2        |
| 114210-12210 | 3        | 15       |
|              | 10       | 31       |
| 114210-12560 | 3        | 9        |
| 114210-12590 | 3        | 10       |
| 114210-12600 | 3        | 13       |
| 114210-14200 | 4        | 6        |
| 114210-14300 | 4        | 7        |
| 114210-14400 | 4        | 12       |
| 114210-23600 | 4        | 42       |
| 114210-23610 | 4        | 63       |
| 114210-23620 | 4        | 65       |
| 114210-28050 | 4        | 62       |
| 114210-45350 | 6        | 12       |
| 114210-45360 | 6        | 13       |
| 114210-55210 | 8        | 10       |
| 114210-55220 | 8        | 10 -1    |
| 114210-55230 | 8        | 11       |
| 114210-55300 | 8        | 16 -1    |
| 114210-55810 | 8        | 14       |
| 114210-59800 | 8        | 28       |
| 114210-59850 | 8        | 34       |
| 114210-61290 | 5        | 17       |
| 114210-66070 | 5        | 37       |
| 114210-66400 | 5        | 39       |
| 114210-66550 | 5        | 36       |
| 114211-61500 | 5        | 22       |
| 11421C-11100 | 2        | 8        |
| 11421C-11110 | 2        | 9        |
| 11421C-11250 | 2        | 14       |

| Parts No.    | Fig. No. | Ref. No. |
|--------------|----------|----------|
| 11421C-11260 | 2        | 15       |
| 11421C-11650 | 2        | 17       |
| 11421C-11660 | 2        | 21       |
| 11421C-13500 | 3        | 19       |
| 11421C-13510 | 3        | 19 -1    |
| 11421C-45100 | 6        | 17       |
| 11421C-45260 | 6        | 8        |
| 11421C-45270 | 6        | 9        |
| 11421C-45300 | 6        | 4        |
| 11421C-45310 | 6        | 5        |
| 11421C-55710 | 8        | 1        |
| 114220-07100 | 10       | 4        |
| 114220-07110 | 10       | 5        |
| 114220-07120 | 6        | 2        |
| 114220-07130 | 10       | 7        |
| 114220-07140 | 10       | 9        |
| 114220-07170 | 9        | 36       |
| 114220-11020 | 2        | 3        |
| 114220-12500 | 3        | 6        |
| 114220-12550 | 3        | 1        |
| 114220-66010 | 5        | 48       |
| 114220-66600 | 5        | 50       |
| 114220-77500 | 9        | 35       |
| 114220-92600 | 10       | 16       |
| 114222-66600 | 5        | 50 -1    |
| 11422C-45200 | 6        | 1        |
| 114239-51100 | 7        | 5        |
| 114239-53200 | 7        | 32       |
| 114239-59300 | 8        | 22       |
| 114239-59301 | 8        | 22 -1    |
| 114240-11450 | 2        | 26       |
| 114240-11550 | 2        | 27       |
| 114250-01841 | 1        | 19       |
|              | 10       | 26       |
| 114250-11240 | 2        | 19       |
|              |          | 23       |
| 114250-32010 | 5        | 1        |
| 114250-51080 | 7        | 3        |
| 114250-51160 | 7        | 4        |
| 114250-51340 | 7        | 16       |
| 114250-51600 | 7        | 18       |
| 114250-51640 | 7        | 19       |
| 114250-51650 | 7        | 20       |
| 114250-53080 | 7        | 23       |
| 114250-53120 | 7        | 29       |
| 114250-53130 | 7        | 30       |
| 114250-53140 | 7        | 31       |
| 114250-53210 | 7        | 35       |
| 114250-53400 | 7        | 36       |
| 114250-55121 | 8        | 35       |

| Parts No.    | Fig. No. | Ref. No. |
|--------------|----------|----------|
| 114250-55130 | 8        | 36       |
| 114250-55201 | 8        | 9        |
| 114250-55301 | 8        | 12       |
| 114250-66440 | 5        | 40       |
| 114288-55081 | 8        | 7        |
| 114295-66690 | 5        | 55 -1    |
| 114299-01600 | 1        | 22       |
| 114299-01690 | 1        | 34       |
| 114299-01800 | 1        | 7        |
| 114299-01830 | 1        | 18       |
| 114299-01950 | 1        | 37       |
|              | 10       | 25       |
| 114299-02030 | 1        | 39       |
| 114299-03640 | 2        | 41       |
| 114299-07100 | 10       | 2        |
| 114299-07110 | 10       | 3        |
| 114299-07160 | 10       | 6        |
| 114299-11600 | 2        | 29       |
| 114299-12210 | 10       | 38       |
| 114299-12300 | 3        | 14       |
| 114299-12920 | 10       | 39       |
| 114299-13200 | 3        | 18       |
|              | 10       | 32       |
| 114299-13800 | 3        | 28       |
| 114299-21220 | 4        | 21       |
| 114299-21550 | 4        | 22       |
| 114299-32070 | 5        | 7        |
| 114299-32570 | 5        | 8        |
|              | 10       | 33       |
| 114299-35110 | 5        | 11       |
| 114299-35150 | 1        | 32       |
| 114299-45220 | 6        | 7        |
| 114299-45301 | 6        | 18       |
| 114299-45310 | 6        | 19       |
| 114299-45331 | 6        | 20       |
| 114299-45350 | 6        | 21       |
| 114299-55040 | 8        | 5        |
| 114299-55080 | 8        | 3        |
| 114299-55100 | 8        | 8        |
| 114299-61190 | 5        | 15       |
| 114299-61600 | 5        | 34       |
| 114299-66200 | 5        | 49       |
| 114299-66201 | 5        | 49 -1    |
| 114299-92590 | 10       | 10       |
| 114299-92600 | 10       | 11       |
| 114299-92710 | 10       | 12       |
| 114299-92720 | 10       | 13       |
| 114299-92730 | 10       | 14       |
| 114299-92740 | 10       | 15       |
| 1142A0-01010 | 1        | 1 -1     |

| Parts No.    | Fig. No. | Ref. No. |
|--------------|----------|----------|
| 114339-53100 | 7        | 24       |
| 114350-02100 | 1        | 30       |
| 114350-02113 | 1        | 40       |
| 114350-02200 | 1        | 45       |
| 114350-02210 | 1        | 46       |
| 114350-11340 | 2        | 25       |
|              | 10       | 28       |
| 114350-45340 | 6        | 6        |
| 114351-77520 | 9        | 37       |
| 114351-77700 | 9        | 41       |
| 114362-77011 | 9        | 1        |
| 114371-77160 | 9        | 7        |
| 114371-77170 | 9        | 13       |
| 114371-77180 | 9        | 14       |
| 114371-79040 | 9        | 8        |
| 114371-79050 | 9        | 9        |
| 114371-79060 | 9        | 10       |
| 114371-79070 | 9        | 17       |
| 114380-23100 | 4        | 44       |
| 114381-77110 | 9        | 2        |
| 114381-77130 | 9        | 5        |
| 114381-77140 | 9        | 6        |
| 114381-77151 | 9        | 12       |
| 114395-01330 | 10       | 17       |
| 114395-01341 | 1        | 5        |
| 114399-01380 | 1        | 6        |
|              | 10       | 23       |
| 114399-01410 | 1        | 26       |
|              | 10       | 24       |
| 114399-21590 | 4        | 23       |
| 114399-21600 | 4        | 26       |
| 114399-21980 | 10       | 40       |
| 114399-22300 | 4        | 36       |
| 114399-45320 | 6        | 10       |
| 114399-45340 | 6        | 11       |
| 114399-76251 | 6        | 23       |
| 114399-76510 | 6        | 24       |
| 114399-76521 | 6        | 25       |
| 114399-76531 | 6        | 27       |
| 114399-76540 | 6        | 28       |
| 114399-76550 | 6        | 29       |
| 114399-76560 | 6        | 30       |
| 114399-76570 | 6        | 31       |
| 114399-76580 | 6        | 32       |
| 114399-76590 | 6        | 35       |
| 114399-76620 | 6        | 33       |
| 114399-76630 | 6        | 34       |
| 114399-77410 | 9        | 29       |
| 114399-77560 | 9        | 28       |
| 114399-77720 | 9        | 30       |

## Parts No. Index

| Parts No.    | Fig. No. | Ref. No. |
|--------------|----------|----------|
| 114399-78000 | 9        | 31       |
| 114399-78280 | 9        | 21       |
| 114399-78770 | 9        | 22       |
| 114399-78780 | 9        | 23       |
| 114650-51300 | 7        | 12       |
| 114650-59060 | 8        | 24       |
| 114652-59310 | 8        | 25       |
| 114699-01760 | 1        | 35       |
| 114770-61520 | 5        | 33       |
| 114770-61610 | 5        | 35       |
| 114771-11461 | 10       | 29       |
| 114780-59010 | 8        | 19       |
| 114780-59060 | 8        | 20       |
| 114780-61090 | 5        | 56       |
| 118200-23200 | 4        | 41       |
| 121750-59890 | 8        | 26       |
| 124066-59100 | 8        | 27       |
| 124195-77770 | 9        | 16       |
| 124298-77020 | 9        | 15       |
| 124550-51350 | 7        | 17       |
| 124722-59050 | 8        | 23       |
| 129100-77510 | 10       | 37       |
| 160110-02220 | 1        | 41       |
|              |          | 42       |
| 160710-78710 | 9        | 24       |
| 160842-21150 | 4        | 69       |
| 160842-21250 | 4        | 67       |
| 160842-21260 | 4        | 68       |
| 183250-66070 | 5        | 38       |
| 183720-55210 | 6        | 3        |
| 22117-080000 | 8        | 15       |
| 22190-160002 | 1        | 38       |
|              | 10       | 27       |
| 22242-000120 | 2        | 16       |
| 22252-000210 | 4        | 37       |
| 22312-030160 | 2        | 43       |
|              | 5        | 9        |
| 22312-040080 | 1        | 20       |
| 22322-030200 | 5        | 31       |
| 22351-020006 | 7        | 11       |
| 22351-025005 | 7        | 28       |
| 22351-030008 | 7        | 21       |
| 22351-040008 | 2        | 31       |
| 22451-060000 | 5        | 57       |
| 22512-040120 | 4        | 27       |
| 23080-014000 | 8        | 21       |
| 23414-080000 | 8        | 4        |
|              | 10       | 34       |
| 23875-020000 | 1        | 21       |
| 23876-010000 | 1        | 47       |

| Parts No.    | Fig. No. | Ref. No. |
|--------------|----------|----------|
| 24162-152116 | 1        | 43       |
| 24341-000150 | 8        | 13       |
|              | 10       | 36       |
| 24341-000224 | 5        | 13       |
|              | 10       | 35       |
| 26023-040102 | 9        | 32       |
| 26106-060082 | 6        | 14       |
|              |          | 36       |
| 26106-060122 | 5        | 10       |
|              | 6        | 37       |
|              | 9        | 25       |
|              |          | 33       |
| 26106-060142 | 3        | 25       |
|              | 5        | 46       |
| 26106-060162 | 5        | 14       |
|              | 8        | 16       |
| 26106-060202 | 3        | 16       |
|              | 6        | 15       |
|              | 9        | 26       |
|              |          | 34       |
| 26106-060402 | 2        | 32       |
| 26106-060452 | 5        | 47       |
| 26106-060552 | 2        | 46       |
| 26106-080122 | 1        | 44       |
| 26106-080162 | 3        | 25 -1    |
| 26106-080352 | 1        | 33       |
| 26106-080452 | 8        | 17       |
| 26106-100302 | 9        | 19       |
| 26216-080182 | 3        | 26       |
| 26226-060182 | 1        | 23       |
| 26226-060222 | 1        | 24       |
| 26226-060302 | 3        | 17       |
| 26226-060552 | 2        | 33       |
| 26366-060002 | 1        | 25       |
|              | 2        | 34       |
|              | 6        | 16       |
|              | 8        | 18       |
| 26366-080002 | 3        | 27       |
| 26577-060142 | 9        | 27       |
| 26696-100002 | 5        | 44       |
| 26716-080002 | 9        | 20       |
| 26757-060002 | 5        | 45       |
| 26776-100002 | 5        | 55       |
| 26856-060002 | 2        | 20       |
|              |          | 24       |
| 29220-083200 | 9        | 42       |
| 714210-28510 | 4        | 45       |
| 714210-61701 | 5        | 16       |
| 71421C-21030 | 4        | 13       |
| 71421C-23010 | 4        | 38       |

| Parts No.    | Fig. No. | Ref. No. |
|--------------|----------|----------|
| 714220-22580 | 4        | 56       |
| 714220-22620 | 4        | 50       |
| 714220-22720 | 4        | 28       |
| 71422C-14580 | 4        | 1        |
| 714239-51200 | 7        | 1        |
| 714239-53200 | 7        | 22       |
| 714870-22502 | 4        | 30       |
| 714870-22542 | 4        | 52       |
| 714870-22552 | 4        | 58       |
| X2114274200  | 9        | 18       |
| X2114715500  | 9        | 4        |
| X2114811000  | 9        | 3        |
| X211485016   | 9        | 11       |

| Parts No. | Fig. No. | Ref. No. |
|-----------|----------|----------|
|-----------|----------|----------|