

0CC50-M02370EN

P R E F A C E

This parts catalog is the 1st edition of L70V5EK0C1HAMA for MASE.

Published : November, 2019

Contents

OCC50-M02370

Fig. No.	Fig. Name	Fig. No.	Fig. Name
ENGINE			
1.	CYLINDER BLOCK		
2.	DRAIN PLUG		
3.	LABEL		
4.	CYLINDER HEAD & BONNET		
5.	SUCTION MANIFOLD		
6.	AIR CLEANER		
7.	EXHAUST MUFFLER		
8.	CAMSHAFT		
9.	CRANKSHAFT		
10.	FLYWHEEL		
11.	PISTON & CONNECTING ROD		
12.	BALANCER SHAFT		
13.	LUB. OIL PUMP & GOVERNOR		
14.	SWITCH(OIL PRESSURE)		
15.	COVER		
16.	COOLING FAN CASE		
17.	FUEL INJECTION PUMP & FUEL INJECTION VALVE		
18.	CONTROL DEVICE		
19.	STARTER MOTOR		
20.	ELECTRIC PARTS		
21.	DYNAMO		
22.	ACCESSORY		
23.	GASKET SET & TOOL		

Fig.1. CYLINDER BLOCK

(A)=L70V5EK0C1HAMA

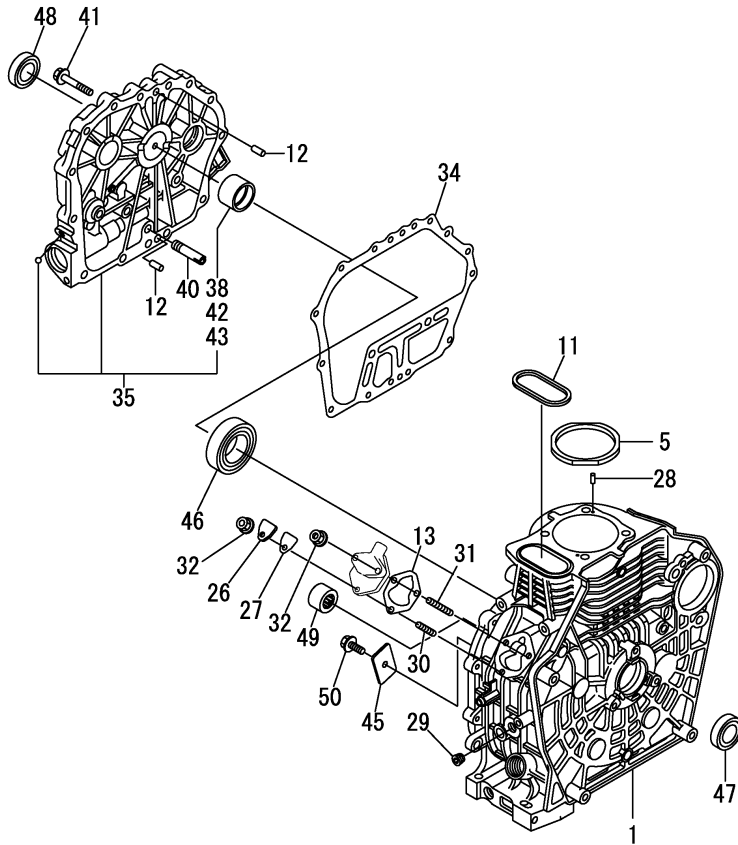
(B)=

(C)=

(D)=

(E)=

(F)=



No.	Lev.	Parts No.	Description	Q'ty						I	R
				(A)	(B)	(C)	(D)	(E)	(F)		
1	1	114210-01020	BLOCK ASSY, CYLINDER	1							
5	1	114395-01331	GASKET, HEAD	1							
11	1	114399-01380	O-RING, TAPPET	1							
12	1	114299-01600	PIN, PARALLEL 8X12	2							
13	1	114299-01800	SHIM SET, PUMP	1							
26	1	114299-01830	COVER, PUMP	1							
27	1	114250-01841	GASKET, COVER	1							
28	1	22312-040080	PIN, PARALLEL M4X 8	2							
29	1	23875-020000	PLUG, R02	1							
30	1	26226-060182	STUD, M6X 18	1							
31	1	26226-060222	STUD, M6X 22	2							
32	1	26366-060002	NUT, M6	3							
34	1	114399-01410	GASKET, CASE COVER	1							
35	1	114211-01450	COVER, CRANK CASE	1							
38	2	114840-02110	BEARING, MAIN	1							1
40	1	114299-35150	PIPE, OIL INLET	1							
41	1	26106-080352	BOLT, M8X 35 PLATED	15							
42	1	114840-02200	BEARING, MAIN 0.25OS	1							2
43	1	114840-02210	BEARING, MAIN 0.50OS	1							3
45	1	114299-02030	RETAINER, BEARING	1							
46	1	114350-02113	BEARING, B35-135G3C3	1							
47	1	160110-02220	SEAL, OIL 30X45X8	1							
48	1	160110-02220	SEAL, OIL 30X45X8	1							
49	1	24162-152116	BEARING, 152116	1							
50	1	26106-080122	BOLT, M8X 12 PLATED	1							

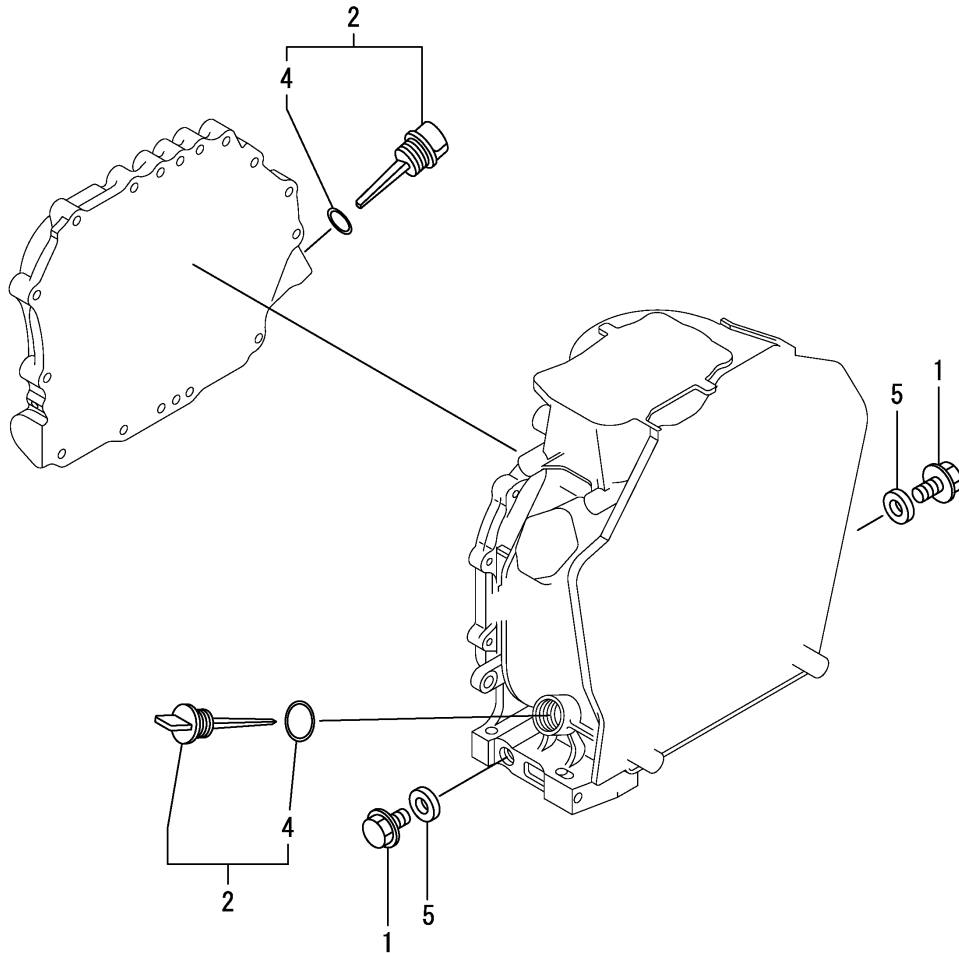
Remarks

- (1) Spare parts.
- (2) Over-sized (O.S.=0.25) parts.
- (3) Over-sized (O.S.=0.50) parts.

Fig.2. DRAIN PLUG

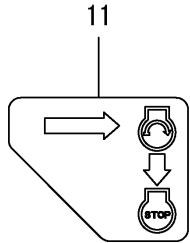
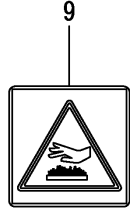
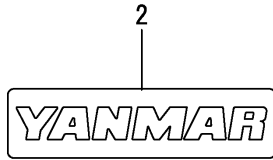
(A)=L70V5EK0C1HAMA
(B)=
(C)=

(D)=
(E)=
(F)=



No.	Lev.	Parts No.	Description	Q'ty						
				(A)	(B)	(C)	(D)	(E)	(F)	
1	1	114299-01690	PLUG, DRAIN 16	2						
2	1	114699-01760	CAP ASSY, OIL SUPPLY	2						
4	2	114299-01950	O-RING, 18	2						
5	1	22190-160002	WASHER, SEAL 16	2						

Fig.3. LABEL

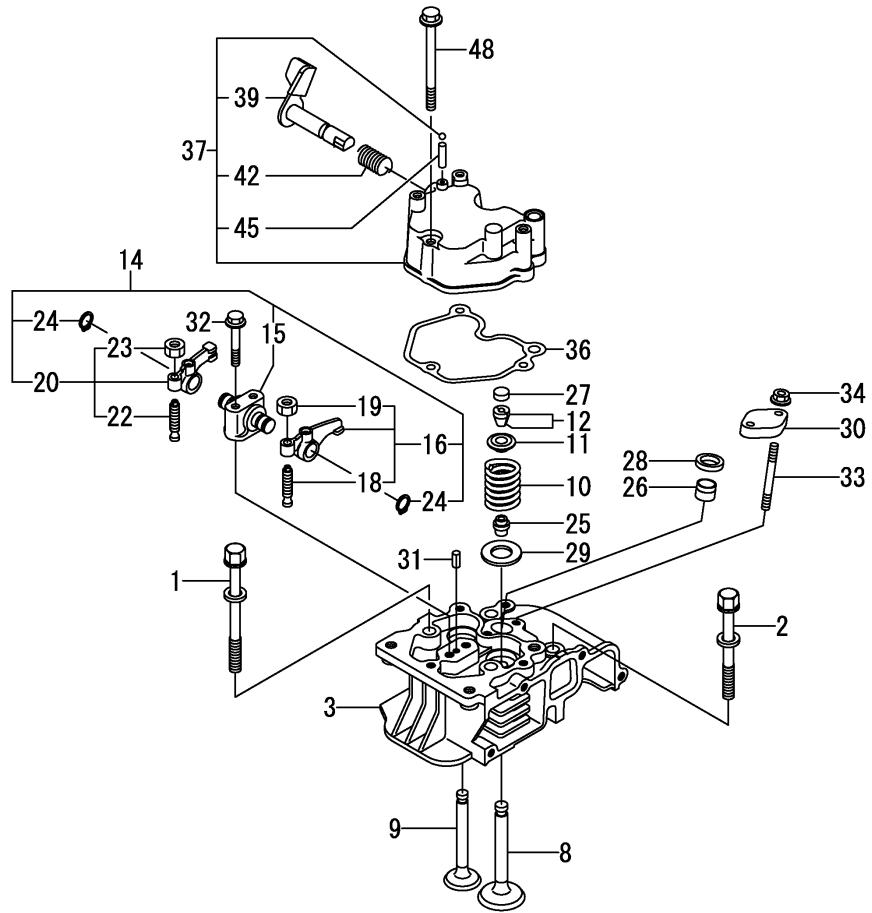


(A)=L70V5EK0C1HAMA
(B)=
(C)=

(D)=
(E)=
(F)=

No.	Lev.	Parts No.	Description	Q'ty						I	R
				(A)	(B)	(C)	(D)	(E)	(F)		
2	1	114299-07111	LABEL, YANMAR MARK B	1							
9	1	114220-07130	LABEL, HOT SURFACE	1							
11	1	114220-07151	LABEL, CONSTANT SPEE	1							

Fig.4. CYLINDER HEAD & BONNET

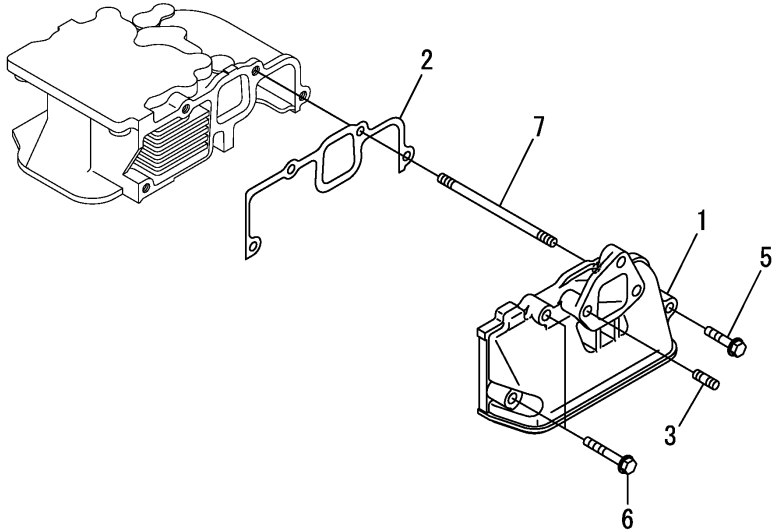


(A)=L70V5EK0C1HAMA
(B)=
(C)=

(D)=
(E)=
(F)=

No.	Lev.	Parts No.	Description	Q'ty						I	R
				(A)	(B)	(C)	(D)	(E)	(F)		
1	1	114210-01200	BOLT, HEAD A	2							
2	1	114210-01210	BOLT, HEAD B	2							
3	1	114211-11020	HEAD, CYLINDER	1							
8	1	11421C-11100	VALVE, INTAKE	1							
9	1	11421C-11110	VALVE, EXHAUST	1							
10	1	114210-11120	SPRING, VALVE	2							
11	1	114210-11180	RETAINER, SPRING	2							
12	1	114210-11930	COTTER ASSY	2							
14	1	11421C-11250	SUPPORT ASSY, ARM	1							
15	2	11421C-11260	SUPPORT, ROCKER ARM	1							
16	2	11421C-11650	ARM ASSY, ROCKER	1							
18	3	114250-11240	SCREW, VALVE ADJUST	1							
19	3	26856-060002	NUT, M6	1							
20	2	11421C-11660	ARM ASSY, ROCKER EXH	1							
22	3	114250-11240	SCREW, VALVE ADJUST	1							
23	3	26856-060002	NUT, M6	1							
24	2	22242-000120	RING, 12	2							
25	1	114350-11341	SEAL, VALVE STEM	2							
26	1	114240-11450	PROTECTOR, NOZZLE	1							
27	1	105010-11490	CAP, VALVE	2							
28	1	114240-11550	SEAT, NOZZLE	1							
29	1	114299-11600	WASHER, VALVE SPRING	2							
30	1	114210-11901	RETAINER, VALVE	1							
31	1	22351-040008	PIN, SPRING 4.0X 8	1							
32	1	26106-060402	BOLT, M6X 40 PLATED	2							
33	1	26226-060552	STUD, M6X 55	2							
34	1	26366-060002	NUT, M6	2							
36	1	114210-11310	GASKET, BONNET	1							
37	1	114210-11950	BONNET ASSY, HEAD	1							
39	2	114210-03590	DECOMPRESSION ASSY	1							
42	2	114299-03640	SPRING, DECOMPRESSION	1							
45	2	22312-030160	PIN, PARALLEL M3X16	1							
48	1	26106-060552	BOLT, M6X 55 PLATED	3							

Fig.5. SUCTION MANIFOLD



(A)=L70V5EK0C1HAMA
(B)=
(C)=

(D)=
(E)=
(F)=

No.	Lev.	Parts No.	Description	Q'ty						I	R
				(A)	(B)	(C)	(D)	(E)	(F)		
1	1	114210-12050	MANIFOLD, INTAKE	1							
2	1	114210-12210	GASKET, AIR CLEANER	1							
3	1	26226-060162	STUD, M6X 16	2							
5	1	26106-060202	BOLT, M6X 20 PLATED	1							
6	1	26106-060302	BOLT, M6X 30 PLATED	2							
7	1	26226-060502	STUD, M6X 50	1							

Fig.6. AIR CLEANER

(A)=L70V5EK0C1HAMA
(B)=
(C)=

(D)=
(E)=
(F)=

No.	Lev.	Parts No.	Description	Q'ty						I	R
				(A)	(B)	(C)	(D)	(E)	(F)		
1	1	114299-12210	GASKET, AIR CLEANER	1							
2	1	114299-12300	NUT	3							
3	1	114250-12550	NUT, WING M6	1							
4	1	114120-12560	CLEANER ASSY, AIR	1							
5	2	114250-12520	COVER, AIR CLEANER	1							
6	2	114250-12560	WASHER, SEAL M6	1							
7	2	114250-12581	ELEMENT, AIR CLEANER	1							
8	2	114250-12980	CASE ASSY, CLEANER	1							

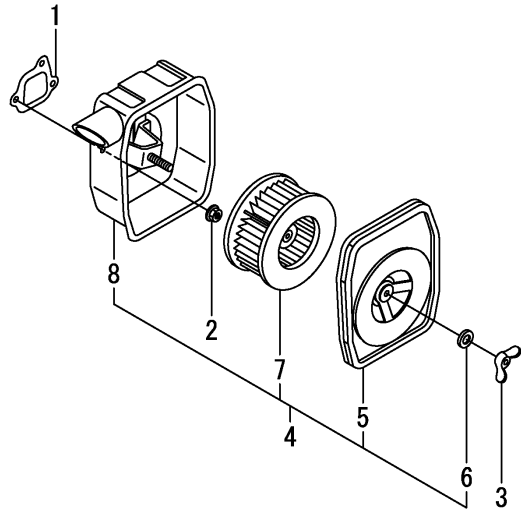


Fig.7. EXHAUST MUFFLER

(A)=L70V5EK0C1HAMA
(B)=
(C)=

(D)=
(E)=
(F)=

No.	Lev.	Parts No.	Description	Q'ty						I	R
				(A)	(B)	(C)	(D)	(E)	(F)		
1	1	114299-13200	GASKET, MUFFLER	1							
2	1	11421C-13500	MUFFLER ASSY	1							
8	1	26106-060142	BOLT, M6X 14 PLATED	2							
10	1	26216-080182	STUD, M8X 18	2							
11	1	26306-080002	NUT, M8	2							

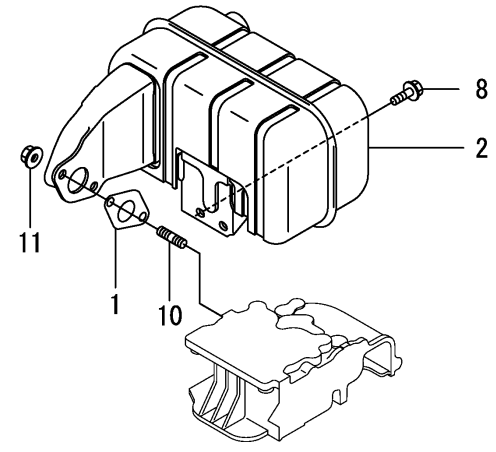
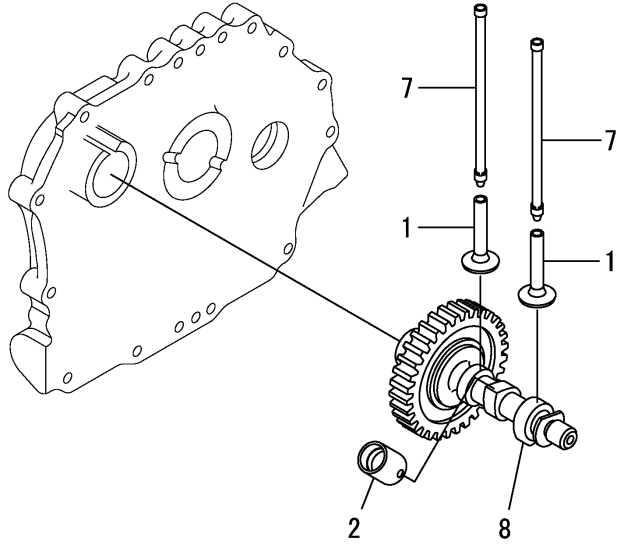


Fig.8. CAMSHAFT

(A)=L70V5EK0C1HAMA
(B)=
(C)=

(D)=
(E)=
(F)=



No.	Lev.	Parts No.	Description	Q'ty						I	R
				(A)	(B)	(C)	(D)	(E)	(F)		
1	1	114210-14200	TAPPET	2							
2	1	114210-14300	TAPPET ASSY, ROLLER	1							
7	1	114210-14400	ROD ASSY, PUSH	2							
8	1	114210-14580	CAMSHAFT ASSY	1							

Fig.9. CRANKSHAFT

(A)=L70V5EK0C1HAMA
 (B)=
 (C)=

(D)=
 (E)=
 (F)=

No.	Lev.	Parts No.	Description	Q'ty						I	R	
				(A)	(B)	(C)	(D)	(E)	(F)			
1	1	11421C-21840	CRANKSHAFT ASSY,E-DG	1								

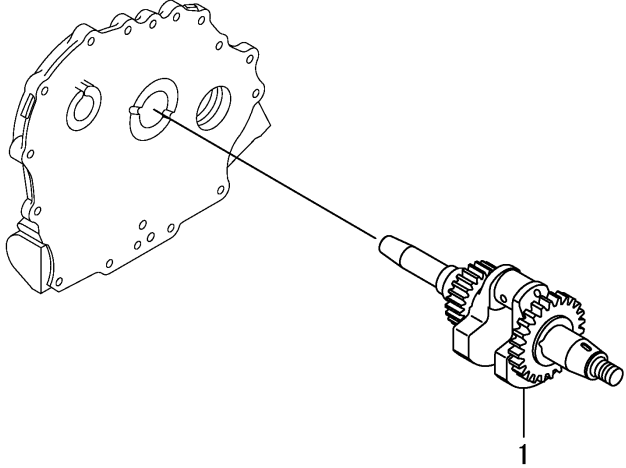
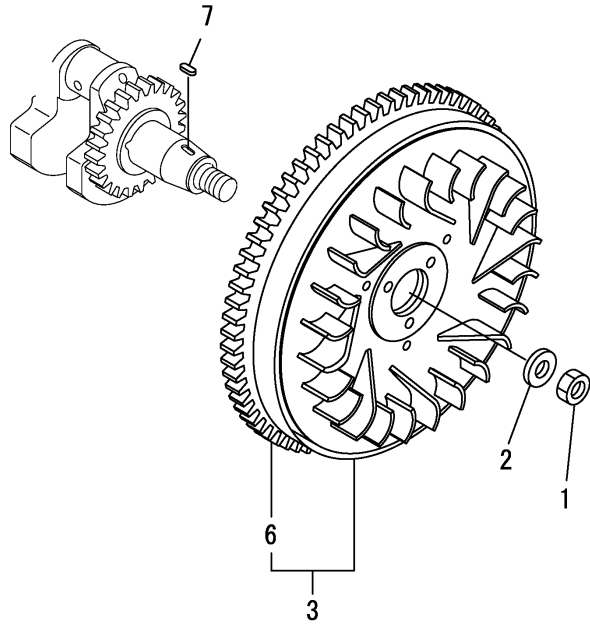


Fig.10. FLYWHEEL



(A)=L70V5EK0C1HAMA
(B)=
(C)=

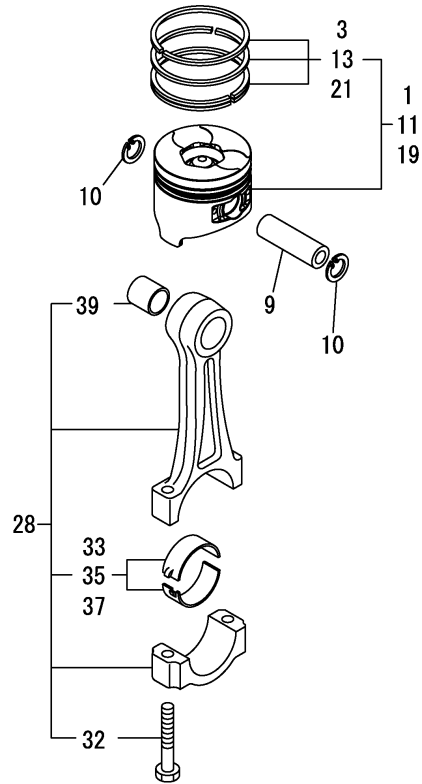
(D)=
(E)=
(F)=

No.	Lev.	Parts No.	Description	Q'ty						I	R
				(A)	(B)	(C)	(D)	(E)	(F)		
1	1	114299-21220	NUT, WHEEL	1							
2	1	114299-21550	WASHER, FLYWHEEL	1							
3	1	114399-21590	FLYWHEEL ASSY, DE	1							
6	2	114399-21600	GEAR, RING	1							
7	1	22512-040120	KEY, 4X 12	1							

Fig.11. PISTON & CONNECTING ROD

(A)=L70V5EK0C1HAMA
(B)=
(C)=

(D)=
(E)=
(F)=



No.	Lev.	Parts No.	Description	Q'ty						I	R
				(A)	(B)	(C)	(D)	(E)	(F)		
1	1	714210-22721	PISTON ASSY, D	1							
3	2	714870-22502	RING SET, PISTON	1							
9	1	114399-22300	PIN, PISTON D=21	1							
10	1	22252-000210	RING, 21	2							
11	1	114240-22040	PISTON ASSY, 0.25 OS	1							1
13	2	114220-22140	RING SET, PISTON .25	1							1
19	1	114240-22050	PISTON ASSY, 0.50 OS	1							2
21	2	114220-22150	RING SET, PISTON .50	1							2
28	1	11422C-23700	ROD ASSY, CONNECTING	1							
32	3	118200-23200	BOLT, CONNECTING ROD	2							
33	2	114840-23600	METAL, CRANK PIN	1							
35	1	114840-23610	METAL, CRANK PIN 0.25	1							1
37	1	114840-23620	METAL, CRANK PIN 0.50	1							2
39	1	114840-23910	BUSH, PISTON PINN	1							3

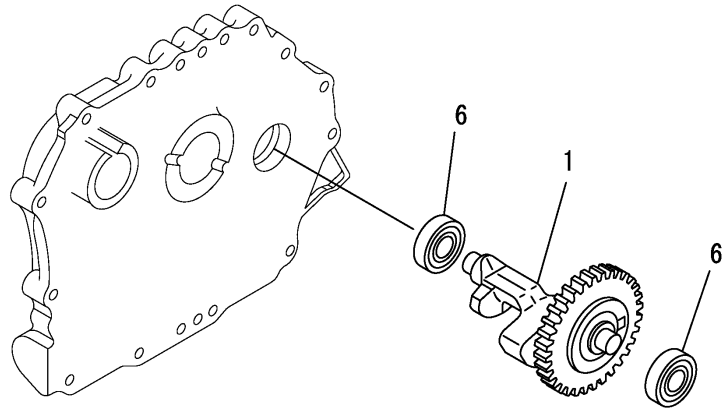
Remarks

- (1)Over-sized(O.S.=0.25) parts.
- (2)Over-sized(O.S.=0.50) parts.
- (3)Spare parts.

Fig.12. BALANCER SHAFT

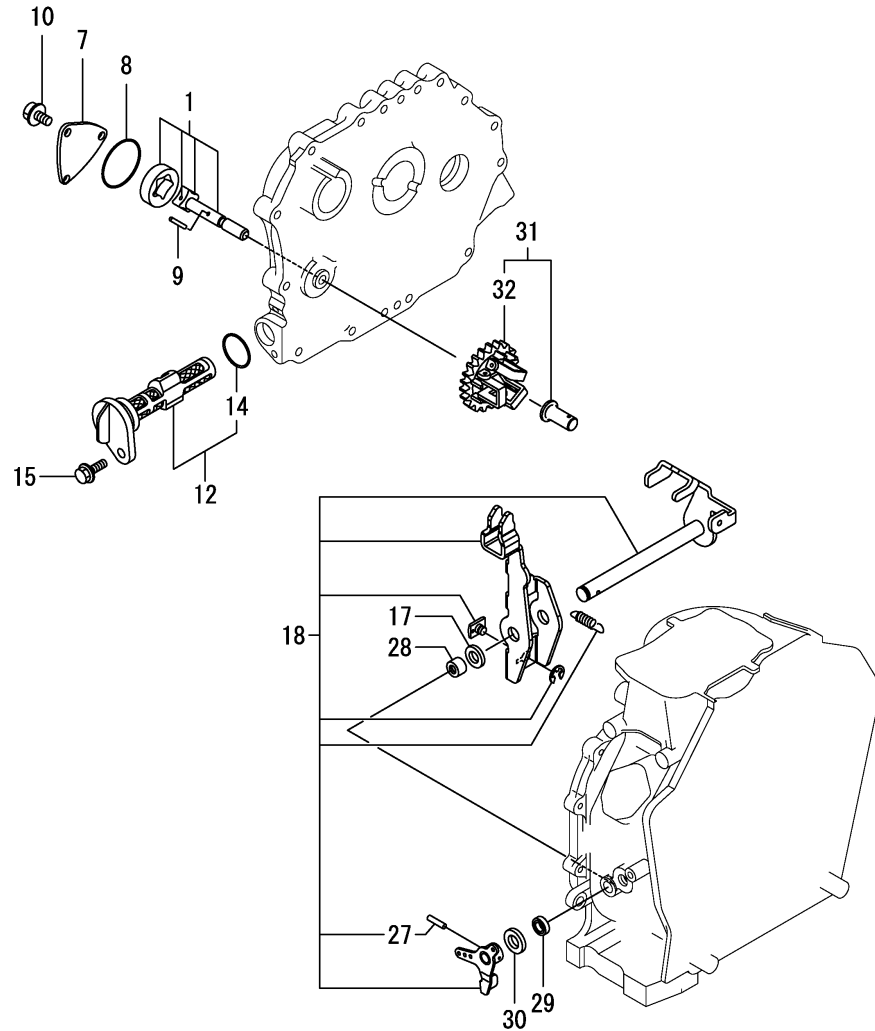
(A)=L70V5EK0C1HAMA
 (B)=
 (C)=

(D)=
 (E)=
 (F)=



No.	Lev.	Parts No.	Description	Q'ty						I	R
				(A)	(B)	(C)	(D)	(E)	(F)		
1	1	714210-28510	SHAFT ASSY, BALANCER	1							
6	1	114210-28050	BEARING, 6203	2							

Fig.13. LUB. OIL PUMP & GOVERNOR



(A)=L70V5EK0C1HAMA
(B)=
(C)=

(D)=
(E)=
(F)=

No.	Lev.	Parts No.	Description	Q'ty						I	R
				(A)	(B)	(C)	(D)	(E)	(F)		
1	1	114250-32010	PUMP ASSY, OIL	1							
7	1	114299-32070	COVER, OIL PUMP	1							
8	1	114299-32570	O-RING, PUMP COVER	1							
9	1	22312-030160	PIN, PARALLEL M3X16	1							
10	1	26106-060122	BOLT, M6X 12 PLATED	3							
12	1	114299-35110	FILTER ASSY, OIL	1							
14	2	24341-000224	O-RING, 1AS22.4	1							
15	1	26106-060162	BOLT, M6X 16 PLATED	1							
17	1	114299-61190	WASHER, GOVERNOR	1							
18	1	114211-61500	LEVER ASSY, GOVERNOR	1							1
27	2	22322-030200	PIN, TAPER 3X20	1							
28	1	114770-61520	BEARING, NEEDLE	2							
29	1	114299-61600	SEAL, OIL	1							
30	1	114770-61610	WASHER, THRUST	1							
31	1	714210-61701	GOVERNOR ASSY	1							
32	2	114210-61290	WEIGHT ASSY,GOVERNOR	1							

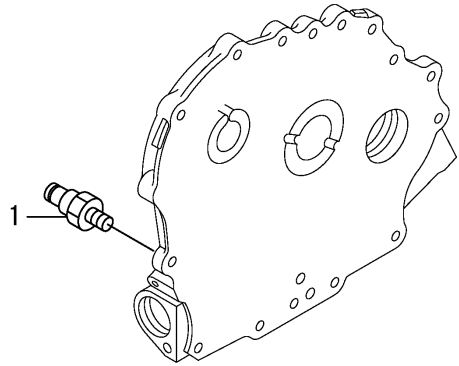
Remarks

(1)On a guarantee of quality, component parts shall not be sold.

Fig.14. SWITCH(OIL PRESSURE)

(A)=L70V5EK0C1HAMA
(B)=
(C)=

(D)=
(E)=
(F)=

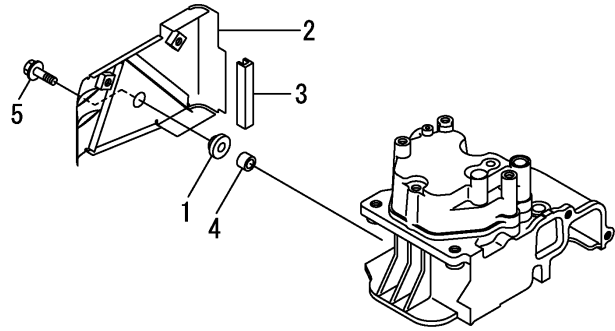


No.	Lev.	Parts No.	Description	Q'ty						I	R	
				(A)	(B)	(C)	(D)	(E)	(F)			
1	1	183250-39450	SWITCH, PRESSURE	1								

Fig.15. COVER

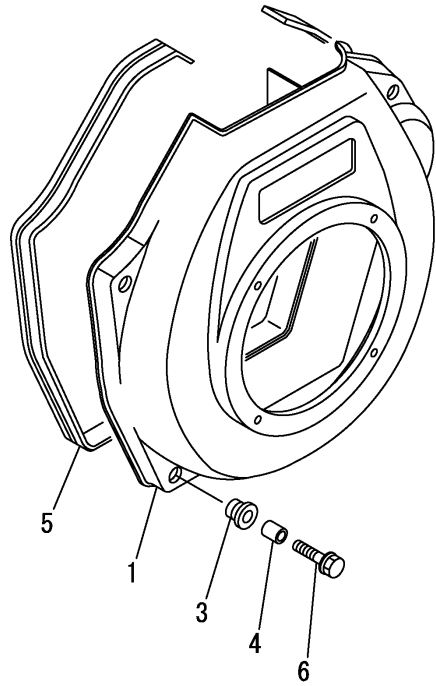
(A)=L70V5EK0C1HAMA
(B)=
(C)=

(D)=
(E)=
(F)=



No.	Lev.	Parts No.	Description	Q'ty						I	R
				(A)	(B)	(C)	(D)	(E)	(F)		
1	1	114299-45220	GROMMET, TANK	1							
2	1	114210-45260	COVER, SIDE B	1							
3	1	114399-45320	RUBBER, SEAL	1							
4	1	114399-45340	COLLAR	1							
5	1	26106-060202	BOLT, M6X 20 PLATED	1							

Fig.16. COOLING FAN CASE

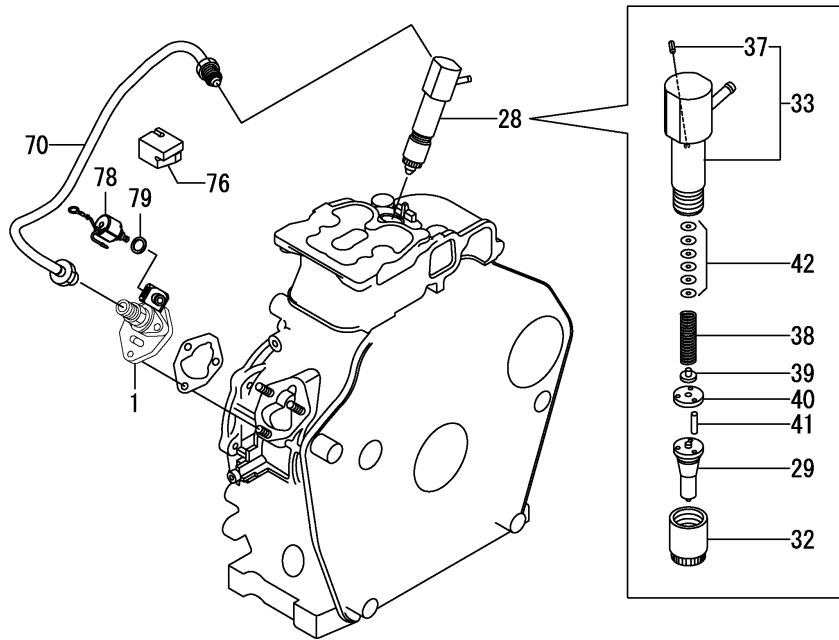


(A)=L70V5EK0C1HAMA
(B)=
(C)=

(D)=
(E)=
(F)=

No.	Lev.	Parts No.	Description	Q'ty						I	R
				(A)	(B)	(C)	(D)	(E)	(F)		
1	1	114210-45150	CASE, COOLING FAN	1							
3	1	114299-45301	RUBBER, FAN CASE	4							
4	1	114299-45310	COLLAR, FAN CASE	4							
5	1	114299-45331	SEAL, FAN CASE	1							
6	1	114299-45350	BOLT, FAN CASE	4							

Fig.17. FUEL INJECTION PUMP & FUEL INJECTION VALVE



(A)=L70V5EK0C1HAMA
(B)=
(C)=

(D)=
(E)=
(F)=

No.	Lev.	Parts No.	Description	Q'ty						I	R
				(A)	(B)	(C)	(D)	(E)	(F)		
1	1	714249-51610	FOP ASSY, 7VWD	1							1
28	1	714249-53100	VALVE ASSY,INJECTION	1							
29	2	114249-53000	VALVE ASSY,INJECTION	1							
32	2	114250-53080	NUT, NOZZLE	1							
33	2	114339-53100	HOLDER ASSY, NOZZLE	1							
37	3	22351-025005	PIN, SPRING 2.5X 6	1							
38	2	114250-53120	SPRING, NOZZLE	1							
39	2	114250-53130	SEAT, SPRING	1							
40	2	114250-53140	SPACER, VALVE STOP	1							
41	2	114250-53210	PIN, POSITIONING	2							
42	2	119803-53400	SHIM SET	1							
70	1	114210-59800	PIPE ASSY, INJECTION	1							
76	1	114210-59850	SUPPORT, PIPE	1							
78	1	114110-76910	VALVE ASSY, FUEL CUT	1							
79	1	114299-83020	GASKET, 10X1.2	1							

Remarks

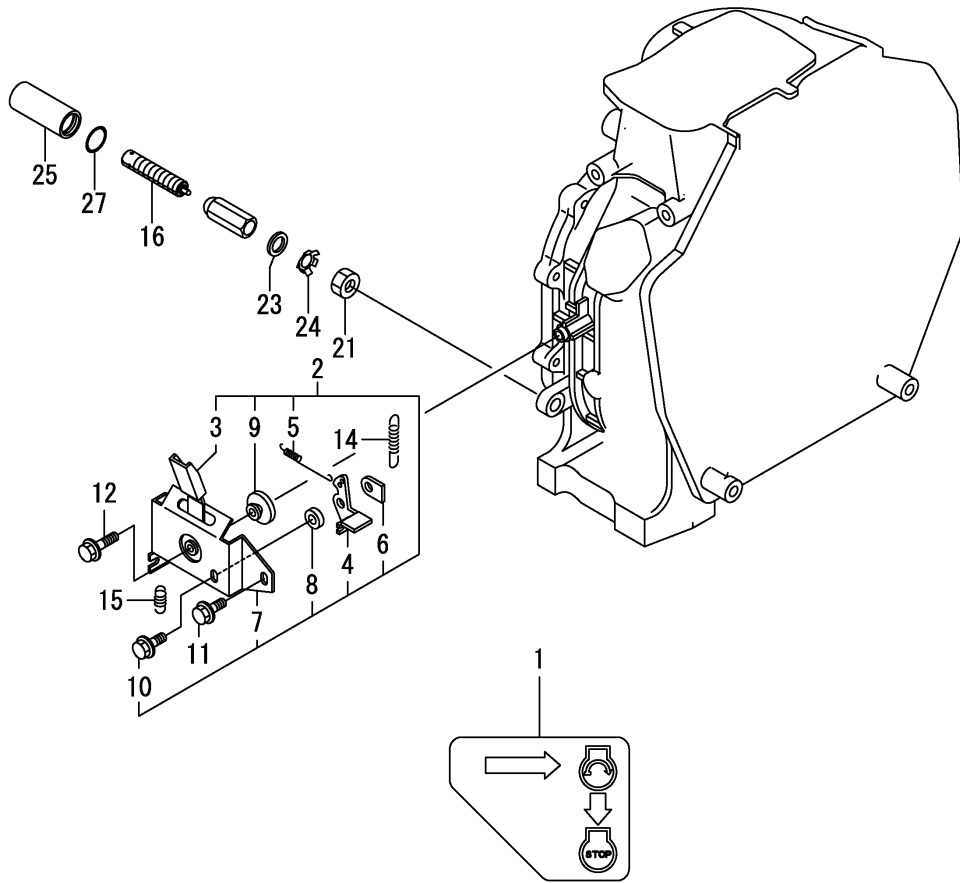
(1)On a guarantee of quality, component parts shall not be sold.

N:Old $\xrightarrow{\text{Yes}}$ New, Q:Old $\xrightarrow{\text{No}}$ New, R:Old $\xrightarrow{\text{Yes}}$ New, S:Old $\xrightarrow{\text{No}}$ New, W:Add, Z:Discontinued, F:Interchangeable by set, K:Q'ty Change

Fig.18. CONTROL DEVICE

(A)=L70V5EK0C1HAMA
(B)=
(C)=

(D)=
(E)=
(F)=

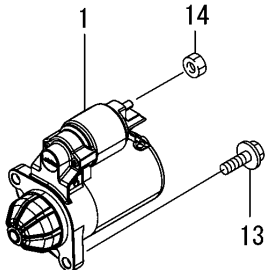
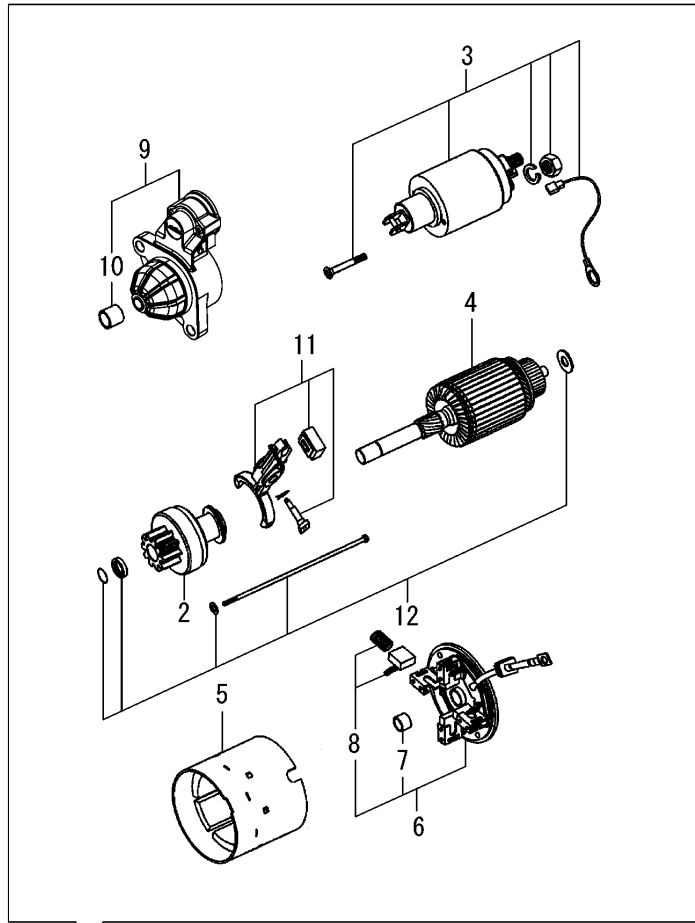


No.	Lev.	Parts No.	Description	Q'ty						I	R
				(A)	(B)	(C)	(D)	(E)	(F)		
1	1	114220-07151	LABEL, CONSTANT SPEE	1							
2	1	114210-66511	BRACKET ASSY, HANDLE	1							
3	2	114210-66300	HANDLE, REGULATOR	1							
4	2	183250-66321	LEVER, LOCK	1							
5	2	114210-66330	SPRING, LOCK LEVER	1							
6	2	183250-66341	NUT, DETENT M6	1							
7	2	114210-66350	BRACKET, HANDLE	1							
8	2	183250-66361	COLLAR, LOCK LEVER	1							
9	2	183250-66371	COLLAR, LEVER	1							
10	2	26106-060162	BOLT, M6X 16 PLATED	1							
11	1	26106-060142	BOLT, M6X 14 PLATED	1							
12	1	26106-060202	BOLT, M6X 20 PLATED	1							
14	1	114220-66020	SPRING, REGULATOR	1							
15	1	114299-66201	SPRING, RETURN	1							
16	1	114211-66600	LIMITER ASSY, FUEL	1							
21	1	26776-100002	NUT, LOCK M10	1							
23	1	114771-61800	WASHER, PLAIN 10	1							
24	1	114771-61820	PLATE	1							
25	1	114771-61900	PROTECTOR	1							
27	1	24311-000125	O-RING, 1AP12.5	1							

Fig.19. STARTER MOTOR

(A)=L70V5EK0C1HAMA
(B)=
(C)=

(D)=
(E)=
(F)=



No.	Lev.	Parts No.	Description	Q'ty						I	R
				(A)	(B)	(C)	(D)	(E)	(F)		
1	1	114320-77010	MOTOR ASSY, STARTER	1							
2	2	114399-77040	CLUTCH ASSY, PINION	1							
3	2	114399-77060	SWITCH ASSY, MAGNET	1							
4	2	114320-77110	ARMATURE ASSY	1							
5	2	114320-77130	YOKE ASSY	1							
6	2	114399-77140	COVER ASSY, REAR	1							
7	3	114399-77050	BUSH, REAR	1							
8	3	114399-77160	HOLDER ASSY, BRUSH	4							
9	2	114399-77150	CASE ASSY, GEAR	1							
10	3	114399-77030	BUSH, TOP	1							
11	2	114399-77180	LEVER KIT, SHIFT	1							
12	2	114320-77770	BOLT ASSY, THROUGH	2							
13	1	26106-100302	BOLT, M10X 30 PLATED	2							
14	1	26716-080002	NUT, M8	1							

Fig.20. ELECTRIC PARTS

(A)=L70V5EK0C1HAMA
 (B)=
 (C)=

(D)=
 (E)=
 (F)=

No.	Lev.	Parts No.	Description	Q'ty						I	R
				(A)	(B)	(C)	(D)	(E)	(F)		
1	1	114399-77560	REGULATOR ASSY	1							
2	2	114399-77410	BRACKET, HARNESS	1							
3	2	114399-77720	REGULATOR	1							
4	3	114399-78000	FUSE, 20A	1							
5	2	26023-040102	SCREW, M4X10	2							
6	1	26106-060122	BOLT, M6X 12 PLATED	2							
7	1	26106-060202	BOLT, M6X 20 PLATED	2							

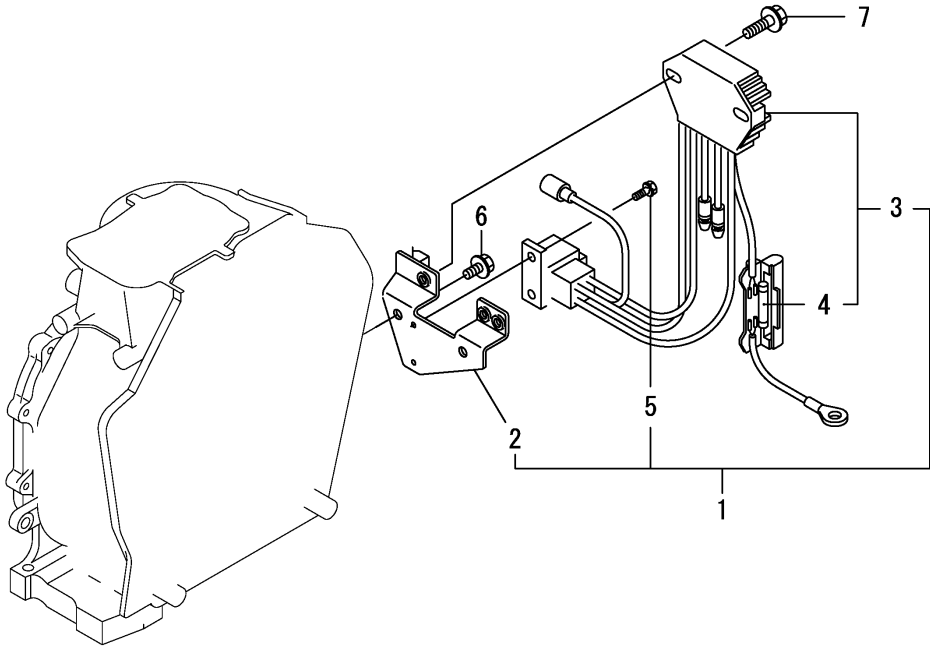
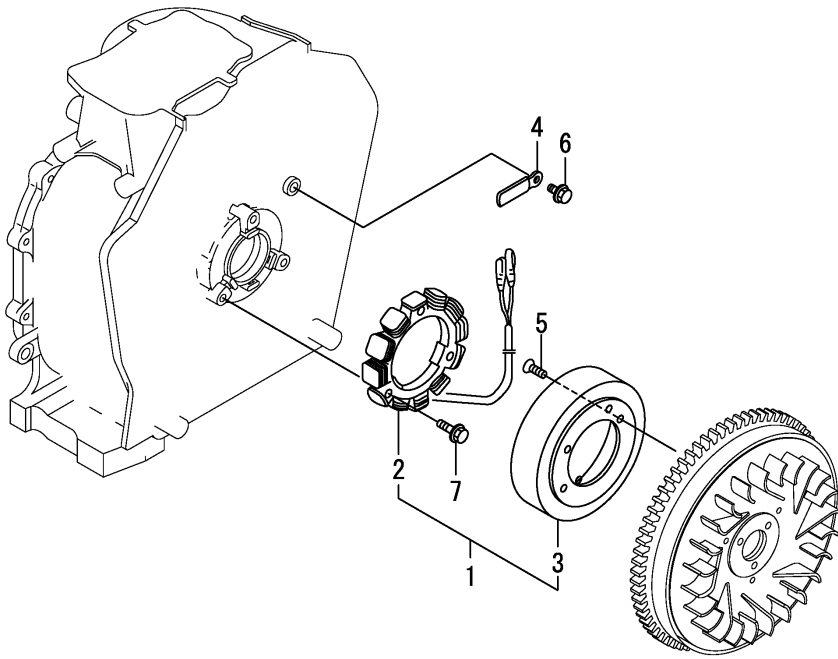


Fig.21. DYNAMO



(A)=L70V5EK0C1HAMA
(B)=
(C)=

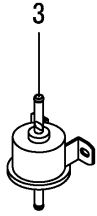
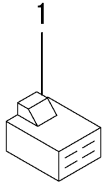
(D)=
(E)=
(F)=

No.	Lev.	Parts No.	Description	Q'ty						I	R
				(A)	(B)	(C)	(D)	(E)	(F)		
1	1	114399-78280	DINAMO ASSY, 15A	1							
2	2	114399-78770	STATOR ASSY	1							
3	2	114399-78780	WHEEL, DYNAMO	1							
4	1	160710-78710	CLAMP, CORD	1							
5	1	114210-78800	SCREW, M6	3							
6	1	26106-060122	BOLT, M6X 12 PLATED	1							
7	1	26106-060202	BOLT, M6X 20 PLATED	3							

Fig.22. ACCESSORY

(A)=L70V5EK0C1HAMA
(B)=
(C)=

(D)=
(E)=
(F)=

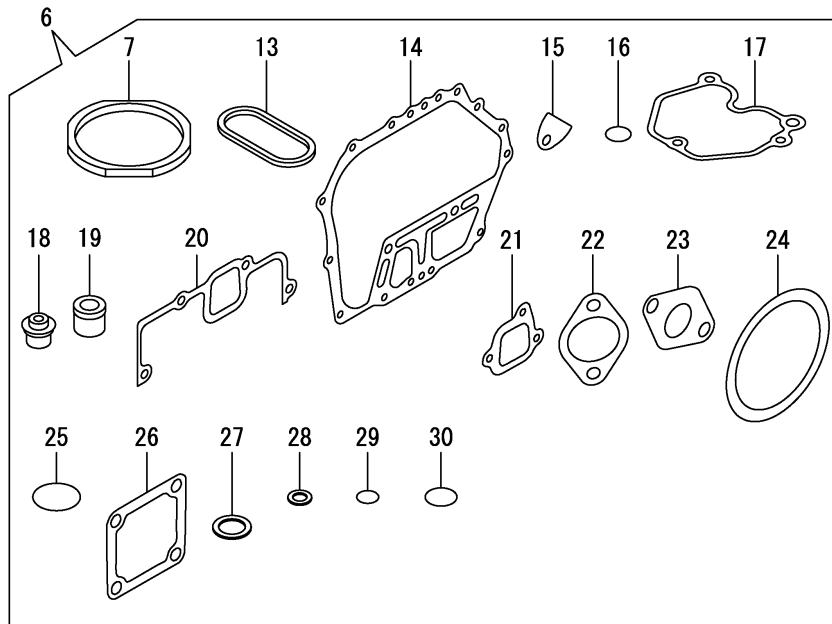
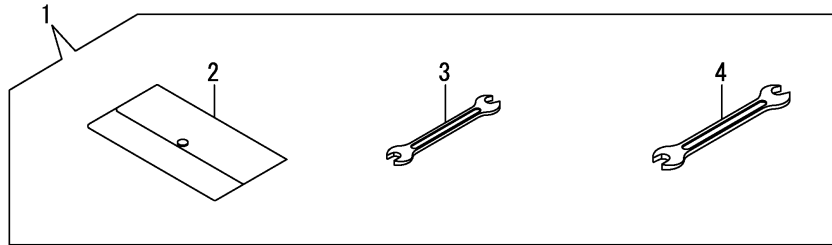


No.	Lev.	Parts No.	Description	Q'ty						I	R
				(A)	(B)	(C)	(D)	(E)	(F)		
1	1	114351-77520	COUPLER	1							
3	1	119225-52102	PUMP, FUEL FEED	1							
5	1	114299-59850	ORIFICE, FUEL	1							

Fig.23. GASKET SET & TOOL

(A)=L70V5EK0C1HAMA
(B)=
(C)=

(D)=
(E)=
(F)=



No.	Lev.	Parts No.	Description	Q'ty						I	R
				(A)	(B)	(C)	(D)	(E)	(F)		
1	1	114299-92590	TOOL ASSY	1							
2	2	114299-92600	BAG, TOOL	1							
3	2	114299-92710	WRENCH	1							
4	2	114299-92720	WRENCH	1							
6	1	114220-92600	GASKET SET	1							1
7	2	114395-01331	GASKET, HEAD	1							
13	2	114399-01380	O-RING, TAPPET	1							
14	2	114399-01410	GASKET, CASE COVER	1							
15	2	114250-01841	GASKET, COVER	1							
16	2	114299-01950	O-RING, 18	2							
17	2	114210-11310	GASKET, BONNET	1							
18	2	114350-11341	SEAL, VALVE STEM	2							
19	2	114771-11461	GASKET, NOZZLE	1							
20	2	114210-12210	GASKET, AIR CLEANER	1							
21	2	114299-12210	GASKET, AIR CLEANER	2							
22	2	114299-12920	GASKET, AIR CLEANER	1							
23	2	114299-13200	GASKET, MUFFLER	1							
24	2	114399-21980	GASKET	1							
25	2	114299-32570	O-RING, PUMP COVER	1							
26	2	129100-77510	GASKET, AIR HEATER	3							
27	2	22190-160002	WASHER, SEAL 16	2							
28	2	23414-080000	GASKET, 8X1.0	1							
29	2	24341-000150	O-RING, 1AS15.0	1							
30	2	24341-000224	O-RING, 1AS22.4	1							

Remarks

(1)Optional parts.

Parts No. Index

Parts No.	Fig. No.	Ref. No.
105010-11490	4	27
114110-76910	17	78
114120-12560	6	4
114210-01020	1	1
114210-01200	4	1
114210-01210	4	2
114210-03590	4	39
114210-11120	4	10
114210-11180	4	11
114210-11310	4	36
	23	17
114210-11901	4	30
114210-11930	4	12
114210-11950	4	37
114210-12050	5	1
114210-12210	5	2
	23	20
114210-14200	8	1
114210-14300	8	2
114210-14400	8	7
114210-14580	8	8
114210-28050	12	6
114210-45150	16	1
114210-45260	15	2
114210-59800	17	70
114210-59850	17	76
114210-61290	13	32
114210-66300	18	3
114210-66330	18	5
114210-66350	18	7
114210-66511	18	2
114210-78800	21	5
114211-01450	1	35
114211-11020	4	3
114211-61500	13	18
114211-66600	18	16
11421C-11100	4	8
11421C-11110	4	9
11421C-11250	4	14
11421C-11260	4	15
11421C-11650	4	16
11421C-11660	4	20
11421C-13500	7	2
11421C-21840	9	1
114220-07130	3	9
114220-07151	3	11
	18	1
114220-22140	11	13
114220-22150	11	21
114220-66020	18	14

Parts No.	Fig. No.	Ref. No.
114220-92600	23	6
11422C-23700	11	28
114240-11450	4	26
114240-11550	4	28
114240-22040	11	11
114240-22050	11	19
114249-53000	17	29
114250-01841	1	27
	23	15
114250-11240	4	18
		22
114250-12520	6	5
114250-12550	6	3
114250-12560	6	6
114250-12581	6	7
114250-12980	6	8
114250-32010	13	1
114250-53080	17	32
114250-53120	17	38
114250-53130	17	39
114250-53140	17	40
114250-53210	17	41
114299-01600	1	12
114299-01690	2	1
114299-01800	1	13
114299-01830	1	26
114299-01950	2	4
	23	16
114299-02030	1	45
114299-03640	4	42
114299-07111	3	2
114299-11600	4	29
114299-12210	6	1
	23	21
114299-12300	6	2
114299-12920	23	22
114299-13200	7	1
	23	23
114299-21220	10	1
114299-21550	10	2
114299-32070	13	7
114299-32570	13	8
	23	25
114299-35110	13	12
114299-35150	1	40
114299-45220	15	1
114299-45301	16	3
114299-45310	16	4
114299-45331	16	5
114299-45350	16	6

Parts No.	Fig. No.	Ref. No.
114299-59850	22	5
114299-61190	13	17
114299-61600	13	29
114299-66201	18	15
114299-83020	17	79
114299-92590	23	1
114299-92600	23	2
114299-92710	23	3
114299-92720	23	4
114320-77010	19	1
114320-77110	19	4
114320-77130	19	5
114320-77770	19	12
114339-53100	17	33
114350-02113	1	46
114350-11341	4	25
	23	18
114351-77520	22	1
114395-01331	1	5
	23	7
114399-01380	1	11
	23	13
114399-01410	1	34
	23	14
114399-21590	10	3
114399-21600	10	6
114399-21980	23	24
114399-22300	11	9
114399-45320	15	3
114399-45340	15	4
114399-77030	19	10
114399-77040	19	2
114399-77050	19	7
114399-77060	19	3
114399-77140	19	6
114399-77150	19	9
114399-77160	19	8
114399-77180	19	11
114399-77410	20	2
114399-77560	20	1
114399-77720	20	3
114399-78000	20	4
114399-78280	21	1
114399-78770	21	2
114399-78780	21	3
114699-01760	2	2
114770-61520	13	28
114770-61610	13	30
114771-11461	23	19
114771-61800	18	23

Parts No.	Fig. No.	Ref. No.
114771-61820	18	24
114771-61900	18	25
114840-02110	1	38
114840-02200	1	42
114840-02210	1	43
114840-23600	11	33
114840-23610	11	35
114840-23620	11	37
114840-23910	11	39
118200-23200	11	32
119225-52102	22	3
119803-53400	17	42
129100-77510	23	26
160110-02220	1	47
		48
160710-78710	21	4
183250-39450	14	1
183250-66321	18	4
183250-66341	18	6
183250-66361	18	8
183250-66371	18	9
22190-160002	2	5
	23	27
22242-000120	4	24
22252-000210	11	10
22312-030160	4	45
	13	9
22312-040080	1	28
22322-030200	13	27
22351-025005	17	37
22351-040008	4	31
22512-040120	10	7
23414-080000	23	28
23875-020000	1	29
24162-152116	1	49
24311-000125	18	27
24341-000150	23	29
24341-000224	13	14
	23	30
26023-040102	20	5
26106-060122	13	10
	20	6
	21	6
26106-060142	7	8
	18	11
26106-060162	13	15
	18	10
26106-060202	5	5
	15	5
	18	12

Parts No. Index

Parts No.	Fig. No.	Ref. No.
26106-060202	20	7
	21	7
26106-060302	5	6
26106-060402	4	32
26106-060552	4	48
26106-080122	1	50
26106-080352	1	41
26106-100302	19	13
26216-080182	7	10
26226-060162	5	3
26226-060182	1	30
26226-060222	1	31
26226-060502	5	7
26226-060552	4	33
26306-080002	7	11
26366-060002	1	32
	4	34
26716-080002	19	14
26776-100002	18	21
26856-060002	4	19
		23
714210-22721	11	1
714210-28510	12	1
714210-61701	13	31
714249-51610	17	1
714249-53100	17	28
714870-22502	11	3

Parts No.	Fig. No.	Ref. No.
-----------	----------	----------

Parts No.	Fig. No.	Ref. No.
-----------	----------	----------

Parts No.	Fig. No.	Ref. No.
-----------	----------	----------